

Technical Service Data

Service and Quality
Service Publications Dept.
One Philips Drive
P.O. Box 14810
Knoxville, TN 37914

Pg. SCHEMATIC DIAGRAMS AND PC BOARDS

- | | |
|---|--|
| 1. WIRING DIAGRAM | 22. FRONT CIRCUIT CBA (COMPONENT SIDE) |
| 2. CONTROL CIRCUIT SCHEMATIC | 23. FRONT CIRCUIT CBA (SMD SIDE) |
| 3. FRONT CIRCUIT SCHEMATIC | 24. HEADPHONE CIRCUIT CBA (COMPONENT SIDE) |
| 4. HEADPHONE CIRCUIT SCHEMATIC | 25. HEADPHONE CIRCUIT CBA (SMD SIDE) |
| 5. KEY CDC SCHEMATIC | 26. KEY CDC CBA (COMPONENT SIDE) |
| 6. BLUE STRIP LED SCHEMATIC | 27. KEY CDC (SMD SIDE) |
| 7. FTD DISPLAY | 28. ECO5 TUNER CBA (COMPONENT SIDE) |
| 8. ECO5 TUNER SCHEMATIC | 29. ECO5 TUNER CBA (SMD SIDE) |
| 9. TAPE WIRING DIAGRAM | 30. TAPE CIRCUIT CBA (COMPONENT SIDE) |
| 10. TAPE ANALOG CIRCUIT SCHEMATIC | 31. TAPE CIRCUIT CBA (SMD SIDE) |
| 11. TAPE SERVO CIRCUIT SCHEMATIC | 32. 3CDC CIRCUIT CBA (COMPONENT & SMD) |
| 12. 3CDC CIRCUIT SCHEMATIC PART 1 | 33. MAINS TRANSFORMER CBA |
| 13. 3CDC CIRCUIT SCHEMATIC PART 2 | 34. COMBI BOARD MAIN CBA (COMPONENT SIDE) |
| 14. AF8 SCHEMATIC PART 1 | 35. COMBI BOARD MAIN CBA (SMD SIDE) |
| 15. AF8 SCHEMATIC PART 2 | 36. AF8 CBA (COMPONENT SIDE) |
| 16. POWER 5-VA SUPPLY WIRING DIAGRAM | 37. AF8 CBA (SMD SIDE) |
| 17. POWER 5-VA SUPPLY (70/100 WATT) SCHEMATIC | 38. L/R AMP CBA (COMPONENT SIDE) |
| 18. POWER SUPPLY CDR SCHEMATIC | 39. L/R AMP CBA (SMD SIDE) |
| 19. L/R AMP SCHEMATIC | 40. MAINS CBA |
| 20. CONTROL CIRCUIT CBA (COMPONENT SIDE) | |
| 21. CONTROL CIRCUIT CBA (SMD SIDE) | |

REFER TO SAFETY GUIDELINES

SAFETY NOTICE: ANY PERSON ATTEMPTING TO SERVICE THIS CHASSIS MUST FAMILIARIZE HIMSELF WITH THE CHASSIS AND BE AWARE OF THE NECESSARY SAFETY PRECAUTIONS TO BE USED WHEN SERVICING ELECTRONIC EQUIPMENT CONTAINING HIGH VOLTAGES.

CAUTION: USE A SEPARATE ISOLATION TRANSFORMER FOR THIS UNIT WHEN SERVICING

Technical Service Data

Model no.: FWC85C37
First Publish: 7-10-2000
Rev. Date: 7-2-2001
Print Date: 21.11.2005

Service and Quality
Service Publications Dept.
One Philips Drive
P.O. Box 14810
Knoxville, TN 37914

Mechanical Assembly

REFER TO SAFETY GUIDELINES

SAFETY NOTICE: ANY PERSON ATTEMPTING TO SERVICE THIS CHASSIS MUST FAMILIARIZE HIMSELF WITH THE CHASSIS AND BE AWARE OF THE NECESSARY SAFETY PRECAUTIONS TO BE USED WHEN SERVICING ELECTRONIC EQUIPMENT CONTAINING HIGH VOLTAGES.

CAUTION: USE A SEPARATE ISOLATION TRANSFORMER FOR THIS UNIT WHEN SERVICING

WARNING

CHARGED CAPACITORS ON THE SERVO BOARD MAY DAMAGE THE CD DRIVE ELECTRONICS WHEN CONNECTING A NEW CDM MECHANISM. THAT'S WHY, BESIDES THE SAFETY MEASURES LIKE

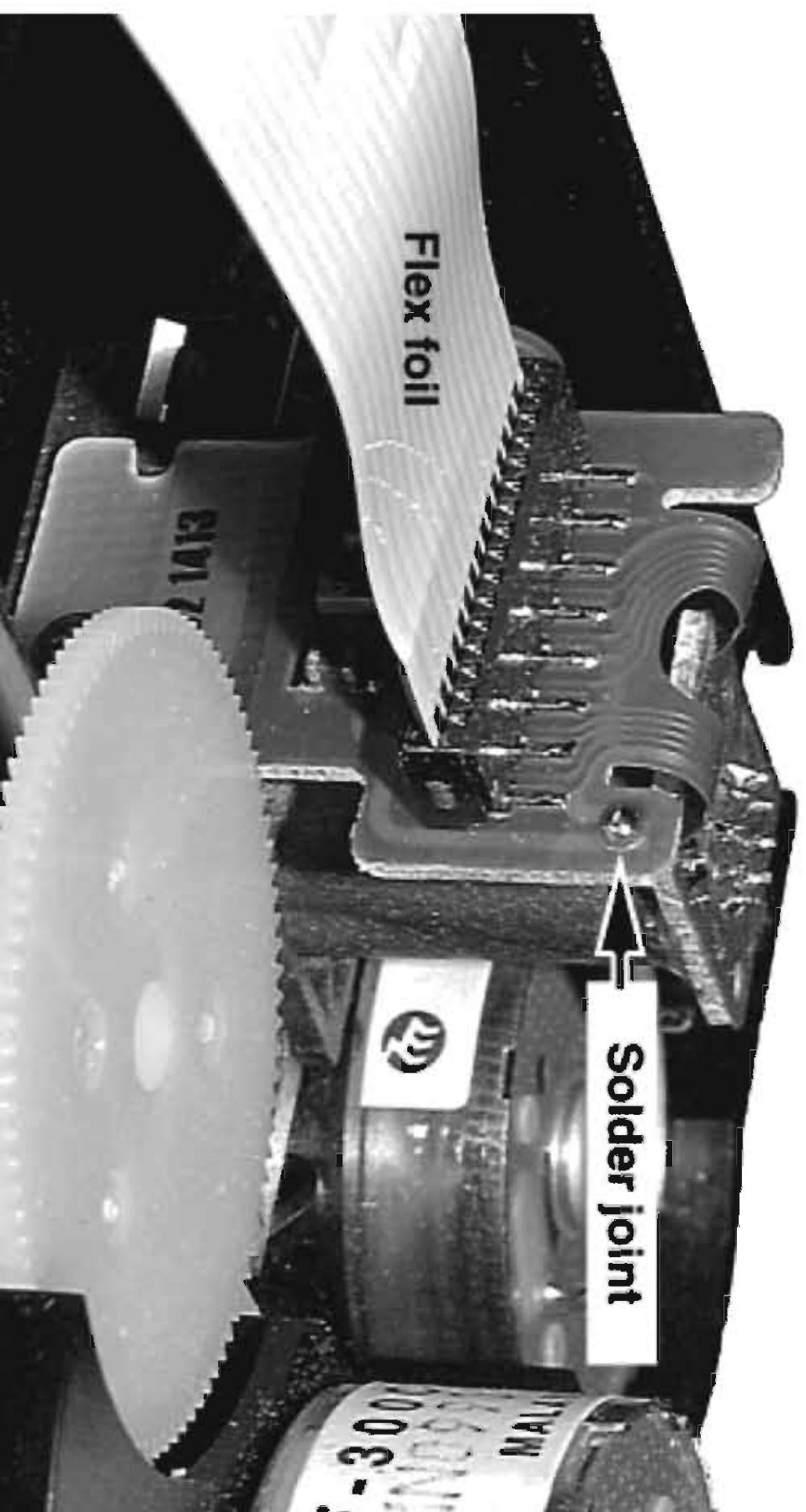
- SWITCH OFF POWER SUPPLY
- ESD PROTECTION

ADDITIONAL ACTIONS MUST BE TAKEN BY THE REPAIR TECHNICIAN.

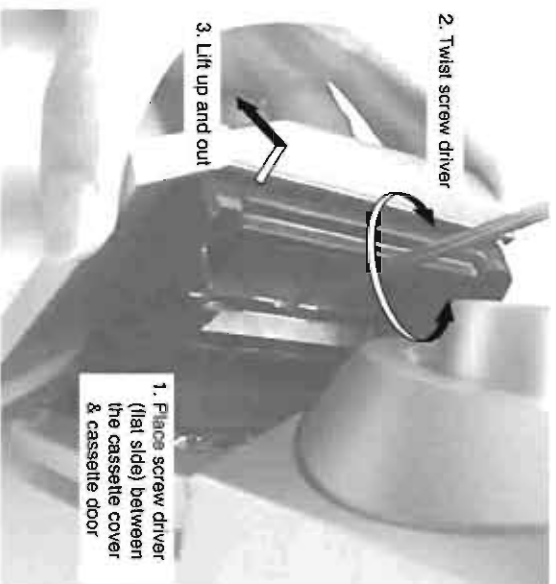
The following steps have to be done when replacing the CD

Attention: The laser diode of this CD drive is protected against ESD by a solder joint which shortcircuits the laserdiode to ground.

For proper functionality of the CD drive this solder joint must be removed **after** connection the drive to the set.



Dismantling of the Cassette Cover



2. Twist screw driver
3. Lift up and out

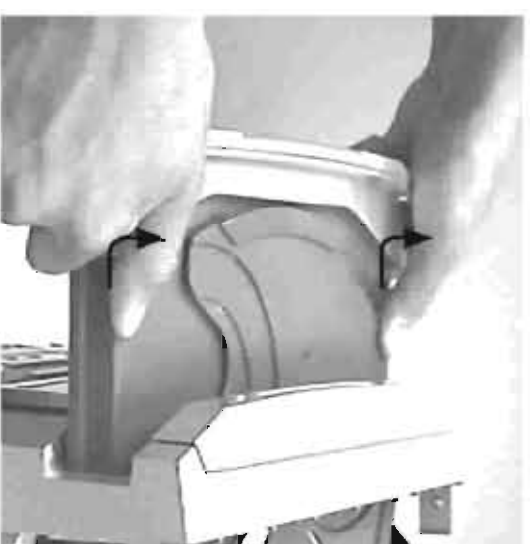
1. Place screw driver (flat side) between the cassette cover & cassette door

Remove Cassette Cover

Cassette Cover

Dismantling of the CDC Module and Front Panel

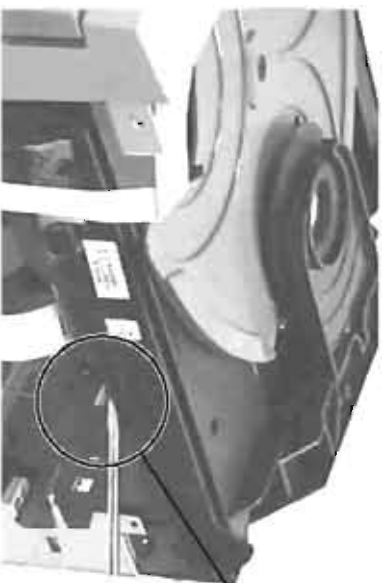
- 3) Remove the Cover Tray CDC (pos 106) as indicated.



Remove Cover Tray CDC

Dismantling of the CDC Module and Front Panel

- 1) Loosen 16 screws to remove the Cabinet Rear (pos 259) of the set :
 - 5 screws each on the left side & right side of the Cabinet Rear.
 - 6 screws at the rear of the Cabinet Rear.
- 2) Slide out the CDC Tray as shown in the diagram below with the help of a flat head screw driver.



Sliding Out The CDC Tray

- 4) Loosen 2 screws A and 2 screws B to remove the CDC Module (pos 1104) as indicated.
- 5) Remove 1 screw (pos 305) at the bottom to separate the Front Panel Assembly from the Plate Bottom (pos 236).



Front View CDC



Remove CDC Module

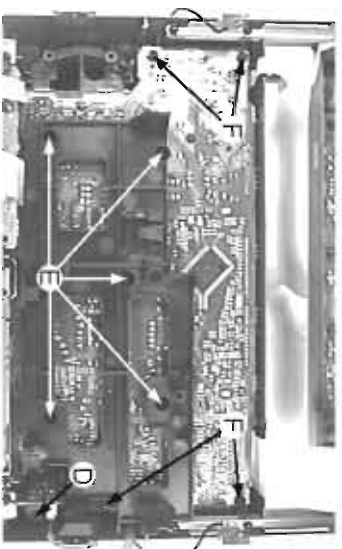
Dismantling of the Front Board

- 1) Remove 1 screw C as indicated to loosen the Dolby Pro logic Board (pos 1108).
- 2) Remove 1 screw D as indicated to loosen the Headphone Board (pos 1100-E).
- 3) Remove 5 screws E as indicated to loosen the Plate Front (pos 254).
- 4) Remove 4 screws F as indicated to loosen the Front Board (pos 1100-A).
- 5) Remove 5 screws H as indicated to loosen the Control Board (pos 1100-B).
- 6) Remove 1 screw Q as indicated to loosen the Blue Strip LED Board (pos 1100-F).



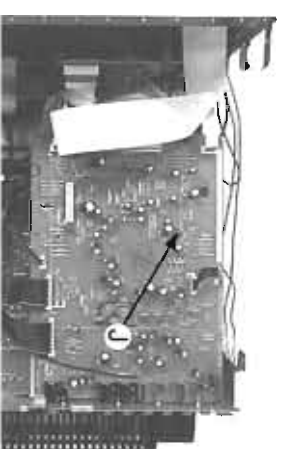
Remove Dolby Pro logic (DPL) Board

Remove Control and Blue Strip LED Boards

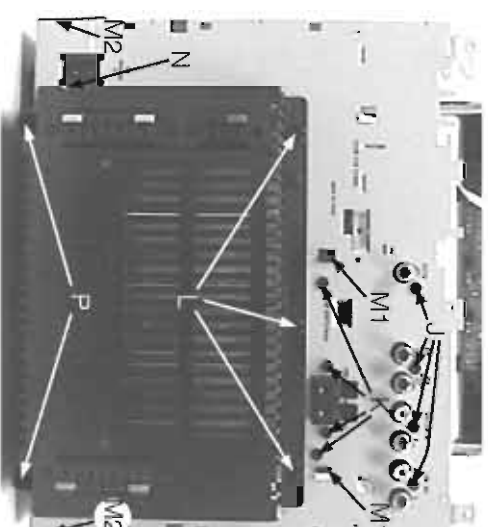


Dismantling of Rear Portion

- 1) Remove 5 screws J as indicated to loosen the AF Board (pos 1101).
- 2) Remove 4 screws K and uncatch M1 as indicated to loosen the Tuner Board (pos 1102).
- 3) Remove 3 screws L and 1 screw N (if obstructed) and uncatch M2 as indicated to take out the Plate Rear (pos 234).
- 4) Remove 2 screws P to free the Power Module (pos 1105) from the Bottom Plate assembly.



AF Board Top View



Repair Hints

- 1) The Knob Volume Rotary (pos 149) can be remove by inserting a strong string into the slot and pull it out in the direction as indicated. See picture 1.



Picture 1

- 2) The Knob Jog Rotary (pos 138) can be remove by inserting a strong string into the slot and pull it out in the direction as indicated. See picture 2.



Picture 2

Dismantling of the ETF Tape Module

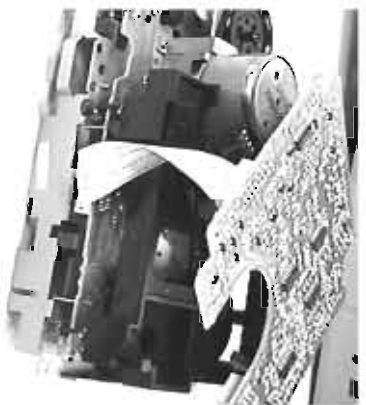
- 1) Remove 6 screws G as indicated to loosen the ETF Tape Module (pos 1103).

3) During repair it is possible to disconnect the Tuner board and CDC Module completely unless the fault is suspected to be in that area. This will not affect the performance of the rest of the set.

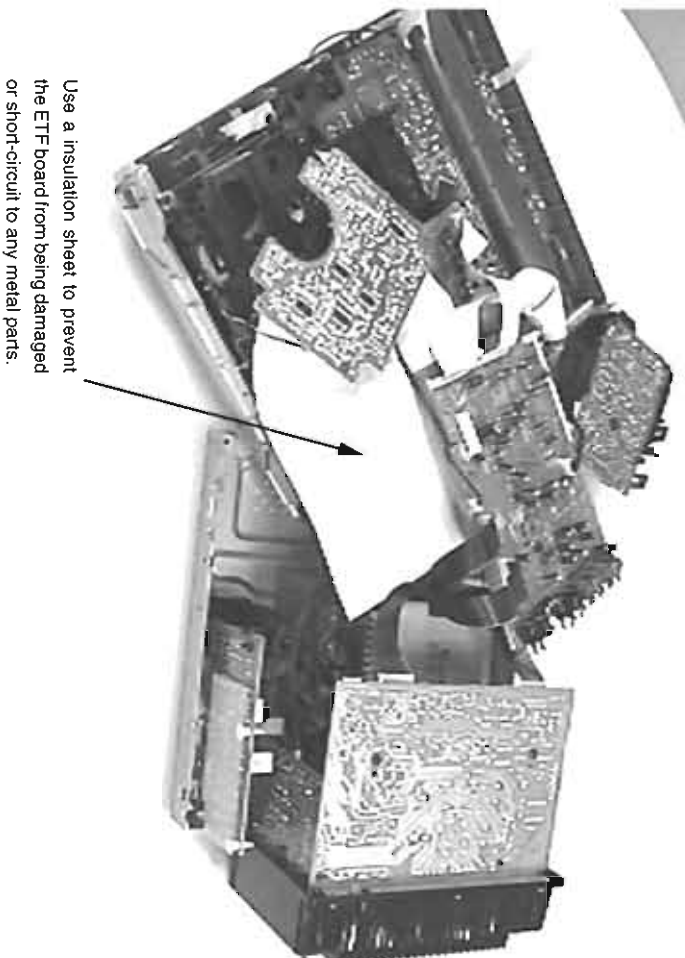
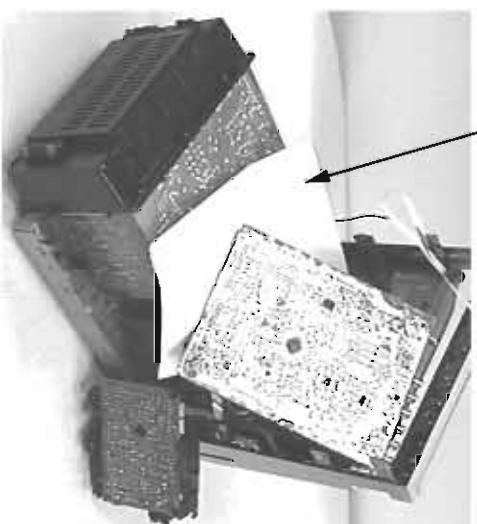
4) Due to the short flex cable wires in the ETF Module, the pc board should be disconnected and reconnected on the reverse side of the tape mechanism to keep it electrically connected during repair. See picture 3.

Note: The flex cables are very fragile, care should be taken not to damage them during repair. After repair, be very sure that the flex cables are inserted properly into the flex sockets before encasing, otherwise faults may occur.

Picture 3

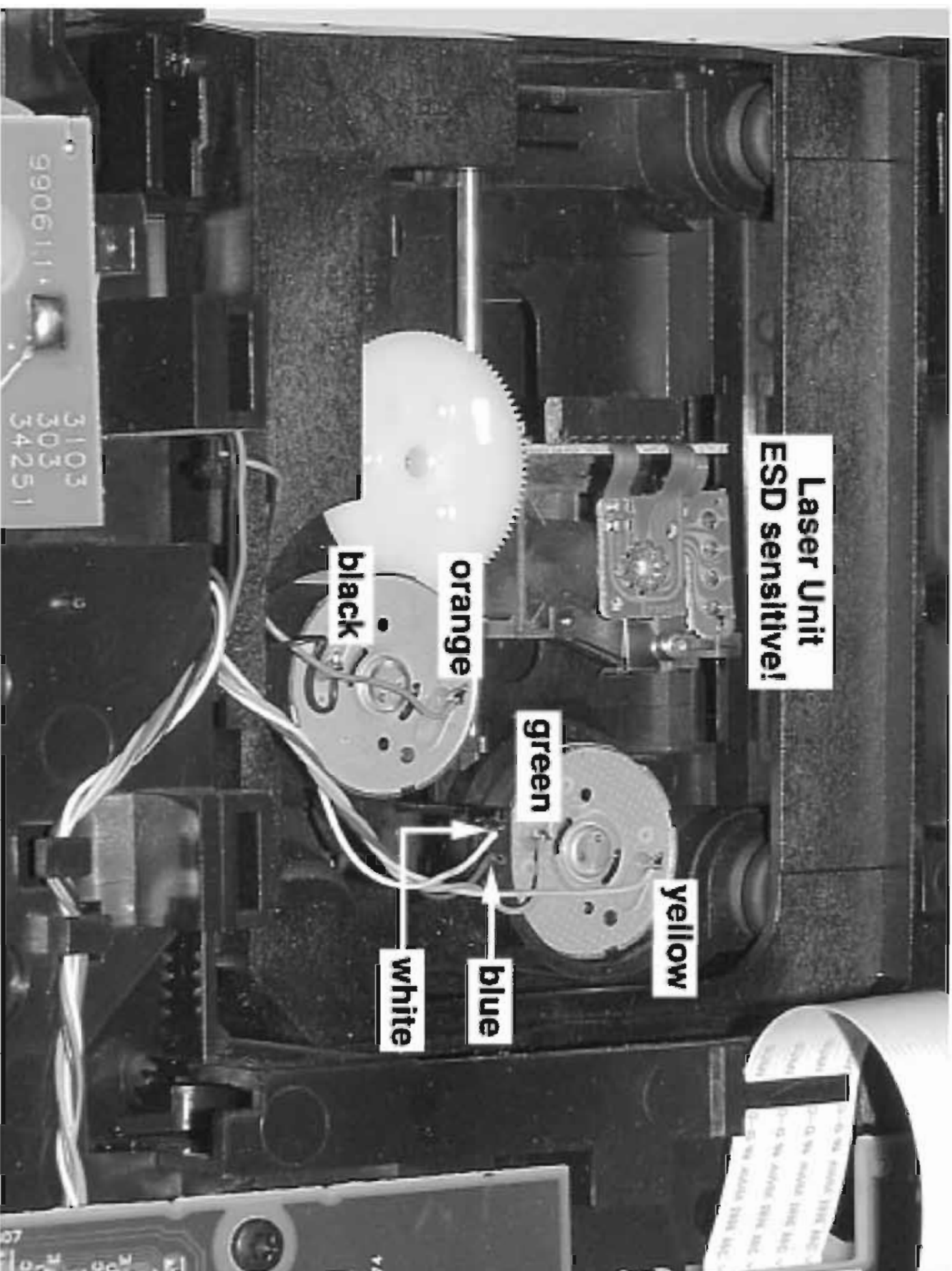


Use a insulation sheet to prevent the AF board from being damaged or short-circuit to any metal parts.



Use a insulation sheet to prevent the ETF board from being damaged or short-circuit to any metal parts.

Wiring



Technical Service Data

Model no.: FWC85C37
First Publish: 7-10-2000
Rev. Date: 7-2-2001
Print Date: 21.11.2005

Service and Quality
Service Publications Dept.
One Philips Drive
P.O. Box 14810
Knoxville, TN 37914

Mechanical Diagrams

REFER TO SAFETY GUIDELINES

SAFETY NOTICE: ANY PERSON ATTEMPTING TO SERVICE THIS CHASSIS MUST FAMILIARIZE HIMSELF WITH THE CHASSIS AND BE AWARE OF THE NECESSARY SAFETY PRECAUTIONS TO BE USED WHEN SERVICING ELECTRONIC EQUIPMENT CONTAINING HIGH VOLTAGES.

CAUTION: USE A SEPARATE ISOLATION TRANSFORMER FOR THIS UNIT WHEN SERVICING

Technical Service Data

Model no.: FWC85C37
First Publish: 7-10-2000
Rev. Date: 7-2-2001
Print Date: 21.11.2005

Service and Quality
Service Publications Dept.
One Philips Drive
P.O. Box 14810
Knoxville, TN 37914

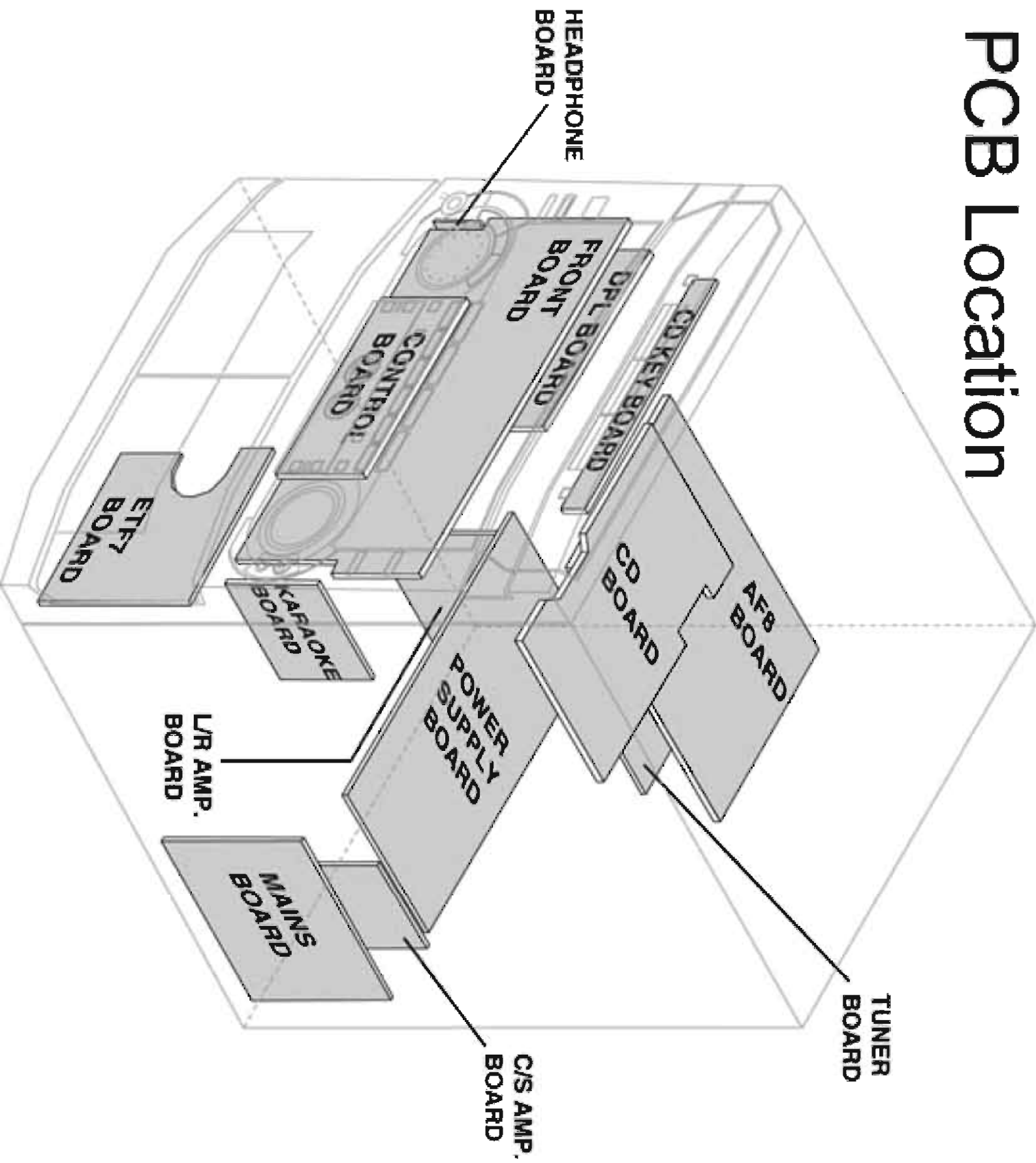
General Information

REFER TO SAFETY GUIDELINES

SAFETY NOTICE: ANY PERSON ATTEMPTING TO SERVICE THIS CHASSIS MUST FAMILIARIZE HIMSELF WITH THE CHASSIS AND BE AWARE OF THE NECESSARY SAFETY PRECAUTIONS TO BE USED WHEN SERVICING ELECTRONIC EQUIPMENT CONTAINING HIGH VOLTAGES.

CAUTION: USE A SEPARATE ISOLATION TRANSFORMER FOR THIS UNIT WHEN SERVICING

PCB Location



Features & Board used in:	Type/Version:				FW-C85			FW-P88	
	/21 /21M	/22	/34	/37	/22	/37			
Aux In	X	X	X	X	X	X			
Line Out	X	X	X	X	X	X			
Surround Out					X	X			
Subwoofer Out	X	X	X	X	X	X			
Digital Out	X	X	X	X	X	X			
Matrix Surround									
CD Text		X	X		X				
Dolby B		X	X		X				
RDS		X	X		X				
News		X	X		X				
Dolby Prologic (DPL)					X	X			
Incredible Surround									
Karaoke Features	X								
Voltage Selector	X								
Low Power Standby (Clock Display Off)	X	X	X	X	X	X			
Tuner board - ECO5 Sys	X		X	X		X			
Tuner board - Tuner 95		X			X				
ETF7 ND/DD/FR - Chapter 9	X			X		X			
ETF7 DB/DD/FR - Chapter 9A		X	X		X				
Powers5-VA (70W/100W) - Chapter 11		X	X	X	X				
Powers5-VA (120W/130W) - Chapter 11A	X					X			
Center/Surround Channel					X	X			

SPECIFICATIONS

GENERAL:

Mains voltage : 110-127V/220-240V Switchable for /21/21M
120V for /37
220V for /33
220-230V for /22/34
230-240V for /30

Mains frequency : 50/60Hz

Power consumption : < 2W at Low Power Standby
: < 20W at Standby
: 130W at 1/8 rated power out (P88/22, C83/22)
: 170W at 1/8 rated power out (P88/37)
: 190W at 1/8 rated power out (C85/21/21M/22/34)
: 165W at 1/8 rated power out (C85/37)

Clock accuracy : < 4 seconds per day

Dimension centre unit : 265 x 310 x 390mm

TUNER:

FM

Tuning range : 87.5-108MHz
65.81-74MHz for /34⁰⁾

Grid : 50kHz (& 30kHz for /34)
100kHz for /37

IF frequency : 10.7MHz ± 25kHz

Aerial input : 75ohm coaxial
300ohm click fit for /37

Sensitivity at 26dB S/N : < 7µV

Selectivity at 600kHz bandwidth : > 25dB

Image rejection : > 25dB [> 75dB]

Distortion at RF=1mV, dev. 75kHz : < 3%

-3dB Limiting point : < 8µV

Crosstalk at RF=1mV, dev. 40kHz : > 18dB

MW

Tuning range : 531-1602kHz
530-1700kHz for /21/21M/37

Grid : 9kHz
10kHz for /21/21M/37

IF frequency : 450kHz ± 1kHz

Aerial input : Frame aerial

Sensitivity at 26dB S/N : < 4.0mV/M

Selectivity at 18kHz bandwidth : > 18dB

IF rejection : > 45dB

Image rejection : > 28dB

Distortion at RF=50mV, m=80% : < 5%

LW

Tuning range : 153-279kHz

Grid : 3kHz

IF frequency : 450kHz ± 1kHz

Aerial input : Frame aerial

Sensitivity at 26dB S/N : [< 7.0mV/M]

Selectivity at 18kHz bandwidth : [> 24dB]

IF rejection : [> 26dB]

Image rejection : [> 35dB]

Distortion at RF=50mV, m=80% : [< 5%]

AMPLIFIER:

Output power (6ohms, 1kHz, 10% THD)

L & R : 2 x 150W for FW-C85/21/21M

L & R : 2 x 120W for FW-C85/22/34

L & R : 2 x 80W for FW-P88/22, FW-C83/22

Surround : 2 x 20W for FW-P88/22

Center : 40W for FW-P88/22

Output power (6ohms, 60Hz-12.5kHz, 10% THD)

L & R : 2 x 100W for FW-C85/37

L & R : 2 x 115W for FW-P88/37

Surround : 2 x 20W for FW-P88/37

Center : 40W for FW-P88/37

Frequency response within -3dB : 60Hz-16kHz

Digital Sound Control (DSC) :

Optimal, Classic, Techno, Jazz, Rock, Vocal

Virtual Environment Control (VEC) :

Hall, Disco, Concert, Club, Cinema, Arcade

WOOX : 1, 2, 3

Headphone output at 32 ohms : 18mW ± 1dB

Input sensitivity

Aux in : 500mV ± 2dB, 1kHz

Microphone : 4mV ± 2dB

Output sensitivity

Line out (Left/Right) : 500mV ± 2dB at 22 kohms

Subwoofer out (100Hz) : 1.3V ± 2dB at 22 kohms at max

Surround out (1kHz) : 500mV ± 2dB at 22 kohms

CASSETTE RECORDER:

Number of track : 2 x 2 stereo

Tape speed : 4.76 cm/sec ± 2%

Wow and flutter : < 0.4% (DIN)

Fast-wind/Rewind time C60 : 130 sec

Bias system : 75kHz ± 10kHz

Rec/Pb frequency response within 8dB : 80Hz - 12.5kHz

Signal to noise ratio (unweighted): > 44dB

COMPACT DISC:

Measurement done at Set level at 6 ohms speaker loads.

Frequency response : < ±3dB for 63Hz-14kHz

Signal to Noise ratio (Unweighted) : 60dBA

Signal to Noise ratio (A-weighted) : 67dBA

THD (30Hz-16kHz) : 1.5%

Channel difference (250Hz-10kHz) : < ±2dB

Channel separation (20Hz-20kHz) : 30dB
(1kHz) : 40dB

[...] Values indicated are for "Tuner 95 Board" only.

⁰⁾ Default setting is OFF, to switch on please refer page 3-4.

Technical Service Data

Model no.: FWC85C37
First Publish: 7-10-2000
Rev. Date: 7-2-2001
Print Date: 21.11.2005

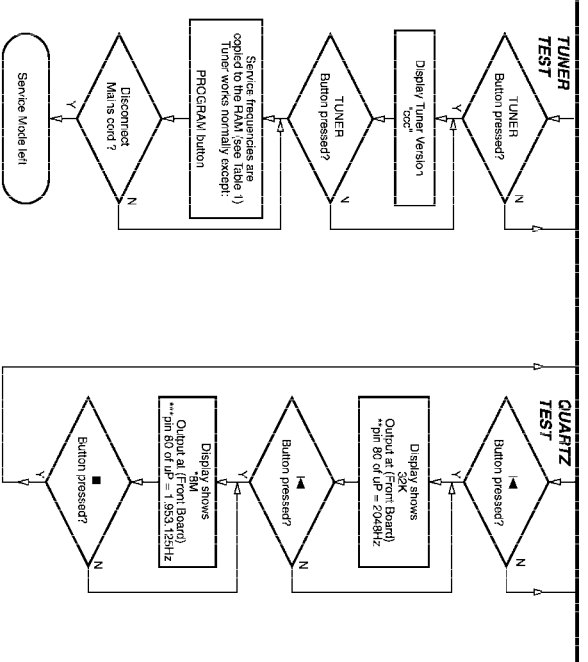
Service and Quality
Service Publications Dept.
One Philips Drive
P.O. Box 14810
Knoxville, TN 37914

Electrical Adjustments

REFER TO SAFETY GUIDELINES

SAFETY NOTICE: ANY PERSON ATTEMPTING TO SERVICE THIS CHASSIS MUST FAMILIARIZE HIMSELF WITH THE CHASSIS AND BE AWARE OF THE NECESSARY SAFETY PRECAUTIONS TO BE USED WHEN SERVICING ELECTRONIC EQUIPMENT CONTAINING HIGH VOLTAGES.

CAUTION: USE A SEPARATE ISOLATION TRANSFORMER FOR THIS UNIT WHEN SERVICING

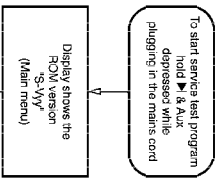


For FW-C83, FW-C85, FW-C90 & FW-P98:
 * the value is 12MHz
 ... pin 19 of UP = 2048Hz
 ... pin 19 of UP = 2322.0575Hz

PRESSET	Europe EUR	East Eur. EAS	East Eur. Extended-band EAS	USA USA	Oceania OSE
1	87.5MHz	87.5MHz	65.81MHz	87.5MHz	87.5MHz
2	108MHz	108MHz	108MHz	108MHz	108MHz
3	53.1kHz	53.1kHz	74MHz	530kHz	531.530kHz
4	1602kHz	1602kHz	87.5MHz	1700kHz	1602/1700kHz
5	558kHz	558kHz	531kHz	560kHz	556/600kHz
6	1494kHz	1494kHz	1602kHz	1500kHz	1494/1500kHz
7	153kHz	87.5MHz	538kHz	98MHz	87.5/98MHz
8	279kHz	87.5MHz	1494kHz	87.5MHz	87.5MHz
9	198kHz	87.5MHz	98MHz	87.5MHz	87.5MHz
10	98MHz	87.5MHz	70.01MHz	87.5MHz	87.5MHz
11	87.5MHz	93MHz	65.81MHz	87.5MHz	98/97.5MHz

Table 1

Note: Depending on the selected grid frequency (9 or 10kHz) By holding the TUNER and QUARTZ buttons depressed while switching on the Mains supply, one of the undermentioned features will be activated:
 - the tuning grid frequency is toggled between 9kHz and 10kHz for the Overseas (Z1) version.
 - the extended FM1 (65.81MHz - 74MHz) is toggled on and off for East Eur. (Z4) version.



S refers to Service Mode
 V refers to Version
 Y refers to Software version number of the uP-processor (counting up from 01 to 99)

Error code	Error Description
E1000	Focus Error Triggered when the focus could not be found within a certain time when starting up the CD or when the focus is lost for a certain time during play.
E1001	Radial Error Triggered when the radial servo is off-track for a certain time during play.
E1002	Sledge In Error The sledges did not reach their inner position (inner-switch is still close) before approximately 6 Sec. have passed by. Inner-switch or sledge motor problem.
E1003	Sledge Out Error The sledges did not come out of their inner position (inner-switch is still open) before approximately 250 mSec. have passed by. Inner-switch or sledge motor problem.
E1005	Jump-off-track error Triggered in normal play when the jump destination could not be found within a certain time. When this error occurred, software will try to recover by initiating the jump command again. If it is recoverable, the disc will continue to play.
E1006	Subcode Error Triggered when a new subcode was missing for a certain time during play.
E1007	PLL Error The Phase Lock Loop could not lock within a certain time.
E1008	Turntable Motor Error Generated when the CD could not reach 75% of speed during startup within a certain time. Disc motor problem.
E1020	Focus Search Error The focus point has not been found within a certain time.
E1070	Carousal switch Error The carousal switch is not oper within certain time. This can happen when either the switch is defective and closed all the time, or when the carousal is blocked when located exactly at a disc position.
E1071	Carousal position switch Error The carousal position switch did not close within a certain time. This can happen when the switch is defective and never closes electrically, or when the carousal is blocked in between two disc positions. The time-out is approximately 5 Sec.
E1079	Drawer Error The drawer could not enter the inside position is opening again. This can be caused because the drawer is blocked by something and cannot go fully inside, or the drawer switch is defective and does not close.

Table 2

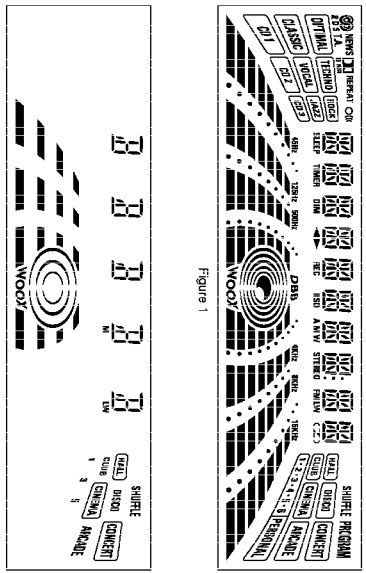
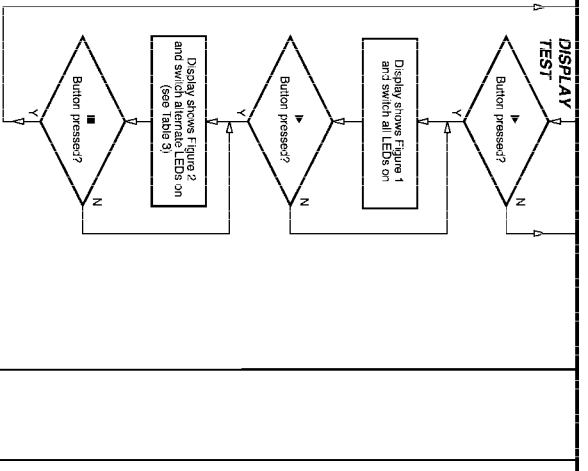


Figure 1

Figure 2



LEDS	FW-C90	FW-C83, FW-C85, FW-C90	FW-P98
DISC 1	On	On	On
DISC 2	On	On	On
DISC 3	On	On	On
CD	On	On	On
TUNER	On	On	On
AAE	On	On	On
DISCOR	On	On	On
BASS	On	On	On
WOOX	On	On	On
DPL CENTRE			On
STEREO RIGHT			On

Table 3

Various other Tests

TEST	Activated with	ACTION
EEPROM TEST	▶▶▶	A test pattern will be sent to the EEPROM. 'PASS' is displayed if the uP-processor read back the test pattern correctly, otherwise 'ERROR' will be displayed.
EEPROM FORMAT	▶▶▶	Load default data. Display shows 'NEW' for 1 second. Caution! All presets from the customer will be lost!
ROTARY ENCODER TEST	▶▶▶	Rotary Volume Knob Fictian WOOX Knob or Jog Shuttle Knob
LEAVE SERVICE TEST PROGRAM	▶▶▶	Display shows value for 2 seconds. Values increases or decreases in steps of 1 until 0 (Min.) or 40 (Max.) is reached.

TAPE ADJUSTMENT & CHECK TABLE

	TEST CASSETTE	RECORDER MODE	MEASURE ON	READ ON	ADJUST	
					with	to
ADJUST MOTOR SPEED						
NORMAL SPEED	SBC420 3150Hz	PLAY B	1 or 2	frequency counter	3620	3150Hz ± 0.5%
		PLAY A	LEFT RIGHT		check	3150Hz -0.8/+1.8%
CHECK WOW & FLUTTER						
DECK A & B	SBC420 3150Hz	PLAY	1 or 2 LEFT RIGHT	W&F-meter	check	≤0.4 % DIN
ADJUST AZIMUTH						
DECK A & B	SBC420 10kHz	PLAY FWD	1 or 2	mV-meter	left hand screw	max. output level & left=right
		PLAY REV #	LEFT RIGHT		right hand screw	
CHECK PLAYBACK FREQUENCY RESPONSE						
DECK A & B	SBC420	PLAY	1 or 2 LEFT RIGHT	mV-meter	check	limits see fig. 1
ADJUST BIAS CURRENT						
DECK B	SBC419A	RECORD	5 or 6	mV-meter	3773	995mV
	SBC420		LEFT RIGHT		check	750mV ± 1.5dB
CHECK OVERALL FREQUENCY RESPONSE AND DISTORTION						
Inject 3mV signals 100Hz, 250Hz, 1kHz, 10kHz, 12.5kHz via 3 or 4	SBC419A or SBC420	RECORD B				
	RECORDED CASSETTE	PLAY B	1 or 2 LEFT RIGHT	mV-meter	check	limits see fig. 2 *
Inject 1kHz 8.85mV via 3 or 4	SBC419A or SBC420	RECORD B				
	RECORDED CASSETTE	PLAY B	1 or 2 LEFT RIGHT	THD-meter	check	≤3% *

SBC419A : 4822 397 30069
SBC420 : 4822 397 30071

For Auto-reverse version only

* If high frequencies are not within limits, decrease bias and re-measure.
If distortion is too high, increase bias and re-measure

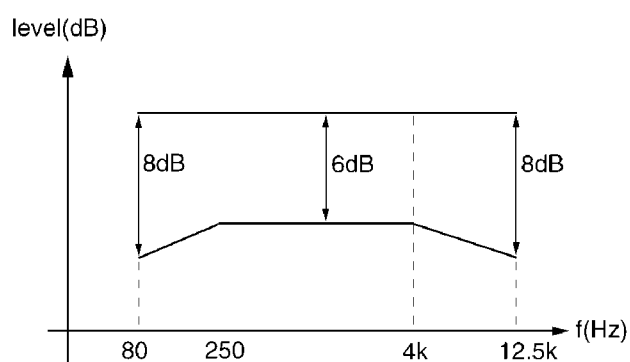


figure. 1

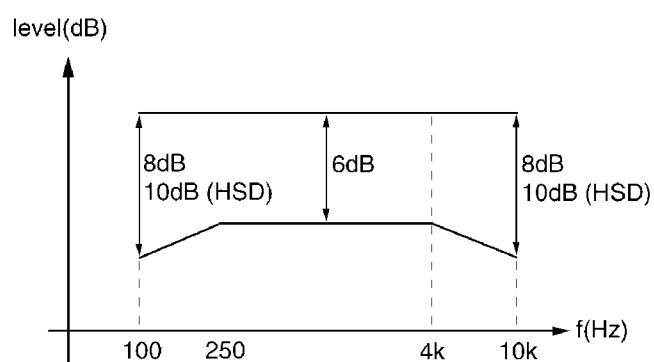


figure. 2

Technical Service Data

Model no.: FWC85C37
First Publish: 7-10-2000
Rev. Date: 7-2-2001
Print Date: 21.11.2005

Service and Quality
Service Publications Dept.
One Philips Drive
P.O. Box 14810
Knoxville, TN 37914

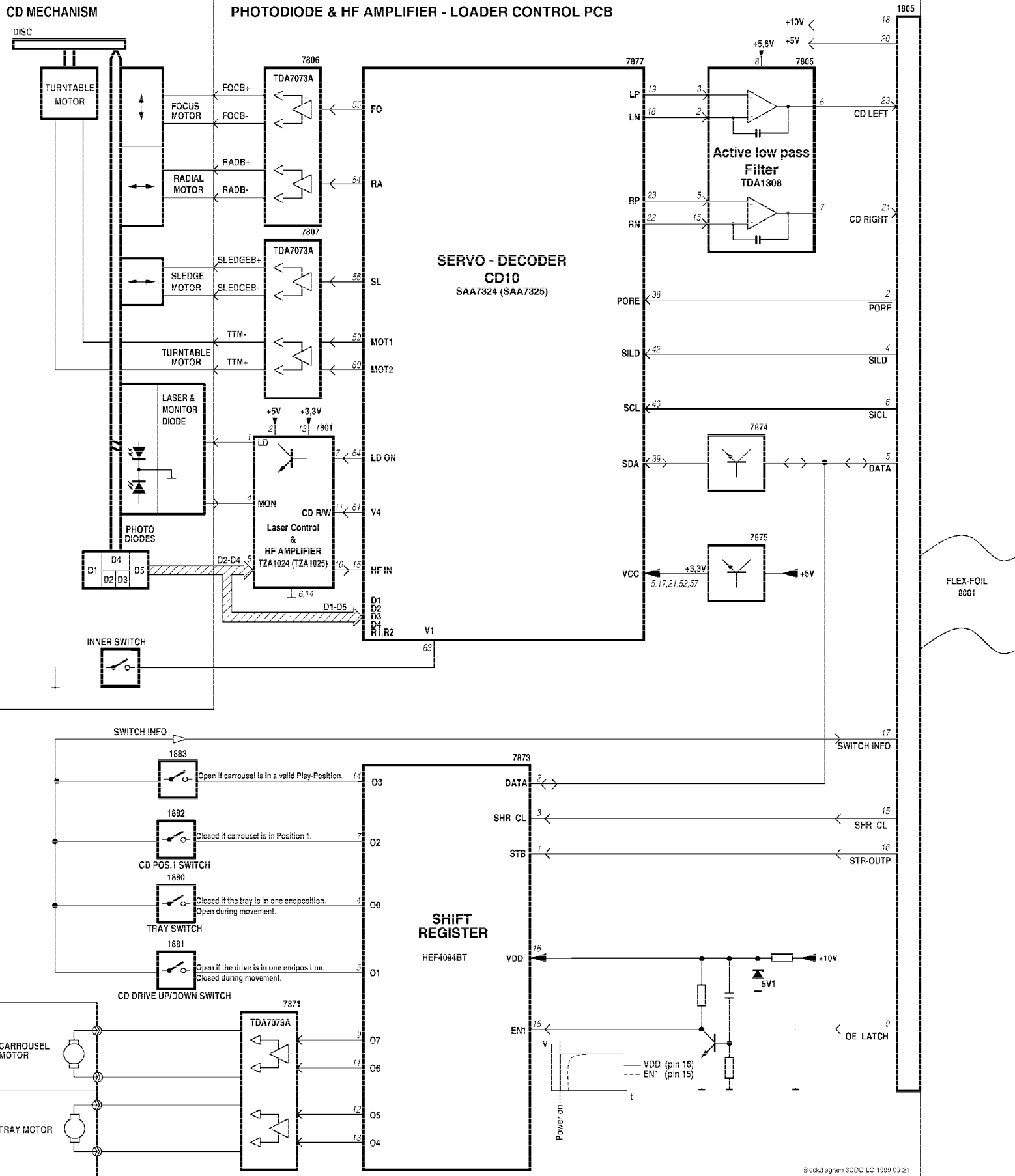
Training Information

REFER TO SAFETY GUIDELINES

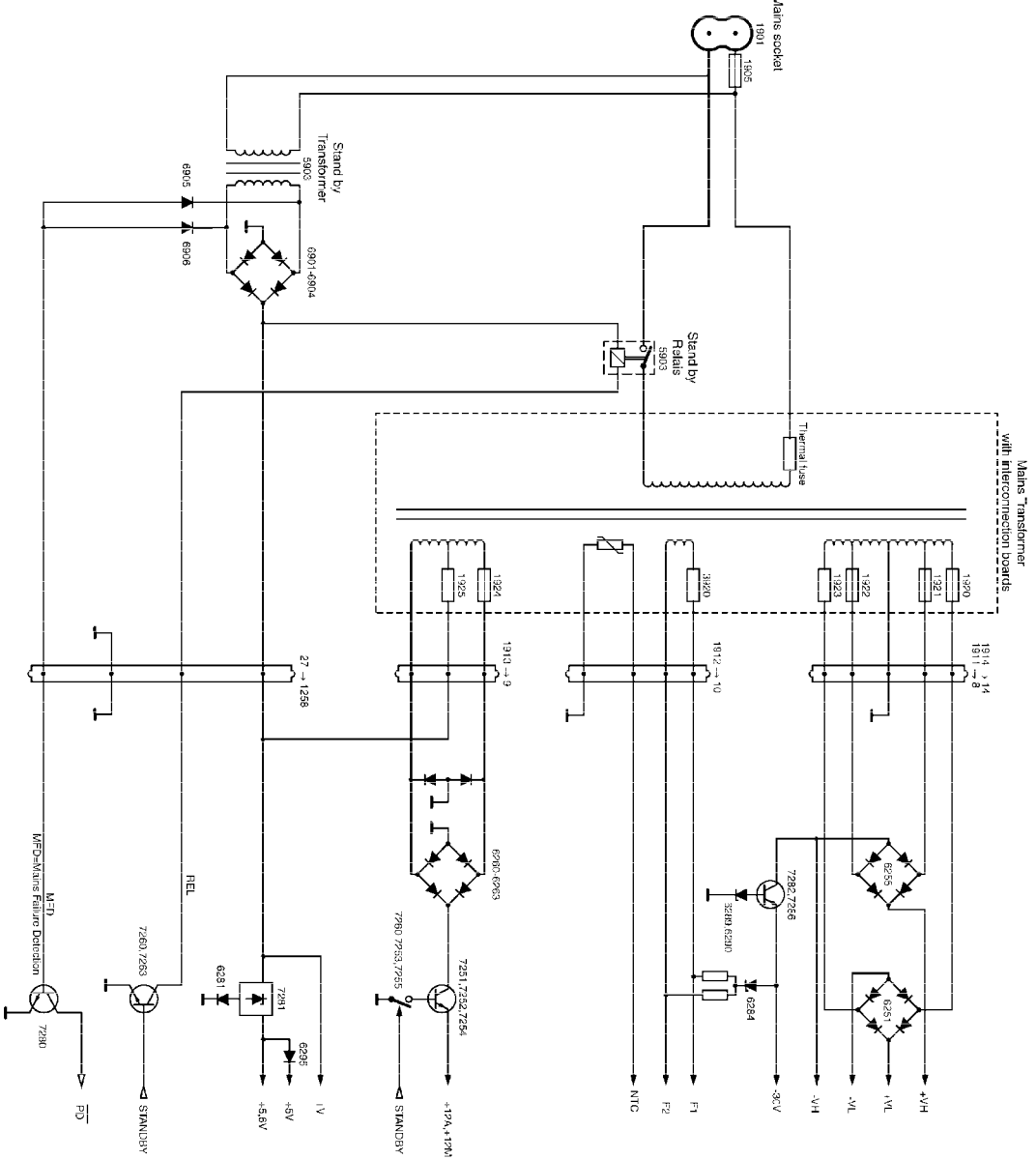
SAFETY NOTICE: ANY PERSON ATTEMPTING TO SERVICE THIS CHASSIS MUST FAMILIARIZE HIMSELF WITH THE CHASSIS AND BE AWARE OF THE NECESSARY SAFETY PRECAUTIONS TO BE USED WHEN SERVICING ELECTRONIC EQUIPMENT CONTAINING HIGH VOLTAGES.

CAUTION: USE A SEPARATE ISOLATION TRANSFORMER FOR THIS UNIT WHEN SERVICING

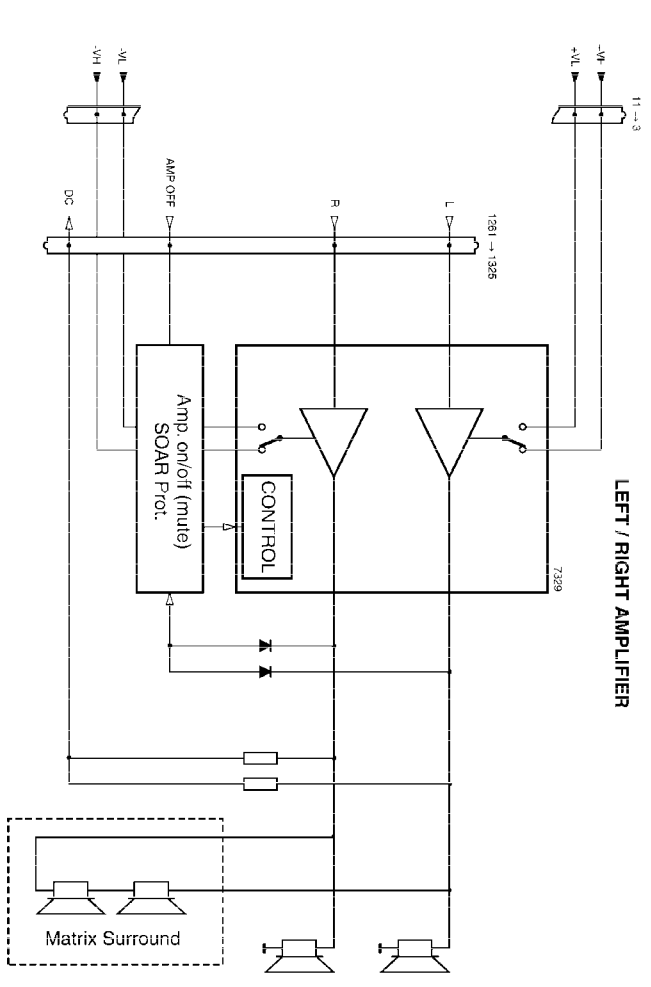
Blockdiagram



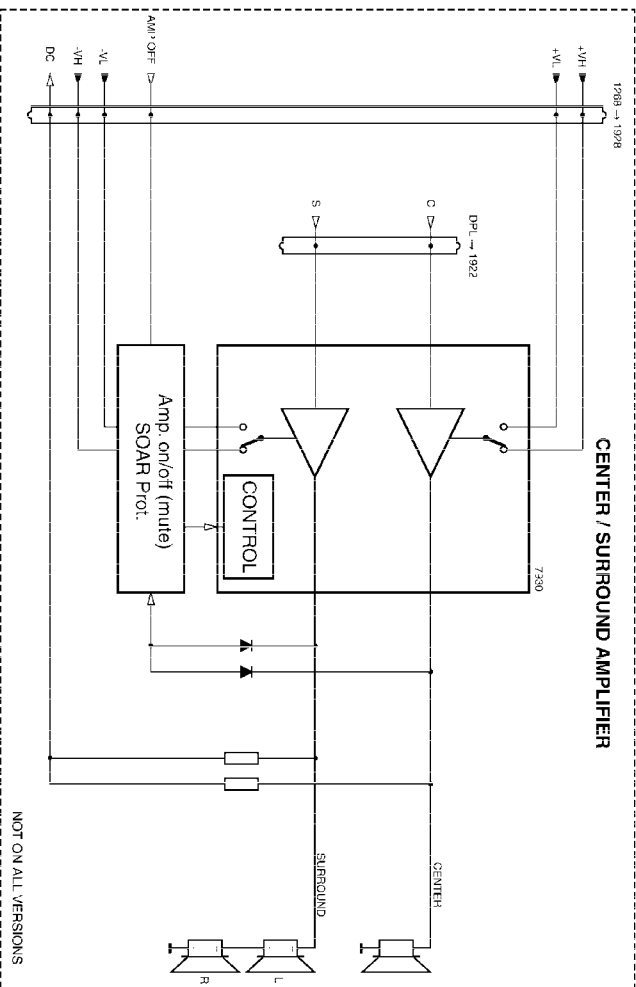
SUPPLY PART



LEFT / RIGHT AMPLIFIER

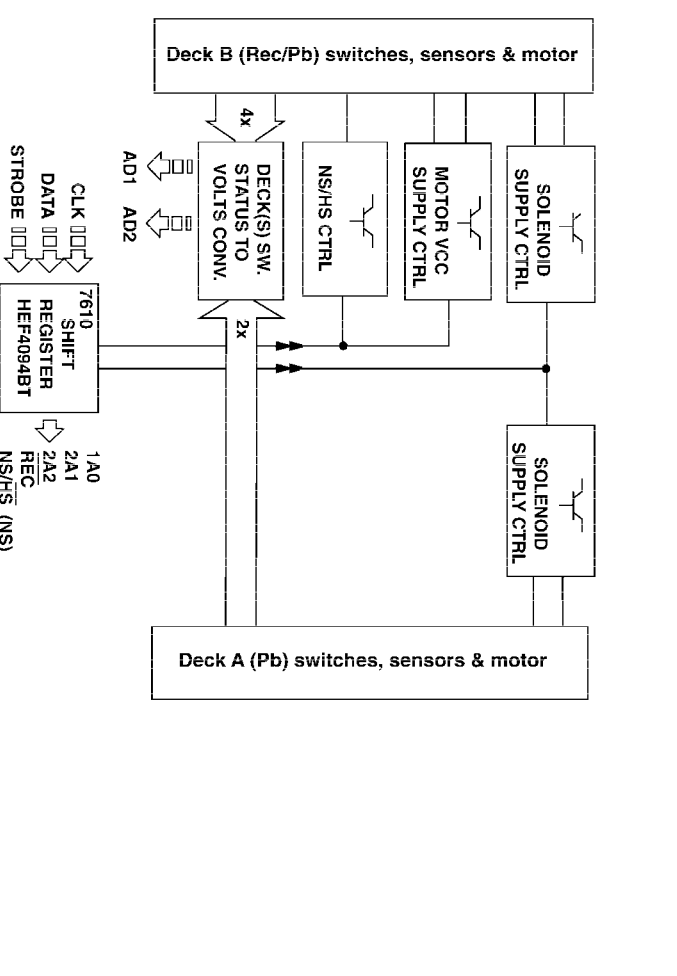
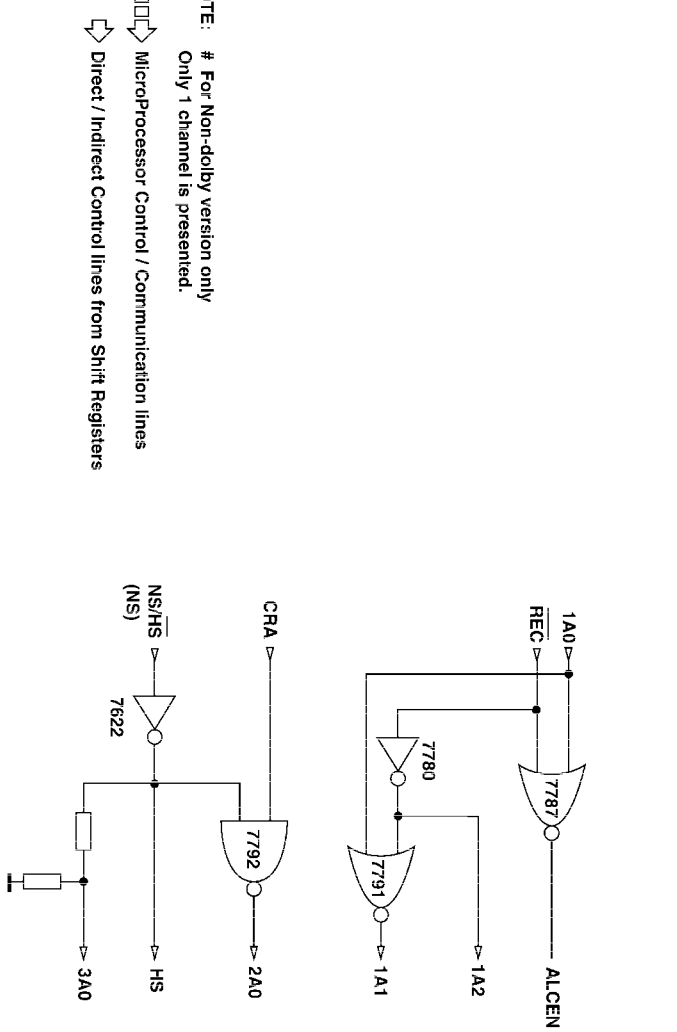
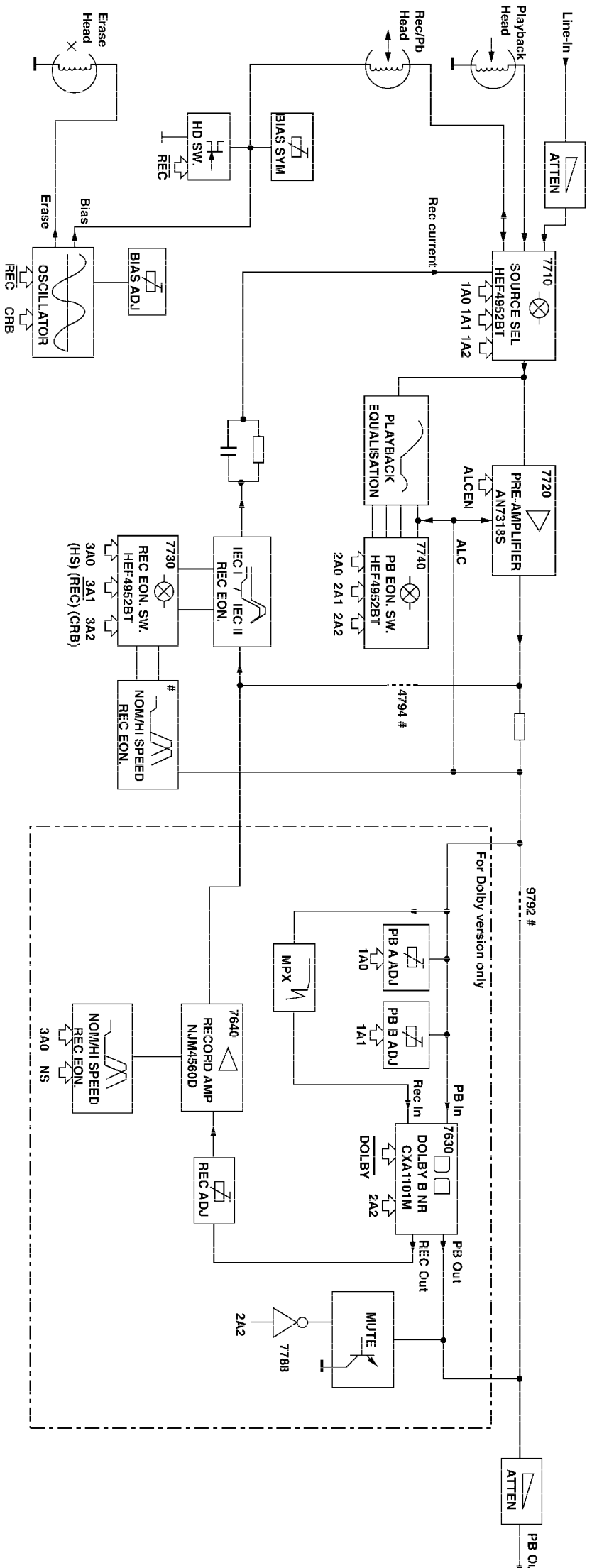


CENTER / SURROUND AMPLIFIER



NOT ON ALL VERSIONS

BLOCK DIAGRAM

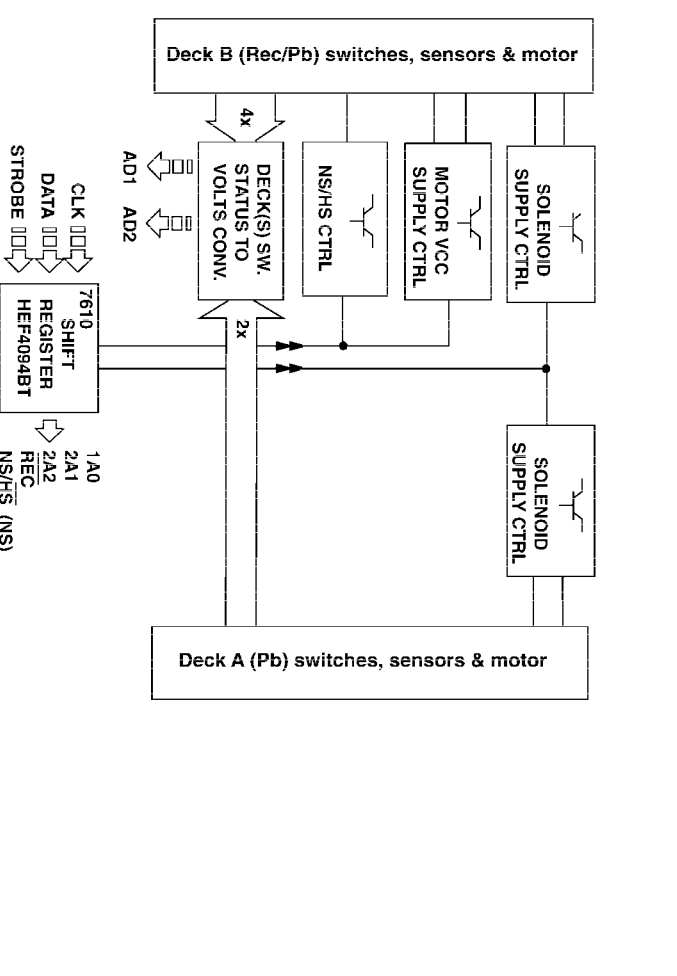
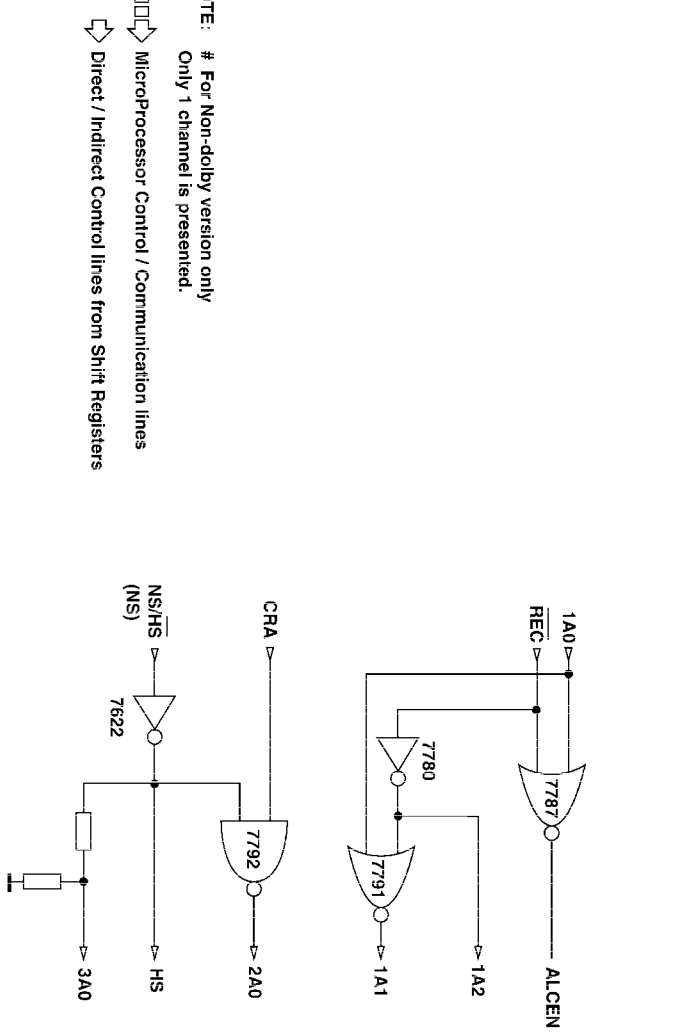
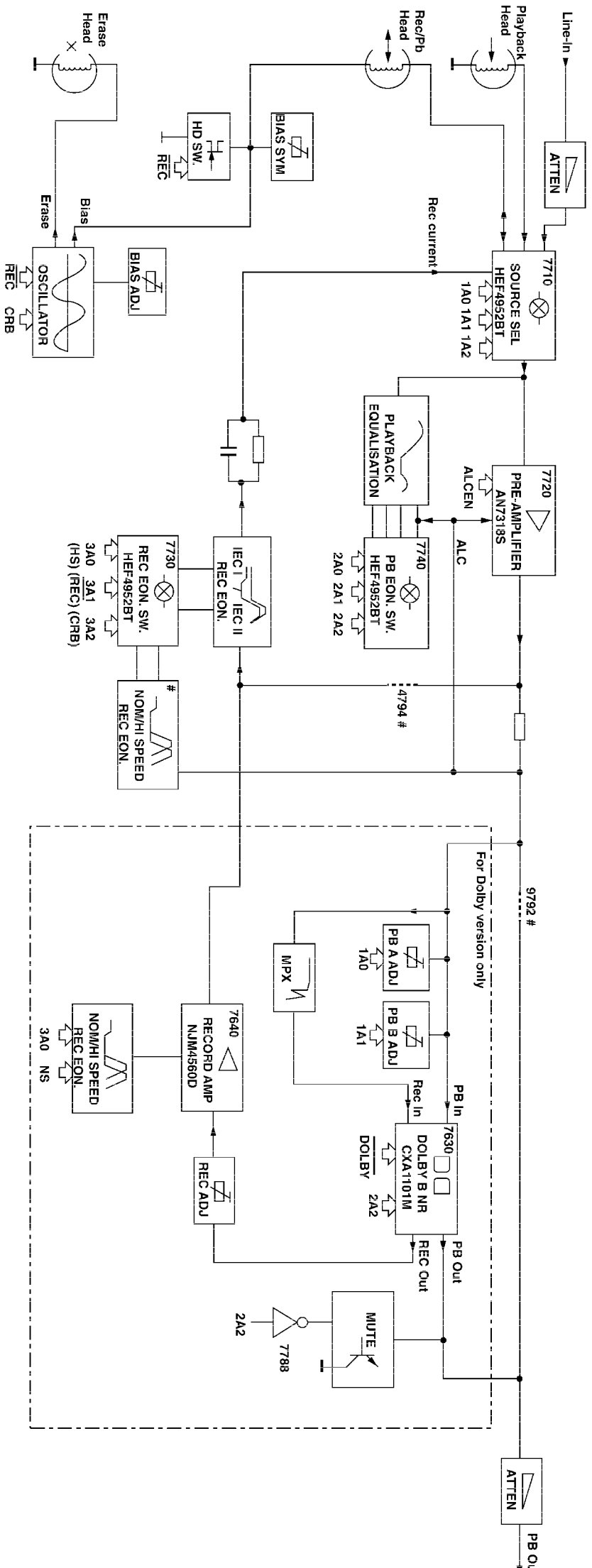


NOTE: # For Non-dolby version only
Only 1 channel is presented.

MicroProcessor Control / Communication lines

Direct / Indirect Control lines from Shift Registers

BLOCK DIAGRAM



NOTE: # For Non-dolby version only
 Only 1 channel is presented.
 □□□ MicroProcessor Control / Communication lines
 ⇨ Direct / Indirect Control lines from Shift Registers

Technical Service Data

Model no.: FWC85C37
First Publish: 7-10-2000
Rev. Date: 7-2-2001
Print Date: 21.11.2005

Service and Quality
Service Publications Dept.
One Philips Drive
P.O. Box 14810
Knoxville, TN 37914

Parts List

REFER TO SAFETY GUIDELINES

SAFETY NOTICE: ANY PERSON ATTEMPTING TO SERVICE THIS CHASSIS MUST FAMILIARIZE HIMSELF WITH THE CHASSIS AND BE AWARE OF THE NECESSARY SAFETY PRECAUTIONS TO BE USED WHEN SERVICING ELECTRONIC EQUIPMENT CONTAINING HIGH VOLTAGES.

CAUTION: USE A SEPARATE ISOLATION TRANSFORMER FOR THIS UNIT WHEN SERVICING

FRONT BOARD ELECTRICAL PARTS

FRONT BOARD ELECTRICAL PARTS										
1100	Flex Connect 6P.	4822	265	11207	2249	22pF	5% 50V.	5322	122	32658
1101	Tact Switch.	4822	276	13775	2250	22pF	5% 50V.	5322	122	32658
1102	Tact Switch.	4822	276	13775	2251	22pF	5% 50V.	5322	122	32658
1103	Tact Switch.	4822	276	13775	2252	270pF	5% 50V	4822	122	33216
1104	Tact Switch.	4822	276	13775	2253	15pF	2% 63V.	4822	126	13486
1105	Tact Switch.	4822	276	13775	2254	100nF	+80/-20% 50V	4822	126	13838
1200	Flex Connect 6P.	4822	265	11207	2255	1uF	+80/-20% 16V	4822	126	14043
1203	Tact Switch.	4822	276	13775	2256	100nF	10% 50V.	4822	126	14585
1204	Tact Switch.	4822	276	13775	2257	220pF	5% 63V	4822	122	33575
1205	Tact Switch.	4822	276	13775	2258	100nF	10% 50V.	4822	126	14585
1206	Tact Switch.	4822	276	13775	2259	220pF	5% 63V	4822	122	33575
1207	Tact Switch.	4822	276	13775	2261	100nF	10% 50V.	4822	126	14585
1208	Tact Switch.	4822	276	13775	2262	47nF	10% 63V	4822	126	13751
1209	Tact Switch.	4822	276	13775	2263	2,2nF	10% 63V.	4822	122	33127
1210	Tact Switch.	4822	276	13775	2264	10nF	20% 50V	4822	122	33177
1211	Tact Switch.	4822	276	13775	2265	10nF	20% 50V	4822	122	33177
1212	Tact Switch.	4822	276	13775	2266	10nF	20% 50V	4822	122	33177
1213	Tact Switch.	4822	276	13775	2267	10nF	20% 50V	4822	122	33177
1214	Tact Switch.	4822	276	13775	2268	10nF	20% 50V	4822	122	33177
1215	Tact Switch.	4822	276	13775	2269	220nF	+80/-20% 25V	4822	126	14076
1216	Tact Switch.	4822	276	13775	2270	220pF	5% 63V	4822	122	33575
1217	FTD Display.	3139	110	52250	2271	220pF	5% 63V	4822	122	33575
1218	Rotary Encoder 24P	4822	273	10365	2272	220pF	5% 63V	4822	122	33575
1219	Rotary Encoder 12P	2422	129	16385	2273	10pF	5% 63V.	5322	122	32448
1220	Flex Connect 7P.	4822	267	10953	2274	10pF	5% 63V.	5322	122	32448
1221	Flex Connect 23P	4822	265	11182	2275	100nF	10% 50V.	4822	126	14585
1222	Flex Connect 19P	4822	265	11545	2276	10pF	5% 63V.	5322	122	32448
1223	Flex Connect 4P.	4822	267	10733	2277	10pF	5% 63V.	5322	122	32448
1224	Flex Connect 10P	4822	267	10729	2278	10pF	5% 63V.	4822	124	81286
1400	Flex Connect 10P	4822	267	10729	2279	47uF	20% 16V	4822	126	13473
1401	Rotary Encoder 12P	2422	129	16386	2280	220nF	+80/-20% 50V	4822	126	14585
1402	Tact Switch.	4822	276	13775	2281	100nF	10% 50V.	4822	126	14585
1403	Tact Switch.	4822	276	13775	2282	100nF	10% 50V.	4822	126	14585
1404	Tact Switch.	4822	276	13775	2283	220nF	+80/-20% 50V	4822	126	13473
1405	Tact Switch.	4822	276	13775	2284	100nF	10% 50V.	4822	126	14585
1406	Tact Switch.	4822	276	13775	2285	100nF	10% 50V.	4822	126	14585
1407	Tact Switch.	4822	276	13775	2286	100nF	10% 50V.	4822	126	14585
1408	Tact Switch.	4822	276	13775	2287	100nF	10% 50V.	4822	126	14585
1409	Tact Switch.	4822	276	13775	2288	220pF	5% 63V	4822	122	33575
1410	Tact Switch.	4822	276	13775	2289	100nF	10% 50V.	4822	126	14585
1411	Tact Switch.	4822	276	13775	2290	100nF	10% 50V.	4822	126	14585
1412	Tact Switch.	4822	276	13775	2292	100pF	5% 50V	5322	122	32531
1413	Tact Switch.	4822	276	13775	2294	100pF	5% 50V	5322	122	32531
1414	Tact Switch.	4822	276	13775	2296	100pF	5% 50V	5322	122	32531
1415	Tact Switch.	4822	276	13775	2297	47nF	10% 63V	4822	126	13751
1416	Tact Switch.	4822	276	13775	2298	47pF	1% 63V.	4822	126	13692
1417	Tact Switch.	4822	276	13775	2299	47pF	1% 63V.	4822	126	13692
1418	Tact Switch.	4822	276	13775	2300	47pF	1% 63V.	4822	126	13692
1500	Headphone Socket	4822	265	11529	2301	100nF	+80/-20% 50V	4822	126	12882
1502	Flex Connect 6P.	4822	267	10731	2400	10nF	20% 50V	4822	122	33177
2100	100pF 5% 50V	5322	122	32531	2401	10nF	20% 50V	4822	122	33177
2200	100pF 5% 50V	5322	122	32531	2402	100pF	5% 50V	5322	122	32531
2201	100pF 5% 50V	5322	122	32531	2403	100pF	5% 50V	5322	122	32531
2202	100pF 5% 50V	5322	122	32531	2404	100nF	+80/-20% 50V	4822	126	13838
2204	100pF 5% 50V	5322	122	32531	2405	OR Jumper	0805	4822	051	20008
2205	100pF 5% 50V	5322	122	32531	2500	22nF	10% 63V	5322	122	32654
2206	100pF 5% 50V	5322	122	32531	2502	22nF	10% 63V	5322	122	32654
2208	100pF 5% 50V	5322	122	32531	2503	100nF	10% 50V.	4822	126	14585
2209	100pF 5% 50V	5322	122	32531	2504	100nF	+80/-20% 50V	4822	126	13838
2210	100pF 5% 50V	5322	122	32531	3100	120R	5% 0,1W	4822	051	20121
2212	100pF 5% 50V	5322	122	32531	3101	120R	5% 0,1W	4822	051	20121
2213	100pF 5% 50V	5322	122	32531	3102	120R	5% 0,1W	4822	051	20121
2216	100pF 5% 50V	5322	122	32531	3103	10k	1% 0,1W.	4822	117	10833
2217	100pF 5% 50V	5322	122	32531	3104	4k7	5% 0,1W.	4822	051	20472
2220	100pF 5% 50V	5322	122	32531	3105	2k7	1% 0,1W.	4822	117	12955
2221	100pF 5% 50V	5322	122	32531	3106	1k8	5% 0,1W.	4822	051	20182
2225	100pF 5% 50V	5322	122	32531	3107	1k2	5% 0,1W.	4822	051	20122
2226	100pF 5% 50V	5322	122	32531	3200	82k	1% 0,1W.	4822	117	11149
2227	100pF 5% 50V	5322	122	32531	3201	82k	1% 0,1W.	4822	117	11149
2228	100pF 5% 50V	5322	122	32531	3202	82k	1% 0,1W.	4822	117	11149
2229	100pF 5% 50V	5322	122	32531	3204	82k	1% 0,1W.	4822	117	11149
2230	47pF 1% 63V.	4822	126	13692	3205	82k	1% 0,1W.	4822	117	11149
2231	560pF 10% 50V.	4822	122	33173	3208	820R	1% 0,1W	4822	117	11454
2232	560pF 10% 50V.	4822	122	33173	3209	560R	5% 0,1W	4822	051	20561
2233	2,2uF 20% 50V.	4822	124	22652	3210	390R	5% 0,1W	4822	051	20391
2234	82pF 1% 63V.	4822	126	13695	3211	270R	1% 0,1W	4822	117	11504
2235	47pF 1% 63V.	4822	126	13692	3212	220R	1% 0,1W	4822	117	11503
2236	100nF 10% 50V.	4822	126	14585	3213	150R	5% 0,1W	4822	117	10353
2237	100nF 10% 50V.	4822	126	14585	3214	1k	1% 0,4W	4822	050	11002
2238	820pF 10% 63V.	4822	122	33806	3215	2k7	5% 0,5W.	4822	116	52263
2239	220nF +80/-20% 25V	4822	126	14076	3216	820R	1% 0,1W	4822	117	11454
2240	6,8nF 10% 63V.	5322	122	31866	3217	560R	5% 0,1W	4822	051	20561
2241	220nF +80/-20% 25V	4822	126	14076	3218	390R	5% 0,1W	4822	051	20391
2242	100nF 10% 50V.	4822	126	14585	3219	270R	1% 0,1W	4822	117	11504
2243	47nF 10% 63V.	4822	126	13751	3220	220R	1% 0,1W	4822	117	11503
2244	220nF +80/-20% 25V	4822	126	14076	3221	150R	5% 0,5W	4822	116	83868
2245	1uF +80/-20% 16V	4822	126	14043	3222	1k	1% 0,4W	4822	050	11002
2246	47uF 20% 16V	4822	124	81286	3223	2k7	1% 0,1W.	4822	117	12955
2247	100nF 10% 50V.	4822	126	14585	3224	10k	1% 0,1W.	4822	117	10833
2248	47uF 20% 16V	4822	124	81286	3225	10k	1% 0,1W.	4822	117	10833
					3226	10k	1% 0,1W.	4822	117	10833
					3227	1k	2% 0,25W.	4822	051	10102

S = Safety Part Be sure to use exact replacement part.

3228	1k 2% 0,25W	4822	051 10102	3321	10k 1% 0,1W	4822	117 10833
3229	1k 2% 0,25W	4822	051 10102	3322	1k 2% 0,25W	4822	051 10102
3230	1k 2% 0,25W	4822	051 10102	3323	1k 2% 0,25W	4822	051 10102
3231	1k 2% 0,25W	4822	051 10102	3324	220R 1% 0,1W	4822	117 11503
3232	2k2 1% 0,1W	4822	117 11449	3325	100R 5% 0,1W	4822	051 20101
3233	220k 1% 0,1W	4822	117 13579	3326	100R 5% 0,5W	4822	116 52175
3234	1k 2% 0,25W	4822	051 10102	3327	100R 5% 0,5W	4822	116 52175
3235	1k 2% 0,25W	4822	051 10102	3328	100R 5% 0,5W	4822	116 52175
3236	10k 1% 0,1W	4822	117 10833	3329	10k 1% 0,1W	4822	117 10833
3237	10k 1% 0,1W	4822	117 10833	3330	22R 5% 0,5W	4822	116 52186
3238	680k 5% 0,1W	4822	051 20684	3331	470R 5% 0,1W	4822	051 20471
3239	1k5 1% 0,1W	4822	117 11139	3332	220R 1% 0,1W	4822	117 11503
3240	470k 5% 0,1W	4822	051 20474	3333	470R 5% 0,1W	4822	051 20471
3241	47k 1% 0,1W	4822	117 10834	3334	470R 5% 0,1W	4822	051 20471
3242	680k 5% 0,1W	4822	051 20684	3335	2k7 5% 0,5W	4822	116 52263
3243	1k5 1% 0,1W	4822	117 11139	3336	1k 2% 0,25W	4822	051 10102
3244	470k 5% 0,1W	4822	051 20474	3337	100R 5% 0,1W	4822	051 20101
3245	47k 1% 0,1W	4822	117 10834	3338	10k 1% 0,1W	4822	117 10833
3246	680k 5% 0,1W	4822	051 20684	3339	10k 1% 0,1W	4822	117 10833
3247	1k5 1% 0,1W	4822	117 11139	3340	10k 1% 0,1W	4822	117 10833
3248	470k 5% 0,1W	4822	051 20474	3341	10k 1% 0,1W	4822	117 10833
3249	47k 1% 0,1W	4822	117 10834	3342	680k 5% 0,1W	4822	051 20684
3250	1k 2% 0,25W	4822	051 10102	3343	10k 1% 0,1W	4822	117 10833
3251	1k 2% 0,25W	4822	051 10102	3344	180R 5% 0,5W	4822	116 52213
3252	1k 2% 0,25W	4822	051 10102	3344	470R 5% 0,5W /FW-P88/22	4822	116 83883
3253	100k 5% 0,5W	4822	116 52234	3344	3k9 5% 0,5W /FW-P88/37	4822	116 52276
3254	1k 2% 0,25W	4822	051 10102	3344	1k8 5% 0,5W /FW-C85/37	4822	116 52249
3255	1k 2% 0,25W	4822	051 10102	3345	1k 2% 0,25W	4822	051 10102
3256	1k 2% 0,25W	4822	051 10102	3346	100k 1% 0,1W	4822	117 10837
3257	1k 2% 0,25W	4822	051 10102	3347	100R 5% 0,1W	4822	051 20101
3258	1k 2% 0,25W	4822	051 10102	3348	100R 5% 0,1W	4822	051 20101
3259	1k 2% 0,25W	4822	051 10102	3351	10k 1% 0,1W	4822	117 10833
3260	1k 2% 0,25W	4822	051 10102	3352	1k 2% 0,25W	4822	051 10102
3261	1k 2% 0,25W	4822	051 10102	3353	1k 1% 0,4W	4822	050 11002
3262	1M 5% 0,1W	4822	051 20105	3354	330k 5% 0,1W	4822	051 20334
3263	1k 2% 0,25W	4822	051 10102	3355	220R 5% 0,5W	4822	116 83872
3264	1k 2% 0,25W	4822	051 10102	3356	220R 5% 0,5W	4822	116 83872
3265	1k 2% 0,25W	4822	051 10102	3357	470R 5% 0,1W	4822	051 20471
3266	1k 2% 0,25W	4822	051 10102	3358	470R 5% 0,1W	4822	051 20471
3267	1k 2% 0,25W	4822	051 10102	3359	470R 5% 0,1W	4822	051 20471
3268	1k 2% 0,25W	4822	051 10102	3360	470R 5% 0,1W	4822	051 20471
3269	1k 2% 0,25W	4822	051 10102	3361	470R 5% 0,1W	4822	051 20471
3270	1k 2% 0,25W	4822	051 10102	3362	470R 5% 0,1W	4822	051 20471
3271	1k 2% 0,25W	4822	051 10102	3363	1k 2% 0,25W	4822	051 10102
3272	1k 2% 0,25W	4822	051 10102	3364	1k 2% 0,25W	4822	051 10102
3273	1k 2% 0,25W	4822	051 10102	3367	10k 1% 0,1W	4822	117 10833
3274	1k 2% 0,25W	4822	051 10102	3368	10k 1% 0,1W	4822	117 10833
3275	1k 2% 0,25W	4822	051 10102	3369	2k2 1% 0,1W	4822	117 11449
3276	1k 2% 0,25W	4822	051 10102	3370	2k2 1% 0,1W	4822	117 11449
3277	1k 2% 0,25W	4822	051 10102	3371	1k 2% 0,25W	4822	051 10102
3278	1k 2% 0,25W	4822	051 10102	3372	120R 5% 0,1W	4822	051 20121
3279	1k 2% 0,25W	4822	051 10102	3373	2k7 5% 0,5W	4822	116 52263
3280	1k 2% 0,25W	4822	051 10102	3374	1k 2% 0,25W	4822	051 10102
3281	1k 2% 0,25W	4822	051 10102	3376	82k 1% 0,1W	4822	117 11449
3282	1k 2% 0,25W	4822	051 10102	3377	10k 1% 0,1W	4822	117 10833
3283	1k 2% 0,25W	4822	051 10102	3378	2k2 1% 0,1W	4822	117 11449
3284	1k 2% 0,25W	4822	051 10102	3400	1k 2% 0,25W	4822	051 10102
3285	1k 2% 0,25W	4822	051 10102	3401	120R 5% 0,1W	4822	051 20121
3286	1k 2% 0,25W	4822	051 10102	3402	10k 1% 0,1W	4822	117 10833
3287	1k 2% 0,25W	4822	051 10102	3403	10k 1% 0,1W	4822	117 10833
3288	1k 2% 0,25W	4822	051 10102	3404	1k8 5% 0,1W	4822	051 20182
3289	1k 2% 0,25W	4822	051 10102	3405	2k7 1% 0,1W	4822	117 12955
3290	1k 2% 0,25W	4822	051 10102	3406	4k7 5% 0,1W	4822	051 20472
3291	1k 2% 0,25W	4822	051 10102	3407	10k 1% 0,1W	4822	117 10833
3292	1k 2% 0,25W	4822	051 10102	3409	150R 1% 0,1W	4822	117 10353
3293	1k 2% 0,25W	4822	051 10102	3410	220R 1% 0,1W	4822	117 11503
3294	1k 2% 0,25W	4822	051 10102	3411	270R 1% 0,1W	4822	117 11504
3295	1k 2% 0,25W	4822	051 10102	3412	390R 5% 0,1W	4822	051 20391
3296	1k 2% 0,25W	4822	051 10102	3413	560R 5% 0,1W	4822	051 20561
3297	1k 2% 0,25W	4822	051 10102	3414	820R 1% 0,1W	4822	117 11454
3298	1k 2% 0,25W	4822	051 10102	3415	1k2 5% 0,1W	4822	051 20122
3299	1k 2% 0,25W	4822	051 10102	3416	1k8 5% 0,1W	4822	051 20182
3300	1k 2% 0,25W	4822	051 10102	3417	2k7 1% 0,1W	4822	117 12955
3301	1k 2% 0,25W	4822	051 10102	3418	4k7 5% 0,1W	4822	051 20472
3302	1k 2% 0,25W	4822	051 10102	3419	10k 1% 0,1W	4822	117 10833
3303	4k7 5% 0,1W	4822	051 20472	3420	1k2 5% 0,1W	4822	051 20122
3304	1k 2% 0,25W	4822	051 10102	4100	OR Jumper 0805	4822	051 20008
3305	1k 2% 0,25W	4822	051 10102	4102	OR Jumper 0805	4822	051 20008
3306	1k 2% 0,25W	4822	051 10102	4103	OR Jumper 0805	4822	051 20008
3307	1k 2% 0,25W	4822	051 10102	4104	OR Jumper 0805	4822	051 20008
3308	1k 2% 0,25W	4822	051 10102	4105	OR Jumper 0805	4822	051 20008
3309	1k 2% 0,25W	4822	051 10102	4202	OR Jumper 0805	4822	051 20008
3310	1k 2% 0,25W	4822	051 10102	4203	OR Jumper 0805	4822	051 20008
3311	1k 2% 0,25W	4822	051 10102	4204	OR Jumper 0805	4822	051 20008
3312	1k 2% 0,25W	4822	051 10102	4205	OR Jumper 0805	4822	051 20008
3313	1k 2% 0,25W	4822	051 10102	4206	OR Jumper 0805	4822	051 20008
3314	1k 2% 0,25W	4822	051 10102	4207	OR Jumper 0805	4822	051 20008
3315	1k 2% 0,25W	4822	051 10102	4208	OR Jumper 0805	4822	051 20008
3316	1k 2% 0,25W	4822	051 10102	4209	OR Jumper 0805	4822	051 20008
3317	1k 2% 0,25W	4822	051 10102	4210	OR Jumper 0805	4822	051 20008
3318	1k 2% 0,25W	4822	051 10102	4211	OR Jumper 0805	4822	051 20008
3320	10k 1% 0,1W	4822	117 10833	4212	OR Jumper 0805	4822	051 20008

S = Safety Part Be sure to use exact replacement part.

4213	OR	Jumper	0805	4822	051	20008
4214	OR	Jumper	0805	4822	051	20008
4215	OR	Jumper	0805	4822	051	20008
4216	OR	Jumper	0805	4822	051	20008
4217	OR	Jumper	0805	4822	051	20008
4218	OR	Jumper	0805	4822	051	20008
4219	OR	Jumper	0805	4822	051	20008
4220	OR	Jumper	0805	4822	051	20008
4221	OR	Jumper	0805	4822	051	20008
4222	OR	Jumper	0805	4822	051	20008
4223	OR	Jumper	0805	4822	051	20008
4224	OR	Jumper	0805	4822	051	20008
4225	OR	Jumper	0805	4822	051	20008
4226	OR	Jumper	0805	4822	051	20008
4227	OR	Jumper	0805	4822	051	20008
4228	OR	Jumper	0805	4822	051	20008
4229	OR	Jumper	0805	4822	051	20008
4230	OR	Jumper	0805	4822	051	20008
4231	OR	Jumper	0805	4822	051	20008
4232	OR	Jumper	0805	4822	051	20008
4233	OR	Jumper	0805	4822	051	20008
4234	OR	Jumper	0805	4822	051	20008
4235	OR	Jumper	0805	4822	051	20008
4236	OR	Jumper	0805	4822	051	20008
4237	OR	Jumper	0805	4822	051	20008
4238	OR	Jumper	0805	4822	051	20008
4239	OR	Jumper	0805	4822	051	20008
4240	OR	Jumper	0805	4822	051	20008
4241	OR	Jumper	0805	4822	051	20008
4242	OR	Jumper	0805	4822	051	20008
4243	OR	Jumper	0805	4822	051	20008
4244	OR	Jumper	0805	4822	051	20008
4245	OR	Jumper	0805	4822	051	20008
4246	OR	Jumper	0805	4822	051	20008
4247	OR	Jumper	0805	4822	051	20008
4248	OR	Jumper	0805	4822	051	20008
4249	OR	Jumper	0805	4822	051	20008
4250	OR	Jumper	0805	4822	051	20008
4251	OR	Jumper	0805	4822	051	20008
4252	OR	Jumper	0805	4822	051	20008
4253	OR	Jumper	0805	4822	051	20008
4254	OR	Jumper	0805	4822	051	20008
4255	OR	Jumper	0805	4822	051	20008
4256	OR	Jumper	0805	4822	051	20008
4257	OR	Jumper	0805	4822	051	20008
4258	OR	Jumper	0805	4822	051	20008
4259	OR	Jumper	0805	4822	051	20008
4260	OR	Jumper	0805	4822	051	20008
4261	OR	Jumper	0805	4822	051	20008
4262	OR	Jumper	0805	4822	051	20008
4263	OR	Jumper	0805	4822	051	20008
4264	OR	Jumper	0805	4822	051	20008
4265	OR	Jumper	0805	4822	051	20008
4266	OR	Jumper	0805	4822	051	20008
4267	OR	Jumper	0805	4822	051	20008
4268	OR	Jumper	0805	4822	051	20008
4269	OR	Jumper	0805	4822	051	20008
4270	OR	Jumper	0805	4822	051	20008
4271	OR	Jumper	0805	4822	051	20008
4272	OR	Jumper	0805	4822	051	20008
4273	OR	Jumper	0805	4822	051	20008
4274	OR	Jumper	0805	4822	051	20008
4400	OR	Jumper	0805	4822	051	20008
4401	OR	Jumper	0805	4822	051	20008
4402	OR	Jumper	0805	4822	051	20008
4403	OR	Jumper	0805	4822	051	20008
4404	OR	Jumper	0805	4822	051	20008
4405	OR	Jumper	0805	4822	051	20008
4500	OR	Jumper	0805	4822	051	20008
4501	OR	Jumper	0805	4822	051	20008
5200	QUARZ	4,332MHz	4822	242	72195	
5201	Coil	2,2uH 5%	4822	157	62552	
5202	Coil	10uH 10%	4822	157	51462	
5203	Coil	10uH 10%	4822	157	51462	
5204	Coil	2,2uH 5%	4822	157	62552	
5205	RES	CER 12MHz	5322	242	73686	
5206	RES	XTL 32,768kHz	4822	242	70938	
5207	Coil	2,2uH 5%	4822	157	62552	
5208	Coil	100uH 5%	4822	157	11228	
5209	Coil	100uH 5%	4822	157	11228	
5500	Coil	2,2uH 5%	4822	157	62552	
5501	Coil	2,2uH 5%	4822	157	62552	
5502	Coil	2,2uH 10%	4822	157	10586	
6100	LTL	-1CHGE	4822	130	10791	
6101	LTL	-1CHGE	4822	130	10791	
6102	LTL	-1CHGE	4822	130	10791	
6201	1N4148		4822	130	30621	
6203	1N4148		4822	130	30621	
6204	1N4148		4822	130	30621	
6205	1N4148		4822	130	30621	
6206	1N4148		4822	130	30621	
6207	1N4003G		4822	130	31878	

6208	1N4003G	4822	130	31878	
6209	1N4148	4822	130	30621	
6210	1N4148	4822	130	30621	
6211	1N4148	4822	130	30621	
6212	1N4148	4822	130	30621	
6213	1N4148	4822	130	30621	
6214	LTL	-1CHPE	4822	130	82978
6215	LTL	-1CHGE	4822	130	10791
6216	LTL	-1CHGE	4822	130	10791
6217	LTL	-1CHGE	4822	130	10791
6218	LTL	-1CHGE	4822	130	10791
6219	LTL	-1CHGE	4822	130	10791
6220	LED	VS LO3336UV-E7898	9322	153	38676
6221	LTL	-1CHGE	4822	130	10791
6222	LED	VS LO3336UV-E7898	9322	153	38676
6223	LED	VS LO3336UV-E7898	9322	153	38676
6224	LED	VS LO3336UV-E7898	9322	153	38676
6225	LED	VS LO3336UV-E7898	9322	153	38676
6226	1N4003G	4822	130	31878	
6229	LED	VS LB3333RT-E7898	9322	153	37676
6400	LED	VS LB3333RT-E7898	9322	153	37676
6401	1N4148	4822	130	30621	
7200	BC847B	4822	130	60511	
7201	BC847B	4822	130	60511	
7202	BC847B	4822	130	60511	
7204	74HC4094D	4822	209	15449	
7205	BC847B	4822	130	60511	
7206	BC847B	4822	130	60511	
7209	TMP88CU74YF - 'C83S52291'	3139	110	52290	
7210	74HC4094D	4822	209	15449	
7211	HEF4051BT	5322	209	11446	
7212	BC847B	4822	130	60511	
7213	M24C02-WMN6	9322	145	26668	
7214	SAA6579T/V1	4822	209	31981	
7215	BC847B	4822	130	60511	
7216	GR1U28XP	4822	130	10165	
7217	BC847B	4822	130	60511	
7218	74HC4094D	4822	209	15449	
7220	BC847B	4822	130	60511	
7400	BC847B	4822	130	60511	

ECO5 TUNER BOARD ELECTRICAL PARTS

ECO5 TUNER BOARD ELECTRICAL PARTS

1101	Antenna	Socket 300R	4822	267	31505
1102	Antenna	Socket Coax IEC 75R	4822	267	10283
2101	100pF	5% 50V	5322	122	32531
2101	47pF	1% 63V f USA	4822	126	13692
2102	10nF	20% 50V	4822	122	33177
2103	1nF	10% 50V	5322	122	34123
2104	100pF	10% 50V	4822	122	33195
2106	Trimmer	4-20pF f LW version	4822	125	50355
2106	Trimmer	3-11pF 100V	4822	125	60101
2107	1uF	10% 63V	4822	121	51319
2108	100pF	5% 50V f LW version	5322	122	32531
2109	10pF	5% 50V f LW version	5322	122	32448
2120	27pF	1% 63V f LW version	4822	126	13691
2120	22pF	5% 50V	5322	122	32658
2122	3,3nF	10% 63V f LW version	4822	122	33891
2125	560pF	5% 400V	4822	121	51381
2126	330pF	5% 50V	5322	122	31863
2127	220nF	+80/-20% 50V	4822	126	13473
2128	10uF	20% 50V	4822	124	41579
2129	100uF	20% 10V	4822	124	41584
2130	22nF	+80/-20% 25V	4822	126	11585
2131	470nF	16V	4822	122	33325
2132	470nF	16V	4822	122	33325
2131	470nF	+80/-20% 16V	4822	126	13482
2132	470nF	+80/-20% 16V	4822	126	13482
2133	1uF	20% 63V	4822	124	40242
2134	15nF	5% 63V	4822	126	13188
2134	22nF	10% 63V f USA	5322	122	32654
2135	0,22uF	20% 63V	4822	124	40746
2136	15nF	5% 63V	4822	126	13188
2136	22nF	10% 63V f USA	5322	122	32654
2137	0,22uF	20% 63V	4822	124	40746
2138	2,2uF	20% 50V	4822	124	41576
2139	50V	15pF 5%	4822	126	14236
2140	470nF	5% 63V	4822	121	51252
2141	100nF	20% 25V	4822	126	10002
2142	100nF	20% 25V	4822	126	10002
2143	220nF	+80/-20% 50V	4822	126	13473
2144	1uF	20% 63V	4822	124	40242
2145	220pF	5% 50V	4822	122	33575
2146	220pF	5% 50V	4822	122	33575
2147	220pF	5% 50V	4822	122	33575
2148	22nF	+80/-20% 25V	4822	126	11585
2149	22nF	10% 63V	5322	122	32654
2150	100nF	20% 63V	4822	122	31947
2152	560pF	5% 63V f East. Europe	5322	116	80853
2152	33nF	5% 63V	4822	126	12105
2153	12pF	2% 63V f East. Europe	4822	122	32139
2153	15pF	2% 63V	4822	122	32504

S = Safety Part Be sure to use exact replacement part.

2155	Trimmer 3-11pF 100V.	4822	125	60101
2158	10pF 5% 50V f LW version	5322	122	32448
2159	33pF 5% 50V.	5322	122	32659
2160	22nF 10% 63V	5322	122	32654
2161	100nF 20% 25V.	4822	126	10002
2163	100nF 20% 25V.	4822	126	10002
2164	470nF +80/- 20% 16V.	4822	126	13482
2165	100nF 20% 25V.	4822	126	10002
2166	1nF 10% 50V.	5322	122	34123
2167	12pF 2% 63V.	4822	122	32139
2168	82pF 1% 63V.	4822	126	13695
3101	5k6 5% 0,1W f East. Europe	4822	051	20562
3101	33k 5% 0,1W.	4822	051	20333
3102	100k 5% 0,1W.	4822	051	20104
3103	18k 1% 0,1W.	4822	117	10965
3104	180R 1% 0,1W.	4822	117	11448
3105	220R 5% 0,5W.	4822	116	83872
3108	2k2 1% 0,1W f LW version	4822	117	11449
3109	4k7 5% 0,1W f LW version	4822	051	20472
3110	47R 5% 0,5W.	4822	116	52195
3120	OR Jumper 0805	4822	051	20008
3123	4k7 5% 0,1W f LW version	4822	051	20472
3125	10k 1% 0,1W f LW version	4822	117	10833
3128	2k2 1% 0,1W f LW version	4822	117	11449
3132	47R 5% 0,5W.	4822	116	52195
3134	22k 5% 0,1W.	4822	051	20223
3137	22k 5% 0,1W f LW version	4822	051	20223
3140	OR Jumper 0805 5120=CDA10.7MG40K	4822	051	20008
3140	150R 1% 0,1W 5120=CDA10.7MG61KA.	4822	117	10353
3141	56k 5% 0,1W.	4822	051	20563
3142	Trimmer 100k 30% 0,1W.	4822	100	11163
3143	22k 5% 0,1W f RDS version.	4822	051	20223
3144	1k 2% 0,25W f RDS version.	4822	051	10102
3145	2k2 1% 0,1W.	4822	117	11449
3146	22R 5% 0,1W.	4822	051	20229
3152	470R 5% 0,5W.	4822	116	83883
3153	470R 5% 0,1W.	4822	051	20471
3154	150R 5% 0,5W.	4822	116	83868
3155	470R 5% 0,1W.	4822	051	20471
3156	100k 5% 0,1W f /21/30/33 only.	4822	051	20104
3157	100k 5% 0,5W f East. Europe.	4822	116	52234
3158	470R 5% 0,5W.	4822	116	83883
3159	470R 5% 0,5W.	4822	116	83883
3160	470R 5% 0,5W.	4822	116	83883
3161	470R 5% 0,5W.	4822	116	83883
3167	220R 1% 0,1W.	4822	117	11503
3169	150k 5% 0,1W.	4822	051	20154
3170	100k 5% 0,5W.	4822	116	52234
3171	330R 5% 0,5W.	4822	116	52219
3176	1k 2% 0,25W f RDS version.	4822	051	10102
3180	22k 5% 0,1W f LW version	4822	051	20223
4101	OR Jumper 0805 f 2-Band only	4822	051	20008
4102	OR Jumper 0805 f 2-Band only	4822	051	20008
4103	OR Jumper 0805	4822	051	20008
4104	OR Jumper 0805	4822	051	20008
4105	OR Jumper 0805	4822	051	20008
4106	OR Jumper 0805	4822	051	20008
4108	OR Jumper 0805	4822	051	20008
4111	OR Jumper 0805	4822	051	20008
4120	OR Jumper 0805	4822	051	20008
4150	OR Jumper 1206	4822	051	10008
4151	OR Jumper 0805	4822	051	20008
4152	OR Jumper 1206	4822	051	10008
4153	OR Jumper 1206	4822	051	10008
4154	OR Jumper 1206	4822	051	10008
4155	OR Jumper 1206	4822	051	10008
4156	OR Jumper 0805	4822	051	20008
4157	OR Jumper 1206	4822	051	10008
4158	OR Jumper 1206	4822	051	10008
4159	OR Jumper 1206	4822	051	10008
4162	OR Jumper 1206	4822	051	10008
5102	MW RF Coil	4822	157	71634
5103	LW RF Coil f LW version.	4822	157	71635
5109	Ceram Filter 10,7MHz	4822	242	70665
5110	Ceram Filter 10,7MHz	4822	242	70665
5111	AM-IF Filter 450kHz.	4822	158	60511
5112	AM-IF Filter 450kHz.	4822	157	70302
5114	AM-IF Filter 450kHz.	4822	157	70302
5119	Discriminat 10,7MHz.	4822	157	11443
5120	Cer. Disc. 10,7MG40K	4822	242	82065
5120	Cer. Disc. 10,7MG61KA-TF21.	4822	242	10251
5121	Quartz 75kHz	4822	242	10261
5122	Osc. Coil LW f LW version.	4822	157	60517
5123	Osc. Coil MW	4822	157	60517
5130	RF-Coil 1.5T	4822	156	30947
5131	RF-Coil 1.5T	4822	156	30947
6103	1N4148	4822	130	30621
6104	1N4148	4822	130	30621
6105	HNV02H-B.	4822	130	83075
6106	1N4148	4822	130	30621
6107	BZX79-B11.	4822	130	34488
6120	1N4148 not f /21/30/33	4822	130	30621

6130	1SV228	4822	130	82833
6131	1SV228	4822	130	82833
7101	TEA5757H/V1.	4822	209	90924
7102	2SA838B.	4822	130	60093
7103	BC858C f RDS version	4822	130	42513
7104	BC338-40 f LW version.	5322	130	44779
7105	BC338-40 f LW version.	5322	130	44779
7109	BC858B f LW version.	5322	130	41983
7111	BC848C	5322	130	42136
7122	BC848C f LW version.	5322	130	42136
7124	BC848C f LW version.	5322	130	42136

TAPE MODULE

TAPE MODULE				
1	Auteverse Mech. CWE44FR01.	3139	118	77130
1	Non-Auteverse Mech. CWE44FF02	3139	118	77140
3	Screw D3 x 10			
6	Screw M2 x 16			
7	Flex Cable 14 pin 7,5 cm	3139	110	34080

TAPE MECHANISM MTR

TAPE MECHANISM MTR				
31	Mot Assembly	4822	361	11055
91	Screw M2,6 x 5			
92	Screw M2 x 5			

TAPE MECHANISM A - PLAY

TAPE MECHANISM A - PLAY				
1	Play Head (Non-Auteverse deck)	9965	000	02313
1	Play Head (Auteverse deck)	9965	000	02321
12	Pinch Arm Assembly R	4822	402	10972
23	Coil Assembly.	9965	000	02314
32	Flywheel Assembly RV	4822	528	11209
42	Belt AF (Auto reverse deck).	9965	000	02718
69	Spring	4822	492	11761
102	Washer	4822	532	12931
103	Washer	4822	532	12932
104	Washer	4822	532	12933

TAPE MECHANISM B - RECORD/PLAYBACK (Non-Auteverse version)

TAPE MECHANISM B - RECORD/PLAYBACK (Non-Auteverse version)				
1	Play Head.	9965	000	02313
3	Head, Erase.	9965	000	02600
12	Pinch Arm Assembly R	4822	402	10972
23	Coil Assembly.	9965	000	02314
32	Flywheel Assembly RV	4822	528	11209
44-2	Flex Socket 14 Pin	9965	000	02317
44-3	Photo Interrupter.	9965	000	02320
44-4	680R 1% 0,4W	4822	050	16801
44-6	Leaf Switch.	9965	000	02318
44-7	Mode Switch.	9965	000	02319
59	Belt BF (Large).	9965	000	02719
69	Spring	4822	492	11761
102	Washer	4822	532	12931
103	Washer	4822	532	12932
104	Washer	4822	532	12933

TAPE MECHANISM B - RECORD/PLAYBACK (Auteverse version)

TAPE MECHANISM B - RECORD/PLAYBACK (Auteverse version)				
12	Pinch Arm Assembly R	4822	402	10972
23	Coil Assembly.	9965	000	02314
32	Flywheel Assembly RV	4822	528	11209
39	Belt BF.	9965	000	03001
44-2	Flex Socket 14 Pin	9965	000	02317
44-3	Photo Interrupter.	9965	000	02320
44-4	680R 1% 0,4W	4822	050	16801
44-6	Leaf Switch.	9965	000	02318
44-7	Mode Switch.	9965	000	02319
45	Rec/Pb Head Assembly	9965	000	02323
50	Pinch Arm Assembly L	4822	402	10973
54	Flywheel Assembly L.	9965	000	02324
69	Spring	4822	492	11761
73	Spring	4822	492	11762
101	Washer	9965	000	02325
102	Washer	4822	532	12931
103	Washer	4822	532	12932
104	Washer	4822	532	12933
107	Washer	9965	000	02326
109	Washer	9965	000	02327

ETF7 NON-DOLBY BOARD ELECTRICAL PARTS

ETF7 NON-DOLBY BOARD ELECTRICAL PARTS				
1701	Flex Socket 7pin Vert.	4822	267	10953
1706	Flex Socket 7pin Vert.	4822	267	10953
1770	Flex Socket 14pin Vert.	4822	267	51255
2621	1nF 10% 63V.	5322	122	31647
2622	470pF 10% 63V.	5322	122	34099
2623	470pF 10% 63V.	5322	122	34099
2624	100nF 10% 50V.	4822	126	14585
2625	100nF 10% 50V.	4822	126	14585

S = Safety Part Be sure to use exact replacement part.

2701 150pF 2% 63V Auteverse	5322 122 33538	3685 100k 5% 0,5W	4822 116 52234
2701 270pF 5% 63V Non-auteverse	4822 122 33216	3686 100k 1% 0,1W	4822 117 10837
2702 150pF 2% 63V Auteverse	5322 122 33538	3688 680R 1% 0,1W Auteverse	4822 117 10361
2702 270pF 5% 63V Non-auteverse	4822 122 33216	3701 220R 1% 0,1W	4822 117 11503
2703 100pF 5% 50V Auteverse	5322 122 32531	3702 220R 1% 0,1W	4822 117 11503
2703 220pF 5% 63V Non-auteverse	4822 122 33575	3703 220R 1% 0,1W	4822 117 11503
2704 100pF 5% 50V Auteverse	5322 122 32531	3704 220R 1% 0,1W	4822 117 11503
2704 220pF 5% 63V Non-auteverse	4822 122 33575	3705 220R 1% 0,1W	4822 117 11503
2705 220pF 5% 63V	4822 122 33575	3706 220R 1% 0,1W	4822 117 11503
2706 220pF 5% 63V	4822 122 33575	3707 100R 5% 0,1W	4822 051 20101
2707 470pF 10% 63V	5322 122 34099	3708 100R 5% 0,1W	4822 051 20101
2708 470pF 10% 63V	5322 122 34099	3709 10R 5% 0,1W	4822 051 20109
2709 330pF 5% 63V	5322 122 31863	3710 10R 5% 0,1W	4822 051 20109
2710 330pF 5% 63V	5322 122 31863	3711 150k 5% 0,1W	4822 051 20154
2711 100pF 5% 50V	5322 122 32531	3712 150k 5% 0,1W	4822 051 20154
2712 100pF 5% 50V	5322 122 32531	3713 10R 5% 0,1W	4822 051 20109
2713 10uF 20% 63V	4822 124 40248	3714 10R 5% 0,1W	4822 051 20109
2714 10uF 20% 63V	4822 124 40248	3715 1k8 5% 0,1W	4822 051 20182
2715 470uF 20% 10V	4822 124 80195	3716 1k8 5% 0,1W	4822 051 20182
2716 470uF 20% 10V	4822 124 80195	3717 2k2 1% 0,1W	4822 117 11449
2717 10nF 20% 50V Auteverse	4822 122 33177	3718 2k2 1% 0,1W	4822 117 11449
2717 15nF 5% 63V Non-auteverse	4822 126 13188	3719 12k 1% 0,1W	4822 117 11383
2718 10nF 20% 50V Auteverse	4822 122 33177	3720 12k 1% 0,1W	4822 117 11383
2718 15nF 5% 63V Non-auteverse	4822 126 13188	3721 3k9 5% 0,1W	4822 051 20392
2719 33nF 5% 50V	4822 126 12105	3722 3k9 5% 0,1W	4822 051 20392
2720 33nF 5% 50V	4822 126 12105	3723 15k 1% 0,1W Auteverse	4822 116 83933
2721 6,8nF 10% 63V	5322 122 31866	3723 18k 1% 0,1W Non-auteverse	4822 117 10965
2722 6,8nF 10% 63V	5322 122 31866	3724 15k 1% 0,1W Auteverse	4822 116 83933
2723 15nF 5% 63V	4822 126 13188	3724 18k 1% 0,1W Non-auteverse	4822 117 10965
2724 15nF 5% 63V	4822 126 13188	3725 10R 5% 0,1W	4822 051 20109
2725 4,7nF 10% 63V	5322 126 10223	3726 10R 5% 0,1W	4822 051 20109
2726 4,7nF 10% 63V	5322 126 10223	3727 5k6 5% 0,1W Auteverse	4822 051 20562
2727 470pF 10% 63V Auteverse	5322 122 34099	3727 6k8 1% 0,1W Non-auteverse	4822 117 11507
2727 1nF 10% 63V Non-auteverse	5322 122 31647	3728 5k6 5% 0,1W Auteverse	4822 051 20562
2728 470pF 10% 63V Auteverse	5322 122 34099	3728 6k8 1% 0,1W Non-auteverse	4822 117 11507
2728 1nF 10% 63V Non-auteverse	5322 122 31647	3729 3k3 5% 0,1W Auteverse	4822 051 20332
2729 22nF 10% 63V	5322 122 32654	3729 4k7 5% 0,1W Non-auteverse	4822 051 20472
2730 22nF 10% 63V	5322 122 32654	3730 3k3 5% 0,1W Auteverse	4822 051 20332
2733 470pF 10% 63V	5322 122 34099	3730 4k7 5% 0,1W Non-auteverse	4822 051 20472
2734 470pF 10% 63V	5322 122 34099	3731 8k2 5% 0,1W	4822 051 20822
2735 100nF 10% 50V	4822 126 14585	3732 8k2 5% 0,1W	4822 051 20822
2737 100nF 10% 50V	4822 126 14585	3733 1k2 5% 0,1W	4822 051 20122
2738 100nF 10% 50V	4822 126 14585	3734 1k2 5% 0,1W	4822 051 20122
2741 22nF +80/-20% 25V	4822 126 11585	3735 22k 5% 0,1W	4822 051 20223
2742 22nF 10% 63V	5322 122 32654	3736 22k 5% 0,1W	4822 051 20223
2743 22nF 10% 63V	5322 122 32654	3741 2k2 1% 0,1W	4822 117 11449
2744 100nF 10% 50V	4822 126 14585	3742 2k2 1% 0,1W	4822 117 11449
2760 100nF 10% 50V	4822 126 14585	3743 1k5 1% 0,1W Auteverse	4822 117 11139
2761 220uF 20% 25V	4822 124 80144	3743 2k2 1% 0,1W Non-auteverse	4822 117 11449
2762 4,7uF 20% 100V	4822 124 40769	3744 1k5 1% 0,1W Auteverse	4822 117 11139
2763 47uF 20% 25V	4822 124 40433	3744 2k2 1% 0,1W Non-auteverse	4822 117 11449
2765 47uF 20% 25V	4822 124 40433	3745 3k3 5% 0,1W Auteverse	4822 051 20332
2769 470pF 10% 63V	5322 122 34099	3745 5k6 5% 0,1W Non-auteverse	4822 051 20562
2770 470pF 10% 63V	5322 122 34099	3746 3k3 5% 0,1W Auteverse	4822 051 20332
2780 22uF 20% 50V	4822 124 81151	3746 5k6 5% 0,1W Non-auteverse	4822 051 20562
2781 10nF 20% 50V	4822 122 33177	3748 2k2 1% 0,1W	4822 117 11449
2782 4,7nF 10% 63V	5322 126 10223	3749 47k 1% 0,1W	4822 117 10834
2784 15nF 10% 50V	4822 121 51305	3751 10k 1% 0,1W	4822 117 10833
2785 1uF 20% 63V	4822 124 21913	3752 100k 1% 0,1W	4822 117 10837
2786 100pF 5% 50V	5322 122 32531	3753 100k 1% 0,1W	4822 117 10837
2787 33nF 5% 50V	4822 126 12105	3754 1M 5% 0,1W Auteverse	4822 051 20105
3601 2k2 1% 0,1W	4822 117 11449	3754 47R 5% 0,1W Non-auteverse	4822 051 20479
3602 27k 5% 0,1W	4822 051 20273	3755 1M 5% 0,1W Auteverse	4822 051 20105
3603 2k2 1% 0,1W	4822 117 11449	3755 47R 5% 0,1W Non-auteverse	4822 051 20479
3604 56k 1% 0,1W	4822 117 11148	3756 220k 1% 0,1W	4822 117 13579
3605 2k2 1% 0,1W	4822 117 11449	3757 220k 1% 0,1W	4822 117 13579
3606 120k 5% 0,1W	4822 051 20124	3758 10k 1% 0,1W	4822 117 10833
3607 2k2 5% 0,5W	4822 116 52256	3759 10k 1% 0,1W	4822 117 10833
3608 27k 5% 0,1W	4822 051 20273	3760 120R 5% 0,1W	4822 051 20121
3609 2k2 5% 0,5W	4822 116 52256	3761 10k 1% 0,6W	4822 050 21003
3610 120k 5% 0,1W	4822 051 20124	3762 820R 1% 0,1W	4822 117 11454
3611 2k2 5% 0,5W	4822 116 52256	3763 150k 5% 0,1W	4822 051 20154
3612 56k 1% 0,1W	4822 117 11148	3764 220R 5% 0,5W	4822 116 83872
3613 27k 5% 0,1W	4822 051 20273	3765 39k 5% 0,1W	4822 051 20393
3614 27k 5% 0,1W	4822 051 20273	3766 4M7 5% 0,1W	4822 051 20475
3616 10k 1% 0,1W Auteverse	4822 117 10833	3767 4M7 5% 0,1W	4822 051 20475
3616 1k 2% 0,25W Non-auteverse	4822 051 10102	3768 10k 1% 0,1W	4822 117 10833
3618 6k8 1% 0,1W Auteverse	4822 117 11507	3769 12k 1% 0,1W Auteverse	4822 117 11383
3620 Trimmer 10k 30% 0,1W Autev.	4822 100 11141	3769 8k2 5% 0,1W Non-auteverse	4822 051 20822
3622 Trimmer 10k 30% 0,1W Non-autev.	4822 100 11141	3770 1k5 1% 0,1W	4822 117 11139
3623 100k 1% 0,1W	4822 117 10837	3771 1k2 5% 0,1W	4822 051 20122
3624 100k 1% 0,1W	4822 117 10837	3772 6k8 1% 0,1W Auteverse	4822 117 11507
3625 1k 2% 0,25W	4822 051 10102	3772 5k6 5% 0,1W Non-auteverse	4822 051 20562
3626 1k 2% 0,25W	4822 051 10102	3773 Trimmer 4k7 30% 0,1W	4822 100 12227
3628 100k 1% 0,1W	4822 117 10837	3774 15k 1% 0,1W Auteverse	4822 116 83933
3630 470R 5% 0,1W	4822 051 20471	3774 8k2 5% 0,1W Non-auteverse	4822 051 20822
3672 4k7 5% 0,1W Auteverse	4822 051 20472	3775 4R7 5% 0,1W	4822 051 20478
3674 4k7 5% 0,5W	4822 116 52283	3776 6k8 1% 0,1W	4822 117 11507
3676 47k 1% 0,1W Auteverse	4822 117 10834	3777 150R 1% 0,1W	4822 117 10353
3678 47k 1% 0,1W	4822 117 10834	3778 6R8 5% 0,33W	4822 052 10688
3679 47k 1% 0,1W	4822 117 10834	3779 330k 5% 0,1W	4822 051 20334
3680 47k 1% 0,1W	4822 117 10834	3780 1M 5% 0,1W	4822 051 20105

S = Safety Part Be sure to use exact replacement part.

3781	4M7	5%	0,1W.	4822	051	20475
3784	1k	2%	0,25W.	4822	051	10102
3786	22k	5%	0,1W.	4822	051	20223
3787	1M	5%	0,1W	4822	051	20105
3788	1M	5%	0,1W	4822	051	20105
3789	47k	1%	0,1W.	4822	117	10834
4701	OR	Jumper	0805	4822	051	20008
4702	OR	Jumper	0805	4822	051	20008
4703	OR	Jumper	0805	4822	051	20008
4704	OR	Jumper	0805	4822	051	20008
4705	OR	Jumper	0805	4822	051	20008
4706	OR	Jumper	0805	4822	051	20008
4707	OR	Jumper	0805	4822	051	20008
4708	OR	Jumper	0805	4822	051	20008
4709	OR	Jumper	0805	4822	051	20008
4710	OR	Jumper	0805	4822	051	20008
4711	OR	Jumper	0805	4822	051	20008
4712	OR	Jumper	0805	4822	051	20008
4713	OR	Jumper	0805	4822	051	20008
4714	OR	Jumper	0805	4822	051	20008
4715	OR	Jumper	0805	4822	051	20008
4716	OR	Jumper	0805	4822	051	20008
4717	OR	Jumper	0805	4822	051	20008
4718	OR	Jumper	0805	4822	051	20008
4719	OR	Jumper	0805	4822	051	20008
4720	OR	Jumper	0805	4822	051	20008
4721	OR	Jumper	0805	4822	051	20008
4722	OR	Jumper	0805	4822	051	20008
4723	OR	Jumper	0805	4822	051	20008
4724	OR	Jumper	0805	4822	051	20008
4725	OR	Jumper	0805	4822	051	20008
4726	OR	Jumper	0805	4822	051	20008
4727	OR	Jumper	0805	4822	051	20008
4728	OR	Jumper	0805	4822	051	20008
4729	OR	Jumper	0805	4822	051	20008
4730	OR	Jumper	0805	4822	051	20008
4731	OR	Jumper	0805	4822	051	20008
4732	OR	Jumper	0805	4822	051	20008
4733	OR	Jumper	0805	4822	051	20008
4734	OR	Jumper	0805	4822	051	20008
4735	OR	Jumper	0805	4822	051	20008
4736	OR	Jumper	0805	4822	051	20008
4737	OR	Jumper	0805	4822	051	20008
4738	OR	Jumper	0805	4822	051	20008
4739	OR	Jumper	0805	4822	051	20008
4740	OR	Jumper	0805	4822	051	20008
4741	OR	Jumper	0805	4822	051	20008
4742	OR	Jumper	0805	4822	051	20008
4744	OR	Jumper	0805	4822	051	20008
4745	OR	Jumper	0805	4822	051	20008
4746	OR	Jumper	0805	4822	051	20008
4748	OR	Jumper	0805	4822	051	20008
4785	OR	Jumper	0805	4822	051	20008
4790	OR	Jumper	0805	4822	051	20008
4794	OR	Jumper	0805	4822	051	20008
4795	OR	Jumper	0805	4822	051	20008
5701	Coil	2,2uH	5%	4822	157	11477
5703	Osc	Coil	100kHz	4822	156	20946
6611	IN4003G.			4822	130	31878
6612	IN4003G.			4822	130	31878
6614	IN4148	Auteverse		4822	130	30621
6770	IN4148			4822	130	30621
6771	IN4148			4822	130	30621
6772	IN4148			4822	130	30621
6773	IN4148			4822	130	30621
6774	IN4148			4822	130	30621
6775	IN4148			4822	130	30621
6776	IN4148			4822	130	30621
6777	BZX79-F8V2			4822	130	34382
6778	IN4148			4822	130	30621
6782	IN4148			4822	130	30621
6785	IN4148			4822	130	30621
6786	IN4148			4822	130	30621
7610	HEF4094BT.			5322	209	11306
7612	BC807-25			5322	130	60845
7613	BC807-25			5322	130	60845
7614	BC807-25			5322	130	60845
7616	BC857B			4822	130	60373
7618	BC847B	Auteverse		4822	130	60511
7619	BC847B			4822	130	60511
7620	BC847B			4822	130	60511
7622	BC847B	Auteverse		4822	130	60511
7623	BC847B			4822	130	60511
7624	BC847B			4822	130	60511
7710	HEF4952BT.			4822	209	32919
7720	AN7323S.			9322	140	00668
7730	HEF4952BT.			4822	209	32919
7740	HEF4952BT.			4822	209	32919
7780	BC847B			4822	130	60511
7781	BC817-25			4822	130	42804
7782	BC557B			4822	130	44568
7783	BC847B			4822	130	60511

7784	BC857B			4822	130	60373
7786	J111			4822	130	63494
7787	BC847B			4822	130	60511
7791	BC847B			4822	130	60511
7792	BC847B			4822	130	60511
3CDC-LC DRAWER ASSEMBLY MECHANICAL PARTS						
3CDC-LC DRAWER ASSEMBLY MECHANICAL PARTS						
0020	DRAWER			3103	304	66500
0021	CARROUSELL			3103	304	66490
0022	PULLEY-DRAWER.			3103	304	06860
0023	ECCENTRIC.			3103	304	06850
0024	NAIL			3103	304	06980
0025	DRIVING-BELT-CARROUSEL			3103	304	66850
0027	BUSH DRAWER.			4822	532	12365
0027	BUSH DRAWER / BWC Version.			3103	304	07100
0029	BRACKET-DISC			3103	304	66550
0030	TUMBLER.			3103	304	66520
0031	SPRING-DISC.			3103	301	06470
0032	CONTROL-DISC			3103	304	06920
0033	WASHER			3103	304	06970
0034	GEAR-1			3103	304	06870
0037	MTR ASSY			4822	361	10753
3CDC-LC MODULE MECHANICAL PARTS						
3CDC-LC MODULE MECHANICAL PARTS						
0021	CLAMPER ASSY-VAM			3140	117	58650
0030	SUPPORT.			3103	304	66560
0031	DAMPER - RUBBER (25DEG).			4822	529	10431
0032	DAMPER - RUBBER (25DEG).			4822	529	10431
0033	WASHER			3103	304	06970
0035	VAM2201/01			4822	691	10772
0041	FRAME.			3103	304	66480
0042	BRACKET-GUIDING.			3103	304	66540
0043	SPRING-GUIDING			3103	301	06460
0044	GEAR-3			3103	304	06890
0045	NAIL			3103	304	06980
0046	GEAR-2			3103	304	06880
0047	BRACKET-LOAD			3103	304	66530
0048	CAM.			3103	304	06910
0049	GUIDING.			3103	304	66510
0051	GEAR-4			3103	304	06900
0052	GEAR-1			3103	304	06870
0053	PULLEY-FRAME			3103	304	06960
0054	DRIVING-BELT-DRAWER.			3103	304	66910
0055	MTR ASSY			4822	361	10753
0056	SCREW M2,6X2,9			4822	502	12548
0057	COVER-VAM.			3103	304	68890
0059	RUBBER			4822	466	12146
ELEC	LIST - 3CDC-LC MODULE.			OTRI	CAL	PARTS
1800	Flex Foil Connect 15P.			4822	265	10925
1805	Flex Foil Connect 15P.			4822	265	10979
1805	Flex Foil Connect 19P.			4822	265	11545
1805	Flex Foil Connect 23P.			4822	265	11182
1810	RES XTL 8MHz4672			4822	242	10849
1810	RES CER 8MHz467.			4822	242	73557
1875	Flex Foil Connect 5P.			4822	267	10958
1876	Flex Foil Connect 5P.			2422	025	08332
1880	Switch			4822	276	13503
1881	Switch			4822	276	13503
1882	Switch			4822	276	13503
1883	Switch			4822	276	13503
8002	Flex Foil 5P 200mm			3103	308	91990
8005	Flex Foil 15P 170mm.			3103	308	91980
2800	180pF 5% 63V			4822	126	10326
2801	220pF 5% 63V			4822	122	33575
2802	180pF 5% 63V			4822	126	10326
2803	220pF 5% 63V			4822	122	33575
2805	220pF 5% 63V			4822	122	33575
2806	220pF 5% 63V			4822	122	33575
2807	330pF 5% 63V			5322	122	31863
2808	220pF 5% 63V			4822	122	33575
2809	470nF 20% 50V.			5322	124	41948
2810	180pF 5% 63V			4822	126	10326
2811	220pF 5% 63V			4822	122	33575
2815	220nF +80/-20% 25V			4822	126	14076
2816	1,5nF 5% 63V			4822	126	13344
2818	1,5nF 5% 63V			4822	126	13344
2822	2,2nF 5% 50V			2222	861	15222
2823	47pF 1% 63V.			4822	126	13692
2824	47nF 10% 63V			4822	126	13751
2825	10nF 20% 50V			4822	122	33177
2826	47uF 20% 4V.			4822	124	12362
2828	47uF 20% 4V.			4822	124	12362
2829	22nF 10% 63V			5322	122	32654
2830	47nF 10% 63V			4822	126	13751
2831	100pF 5% 50V			5322	122	32531
2832	100pF 5% 50V			5322	122	32531
2833	33pF 5% 50V.			5322	122	32659
2834	33pF 5% 50V.			5322	122	32659
2835	47nF 10% 63V			4822	126	13751
2837	47uF 20% 25V			4822	124	40433

S = Safety Part Be sure to use exact replacement part.

2838	10uF 20% 63V	4822 124 40248	3828	22k 5% 0,1W	4822 051 20223
2839	47uF 20% 25V	4822 124 40433	3831	100R 5% 0,1W	4822 051 20101
2840	100nF 10% 50V	4822 126 14585	3832	10k 1% 0,1W	4822 117 10833
2841	270pF 5% 50V	4822 122 33216	3833	22k 5% 0,1W	4822 051 20223
2842	2,2nF 10% 63V	4822 122 33127	3834	22k 5% 0,1W	4822 051 20223
2844	270pF 5% 50V	4822 122 33216	3835	3R3 5% 0,33W	4822 052 10338
2849	4,7uF 20% 100V	4822 124 40769	3837	1k 2% 0,25W	4822 051 10102
2850	1nF 10% 63V	5322 122 31647	3838	1k 2% 0,25W	4822 051 10102
2851	220uF 20% 4V	4822 124 42383	3839	100k 1% 0,1W	4822 117 10837
2852	47nF 10% 63V	4822 126 13751	3840	100k 1% 0,1W	4822 117 10837
2853	22nF 10% 63V	5322 122 32654	3841	4k7 5% 0,1W	4822 051 20472
2854	47nF 10% 63V	4822 126 13751	3842	47k 1% 0,1W	4822 117 10834
2855	470pF 10% 63V	5322 122 34099	3843	33k 5% 0,1W	4822 051 20333
2856	27pF 1% 63V	4822 126 13691	3844	4k7 5% 0,1W	4822 051 20472
2857	10nF 20% 50V	4822 122 33177	3845	47k 1% 0,1W	4822 117 10834
2858	220uF 20%	4822 124 12245	3846	33k 5% 0,1W	4822 051 20333
2859	10nF 20% 50V	4822 122 33177	3847	6k8 1% 0,1W	4822 117 11507
2860	10uF 20% 16V	4822 124 11947	3848	100k 1% 0,1W	4822 117 10837
2861	10uF 20% 16V	4822 124 11947	3849	100k 1% 0,1W	4822 117 10837
2862	220pF 5% 63V	4822 122 33575	3850	3k9 5% 0,1W	4822 051 20392
2863	220pF 5% 63V	4822 122 33575	3851	3R3 5% 0,33W	4822 052 10338
2864	22pF 5% 50V	5322 122 32658	3852	2R2 5% 0,33W	4822 052 10228
2865	22nF 10% 63V	5322 122 32654	3853	470R 5% 0,1W	4822 051 20471
2867	220pF 5% 63V	4822 122 33575	3854	100R 5% 0,1W	4822 051 20101
2869	47nF 10% 63V	4822 126 13751	3855	100R 5% 0,1W	4822 051 20101
2872	47nF 10% 63V	4822 126 13751	3856	68R 1% 0,1W	4822 117 12521
2873	47uF 20% 16V	4822 124 80231	3857	68R 1% 0,1W	4822 117 12521
2875	10uF 20% 16V	4822 124 11947	3858	22k 5% 0,1W	4822 051 20223
2876	220uF 20%	4822 124 12245	3859	22k 5% 0,1W	4822 051 20223
2877	47pF 1% 63V	4822 126 13692	3860	10k 1% 0,1W	4822 117 10833
2878	220pF 5% 63V	4822 122 33575	3861	10k 1% 0,1W	4822 117 10833
2879	47nF 10% 63V	4822 126 13751	3862	120R 5% 0,1W	4822 051 20121
2881	4,7uF 20% 100V	4822 124 40769	3863	100R 5% 0,1W	4822 051 20101
2882	220pF 5% 63V	4822 122 33575	3863	33R 5% 0,1W	4822 051 20339
2884	4,7uF 20% 100V	4822 124 40769	3864	100R 5% 0,1W	4822 051 20101
2885	4,7uF 20% 100V	4822 124 40769	3866	10k 1% 0,1W	4822 117 10833
2887	100nF 10% 50V	4822 126 14585	3867	120R 5% 0,1W	4822 051 20121
2888	4,7uF 20% 100V	4822 124 40769	3869	4R7 5% 0,1W	4822 051 20478
2891	1,5nF 10% 63V	5322 122 31865	3870	100R 5% 0,1W	4822 051 20101
2892	4,7nF 10% 63V	5322 126 10223	3871	10k 1% 0,1W	4822 117 10833
2893	220pF 5% 63V	4822 122 33575	3873	470R 5% 0,1W	4822 051 20471
3700	470R 5% 0,1W	4822 051 20471	3875	10k 1% 0,1W	4822 117 10833
3705	220R 1% 0,1W	4822 117 11503	3876	100k 1% 0,1W	4822 117 10837
3706	470R 5% 0,1W	4822 051 20471	3877	10k 1% 0,1W	4822 117 10833
3707	470R 5% 0,1W	4822 051 20471	3878	10k 1% 0,1W	4822 117 10833
3708	470R 5% 0,1W	4822 051 20471	3879	100k 1% 0,1W	4822 117 10837
3709	1R 5% 0,1W	4822 051 20108	3880	3k9 5% 0,1W	4822 051 20392
3711	10k 1% 0,1W	4822 117 10833	3881	100k 1% 0,1W	4822 117 10837
3712	10R 5% 0,1W	4822 051 20109	3882	47k 1% 0,1W	4822 117 10834
3713	22k 5% 0,1W	4822 051 20223	3883	10k 1% 0,1W	4822 117 10833
3714	10k 1% 0,1W	4822 117 10833	3884	270R 1% 0,1W	4822 117 11504
3715	100k 1% 0,1W	4822 117 10837	3885	10k 1% 0,1W	4822 117 10833
3716	470R 5% 0,1W	4822 051 20471	3886	47k 1% 0,1W	4822 117 10834
3718	4k7 5% 0,1W	4822 051 20472	3887	220R 1% 0,1W	4822 117 11503
3727	4k7 5% 0,1W	4822 051 20472	3888	10k 1% 0,1W	4822 117 10833
3728	4k7 5% 0,1W	4822 051 20472	3889	470R 5% 0,1W	4822 051 20471
3730	33k 5% 0,1W	4822 051 20333	3890	1k 2% 0,25W	4822 051 10102
3731	10k 1% 0,1W	4822 117 10833	3891	1k 2% 0,25W	4822 051 10102
3732	470R 5% 0,1W	4822 051 20471	3892	470R 5% 0,1W	4822 051 20471
3733	470R 5% 0,1W	4822 051 20471	3893	470R 5% 0,1W	4822 051 20471
3734	470R 5% 0,1W	4822 051 20471	3894	100R 5% 0,1W	4822 051 20101
3740	22k 5% 0,1W	4822 051 20223	3895	15R 5% 0,1W	4822 051 20159
3741	22k 5% 0,1W	4822 051 20223	3897	100R 5% 0,1W	4822 051 20101
3742	22k 5% 0,1W	4822 051 20223	3898	220R 1% 0,1W	4822 117 11503
3743	22k 5% 0,1W	4822 051 20223	3899	100R 5% 0,1W	4822 051 20101
3744	10k 1% 0,1W	4822 117 10833	4800	OR Jumper 0805	4822 051 20008
3746	10k 1% 0,1W	4822 117 10833	4801	OR Jumper 0805	4822 051 20008
3750	1k 2% 0,25W	4822 051 10102	4802	OR Jumper 0805	4822 051 20008
3751	1k 2% 0,25W	4822 051 10102	4804	OR Jumper 0805	4822 051 20008
3800	56k 1% 0,1W	4822 117 11148	4805	OR Jumper 0805	4822 051 20008
3801	10k 1% 0,1W	4822 117 10833	4806	OR Jumper 0805	4822 051 20008
3802	56k 1% 0,1W	4822 117 11148	4807	OR Jumper 0805	4822 051 20008
3803	10k 1% 0,1W	4822 117 10833	4808	OR Jumper 0805	4822 051 20008
3804	10k 1% 0,1W	4822 117 10833	4810	OR Jumper 0805	4822 051 20008
3805	10k 1% 0,1W	4822 117 10833	4812	OR Jumper 0805	4822 051 20008
3806	10k 1% 0,1W	4822 117 10833	4817	OR Jumper 0805	4822 051 20008
3807	10k 1% 0,1W	4822 117 10833	4818	OR Jumper 0805	4822 051 20008
3808	10k 1% 0,1W	4822 117 10833	4819	OR Jumper 0805	4822 051 20008
3809	330R 1% 1,25W	4822 117 13577	4820	OR Jumper 0805	4822 051 20008
3811	18k 1% 0,1W	4822 117 10965	4821	OR Jumper 0805	4822 051 20008
3812	2R2 5% 1W	4822 053 10228	4822	OR Jumper 0805	4822 051 20008
3814	33R 5% 0,1W	4822 051 20339	4823	OR Jumper 0805	4822 051 20008
3815	! 4R7 5% 0,33W	4822 052 10478	4824	OR Jumper 0805	4822 051 20008
3819	470R 5% 0,1W	4822 051 20471	4825	OR Jumper 0805	4822 051 20008
3820	4k7 5% 0,1W	4822 051 20472	4826	OR Jumper 0805	4822 051 20008
3821	4k7 5% 0,1W	4822 051 20472	4827	OR Jumper 0805	4822 051 20008
3822	2k7 1% 0,1W	4822 117 12955	4828	OR Jumper 0805	4822 051 20008
3823	1k 2% 0,25W	4822 051 10102	4830	OR Jumper 0805	4822 051 20008
3824	1k 2% 0,25W	4822 051 10102	4831	OR Jumper 0805	4822 051 20008
3825	1k 2% 0,25W	4822 051 10102	4832	OR Jumper 0805	4822 051 20008
3826	22k 5% 0,1W	4822 051 20223	4833	OR Jumper 0805	4822 051 20008
3827	33k 5% 0,1W	4822 051 20333	4834	OR Jumper 0805	4822 051 20008

S = Safety Part Be sure to use exact replacement part.

4835 OR Jumper 0805	4822 051 20008	2334 47uF 20% 25V	4822 124 40433
4836 OR Jumper 0805	4822 051 20008	2335 680pF 10% 63V.	4822 122 32535
4837 OR Jumper 0805	4822 051 20008	2336 680pF 10% 63V.	4822 122 32535
4838 OR Jumper 0805	4822 051 20008	2337 4,7uF 20% 100V	4822 124 40769
4839 OR Jumper 0805	4822 051 20008	2338 4,7uF 20% 100V	4822 124 40769
4840 OR Jumper 0805	4822 051 20008	2339 220uF 20% 25V.	4822 124 80144
4841 OR Jumper 0805	4822 051 20008	2340 4,7nF 10% 63V.	5322 126 10223
4842 OR Jumper 0805	4822 051 20008	2341 680pF 10% 63V.	4822 122 32535
4843 OR Jumper 0805	4822 051 20008	2342 100uF 20% 25V.	4822 124 40207
4844 OR Jumper 0805	4822 051 20008	2343 22pF 5% 50V.	5322 122 32658
4845 OR Jumper 0805	4822 051 20008	2344 22pF 5% 50V.	5322 122 32658
4846 OR Jumper 0805	4822 051 20008	2345 100nF 10% 50V.	4822 126 14585
4847 OR Jumper 0805	4822 051 20008	2346 100nF 10% 50V.	4822 126 14585
4848 OR Jumper 0805	4822 051 20008	2347 220nF 5% 63V	4822 121 42408
4849 OR Jumper 0805	4822 051 20008	2348 220nF 5% 63V	4822 121 42408
4876 OR Jumper 0805	4822 051 20008	2349 220nF 5% 63V	4822 121 42408
5802 100uH.	4822 156 31058	2350 220nF 5% 63V	4822 121 42408
6871 BAS216	4822 130 83757	2351 220uF 20% 25V.	4822 124 80144
6872 BAS216	4822 130 83757	2352 220uF 20% 25V.	4822 124 80144
6873 BAS216	4822 130 83757	2353 220uF 20% 25V.	4822 124 80144
6874 BAS216	4822 130 83757	2354 4,7uF 20% 100V	4822 124 40769
6875 BZX284-C5V1.	4822 130 11383	2355 2,2nF 10% 63V.	4822 122 33127
6877 BZX284-C3V9.	4822 130 11366	2356 1uF 20% 63V.	4822 124 21913
6878 BAS216	4822 130 83757	2357 47uF 20% 25V	4822 124 40433
6879 BZX284-C3V9.	4822 130 11366	2358 10nF 20% 50V	4822 122 33177
7801 IC SM TZA1025T/V2.	9352 622 36118	2359 10nF 20% 50V	4822 122 33177
7805 TDA1308T/N1.	4822 209 33165	2360 22nF 10% 63V	5322 122 32654
7806 TDA7073A/N2.	4822 209 32852	2361 22nF 10% 63V	5322 122 32654
7807 TDA7073A/N2.	4822 209 32852	2362 680pF 10% 63V.	4822 122 32535
7812 BC847B	4822 130 60511	2363 47pF 1% 63V.	4822 126 13692
7871 TDA7073A/N2.	4822 209 32852	2364 680pF 10% 63V.	4822 122 32535
7873 HEF4094BT.	5322 209 11306	2365 680pF 10% 63V.	4822 122 32535
7874 BC847B	4822 130 60511	2370 22uF 20% 50V	4822 124 81151
7875 BC847B	4822 130 60511	2400 10pF 5% 63V.	5322 122 32448
7876 LC89170M	4822 209 16143	2401 10pF 5% 63V.	5322 122 32448
7877 SAA7325H	4822 209 17324	2402 1nF 10% 63V.	5322 122 31647
		2405 47uF 20% 25V	4822 124 40433
		2460 100uF 20% 25V.	4822 124 40207
		2469 100nF 10% 50V.	4822 126 14585
		2501 470pF 10% 50V.	5322 122 32268
		2502 470pF 10% 50V.	5322 122 32268
		2503 47uF 20% 25V	4822 124 40433
		2504 47uF 20% 25V	4822 124 40433
		2505 47uF 20% 25V	4822 124 40433
		2506 3,3nF 10% 63V.	4822 122 33891
		2507 22uF 20% 50V	4822 124 81151
		2508 1uF +80/-20% 16V	4822 126 14043
		2509 1uF +80/-20% 16V	4822 126 14043
		2510 470pF 10% 63V.	5322 122 34099
		2511 470pF 10% 63V.	5322 122 34099
		2512 470pF 10% 63V.	5322 122 34099
		2513 470pF 10% 63V.	5322 122 34099
		2514 100nF 10% 50V.	4822 126 14585
		2515 100nF 10% 50V.	4822 126 14585
		2517 22pF 5% 50V.	5322 122 32658
		2524 33pF 5% 50V.	5322 122 32659
		2525 33pF 5% 50V.	5322 122 32659
		2526 22nF 5% 250V	4822 121 41856
		2527 22nF 5% 250V	4822 121 41856
		2528 47nF 10% 63V	4822 126 13751
		2529 47nF 10% 63V	4822 126 13751
		2530 27pF 1% 63V.	4822 126 13691
		2531 27pF 1% 63V.	4822 126 13691
		2532 180pF 5% 63V	4822 126 10326
		2533 180pF 5% 63V	4822 126 10326
		2534 1,5nF 10% 63V.	5322 122 31865
		2535 1,5nF 10% 63V.	5322 122 31865
		2536 470uF 20% 10V.	4822 124 80195
		2537 100nF +80/-20% 50V	4822 126 13838
		2538 100nF +80/-20% 50V	4822 126 13838
		2541 100nF +80/-20% 50V	4822 126 13838
		2542 100nF +80/-20% 50V	4822 126 13838
		2545 100nF +80/-20% 50V	4822 126 13838
		2546 100nF +80/-20% 50V	4822 126 13838
		2547 100uF 20% 25V.	4822 124 40207
		2549 150nF 5% 63V	4822 121 41854
		2550 150nF 5% 63V	4822 121 41854
		2551 1uF +80/-20% 16V	4822 126 14043
		2552 1uF +80/-20% 16V	4822 126 14043
		2553 330pF 5% 63V	5322 122 31863
		2554 330pF 5% 63V	5322 122 31863
		2557 330pF 5% 63V	5322 122 31863
		2558 330pF 5% 63V	5322 122 31863
		2559 1uF +80/-20% 16V	4822 126 14043
		2560 1uF +80/-20% 16V	4822 126 14043
		2561 100nF 10% 50V.	4822 126 14585
		2563 22nF 10% 63V	5322 122 32654
		2564 330pF 5% 63V	5322 122 31863
		2565 330pF 5% 63V	5322 122 31863
		2566 100nF +80/-20% 50V	4822 126 13838
		2567 22nF 10% 63V	5322 122 32654
		2568 68pF 1% 63V.	4822 126 13694

COMBI BOARD ELECTRICAL PARTS
COMBI BOARD ELECTRICAL PARTS

1201 Mains Socket /21/21M/30	4822 265 31015
1201 Mains Socket /37.	4822 265 31016
1202 Voltage Select /21/21M.	4822 272 10269
1205 Fuse T2A 250V /21/21M	4822 071 52002
1206 Fuse T5A 250V.	4822 071 55002
1207 Fuse T5A 250V /21/21M/30.	4822 071 55002
1207 Fuse T6,3A 250V /37	4822 252 51123
1208 Fuse T315mA 250V /21/21M/30.	4822 071 53151
1208 Fuse T315mA 250V /37.	4822 252 51151
1322 Loudspeaker Socket L/R	4822 267 31176
1323 Loudspeaker Socket Matrix.	2422 015 18280
1324 Headphone Socket	4822 265 11547
1325 Sub-woofer out Socket.	4822 267 31729
1431 Tact Switch.	4822 276 13775
1432 Tact Switch.	4822 276 13775
1433 Tact Switch.	4822 276 13775
1434 Tact Switch.	4822 276 13775
1435 Tact Switch.	4822 276 13775
1507 Aux-in Socket.	4822 265 20553
1508 Flex Socket 16pin Vert..	2422 025 14526
1509 Flex Socket 15pin Vert..	4822 265 10981
1510 Flex Socket 9pin Vert.	4822 265 11532
1517 Flex Socket 6pin Vert.	4822 267 10731
1642 Mic Socket /21/21M.	4822 265 11529
2219 330uF 20% 35V	4822 124 42367
2220 100nF 5% 63V	5322 121 42386
2221 100nF 5% 63V	5322 121 42386
2222 1uF 20% 63V.	4822 124 21913
2223 1uF 20% 63V.	4822 124 21913
2224 47nF 5% 250V	4822 121 43526
2226 220uF 20% 25V.	4822 124 80144
2227 100uF 20% 63V.	4822 124 40255
2228 47uF 20% 50V	4822 124 41751
2229 100nF 5% 63V	5322 121 42386
2234 10nF 10% 63V	5322 122 34098
2242 4700uF 20% 50V	4822 124 80415
2245 1000uF 20% 16V	4822 124 81144
2246 1nF 10% 63V.	5322 122 31647
2247 1nF 10% 63V.	5322 122 31647
2248 47uF 20% 25V	4822 124 40433
2249 47nF 5% 250V	4822 121 43526
2301 22nF 10% 63V	5322 122 32654
2302 22nF 10% 63V	5322 122 32654
2303 22nF 10% 63V	5322 122 32654
2321 100pF 5% 50V	5322 122 32531
2322 100pF 5% 50V	5322 122 32531
2323 1uF +80/-20% 16V	4822 126 14043
2324 1uF +80/-20% 16V	4822 126 14043
2327 470pF 10% 63V.	5322 122 34099
2328 470pF 10% 63V.	5322 122 34099
2331 220pF 5% 63V	4822 122 33575
2332 220pF 5% 63V	4822 122 33575
2333 47uF 20% 25V	4822 124 40433

S = Safety Part Be sure to use exact replacement part.

2569	2,2nF	10%	63V.	4822	122	33127	3336	27k	5%	0,1W.	4822	051	20273
2570	680pF	10%	63V.	4822	122	32535	3337	47R	5%	0,1W.	4822	051	20479
2571	680pF	10%	63V.	4822	122	32535	3338	47R	5%	0,1W.	4822	051	20479
2572	100nF	+80/-20%	50V	4822	126	13838	3339	47R	5%	0,1W.	4822	051	20479
2573	4,7uF	20%	100V	4822	124	40769	3340	47R	5%	0,1W.	4822	051	20479
2574	4,7uF	20%	100V	4822	124	40769	3341	1k	2%	0,25W.	4822	051	10102
2575	18pF	1%	63V.	4822	126	13689	3342	1k	2%	0,25W.	4822	051	10102
2576	18pF	1%	63V.	4822	126	13689	3343	150k	5%	0,1W	4822	051	20154
2577	470uF	20%	10V.	4822	124	80195	3344	150k	5%	0,1W	4822	051	20154
2578	100uF	20%	25V.	4822	124	40207	3345	12k	1%	0,1W.	4822	117	11383
2580	47uF	20%	25V	4822	124	40433	3346	12k	1%	0,1W.	4822	117	11383
2581	470uF	20%	16V.	4822	124	80791	3347	10k	1%	0,1W.	4822	117	10833
2584	47pF	1%	63V.	4822	126	13692	3348	10k	1%	0,1W.	4822	117	10833
2585	47pF	1%	63V.	4822	126	13692	3349	10k	1%	0,1W.	4822	117	10833
2588	680pF	10%	63V.	4822	122	32535	3350	10k	1%	0,1W.	4822	117	10833
2589	330pF	5%	63V	5322	122	31863	3351	2R2	5%	0,1W.	4822	051	20228
2591	680pF	10%	63V.	4822	122	32535	3352	2R2	5%	0,1W.	4822	051	20228
2592	680pF	10%	63V.	4822	122	32535	3353	2R2	5%	0,1W.	4822	051	20228
2593	47pF	1%	63V.	4822	126	13692	3354	2R2	5%	0,1W.	4822	051	20228
2594	47pF	1%	63V.	4822	126	13692	3356	220R	5%	0,5W	4822	116	83872
2597	1,5nF	10%	63V.	5322	122	31865	3357	220R	5%	0,5W	4822	116	83872
2598	330pF	5%	63V	5322	122	31863	3358	220R	5%	0,5W	4822	116	83872
2599	22nF	10%	63V	5322	122	32654	3359	220R	5%	0,5W	4822	116	83872
2641	4,7nF	10%	63V.	5322	126	10223	3360	220R	5%	0,5W	4822	116	83872
2642	100nF	5%	63V	5322	121	42386	3361	1k8	5%	0,5W.	4822	116	52249
2643	1nF	10%	63V.	5322	122	31647	3362	1k8	5%	0,5W.	4822	116	52249
2644	220uF	20%	25V.	4822	124	80144	3363	1k8	5%	0,5W.	4822	116	52249
2645	0,47uF	20%	63V	4822	124	41407	3364	470R	5%	0,1W	4822	051	20471
2647	1uF	20%	63V.	4822	124	21913	3365	220R	5%	0,5W	4822	116	83872
2648	1uF	20%	63V.	4822	124	21913	3366	4k7	5%	0,5W.	4822	116	52283
2649	680pF	10%	63V.	4822	122	32535	3367	1k	2%	0,25W.	4822	051	10102
2650	680pF	10%	63V.	4822	122	32535	3368	1k	2%	0,25W.	4822	051	10102
2651	0,47uF	20%	63V	4822	124	41407	3369	1k	2%	0,25W.	4822	051	10102
3208	10M	5%	0,5W.	4822	053	21106	3370	1k	2%	0,25W.	4822	051	10102
3209	4R7	5%	0,1W.	4822	051	20478	3371	150R	1%	0,1W	4822	117	10353
3210	4R7	5%	0,1W.	4822	051	20478	3372	10R	5%	0,1W.	4822	051	20109
3212	10R	5%	0,1W.	4822	051	20109	3373	330R	5%	0,5W	4822	116	52219
3213	1k2	5%	0,1W.	4822	051	20122	3374	220R	5%	0,5W	4822	116	83872
3214	4R7	5%	0,1W.	4822	051	20478	3379	4k7	5%	0,1W.	4822	051	20472
3215	4R7	5%	0,1W.	4822	051	20478	3380	3k9	5%	0,1W.	4822	051	20392
3242	4R7	5%	0,1W.	4822	051	20478	3381	100R	5%	0,5W	4822	116	52175
3243	4R7	5%	0,1W.	4822	051	20478	3382	15k	1%	0,1W.	4822	116	83933
3246	330R	1%	0,1W	4822	117	13577	3383	22k	5%	0,1W.	4822	051	20223
3247	68R	1%	0,1W.	4822	117	12521	3384	22k	5%	0,1W.	4822	051	20223
3248	330R	1%	0,1W	4822	117	13577	3385	47k	1%	0,1W.	4822	117	10834
3249	68R	1%	0,1W.	4822	117	12521	3386	47k	1%	0,1W.	4822	117	10834
3252	1k	2%	0,25W.	4822	051	10102	3387	82k	1%	0,1W.	4822	117	11149
3253	10R	5%	0,1W.	4822	051	20109	3388	330k	5%	0,1W	4822	051	20334
3254	10R	5%	0,1W.	4822	051	20109	3390	150k	5%	0,1W	4822	051	20154
3256	10k	1%	0,6W.	4822	050	21003	3400	2k2	1%	0,1W.	4822	117	11449
3257	10k	1%	0,6W.	4822	050	21003	3401	2k2	1%	0,1W.	4822	117	11449
3258	4k7	5%	0,5W.	4822	116	52283	3402	2k2	1%	0,1W.	4822	117	11449
3259	15k	1%	0,1W.	4822	116	83933	3403	2k2	1%	0,1W.	4822	117	11449
3260	220R	1%	0,1W	4822	117	11503	3404	2k2	1%	0,1W.	4822	117	11449
3261	12k	1%	0,1W.	4822	117	11383	3406	2k2	1%	0,1W.	4822	117	11449
3263	12k	1%	0,1W.	4822	117	11383	3407	2k2	1%	0,1W.	4822	117	11449
3264	5k6	5%	0,5W.	4822	116	52289	3409	5k6	5%	0,1W.	4822	051	20562
3265	22k	5%	0,5W.	4822	116	52257	3410	5k6	5%	0,1W.	4822	051	20562
3266	220R	5%	0,5W	4822	116	83872	3411	100R	5%	0,5W	4822	116	52175
3268	220R	5%	0,5W	4822	116	83872	3412	100R	5%	0,5W	4822	116	52175
3269	2k2	5%	0,5W.	4822	116	52256	3413	100R	5%	0,5W	4822	116	52175
3270	10k	1%	0,1W.	4822	117	10833	3414	6k8	1%	0,1W.	4822	117	11507
3271	10k	1%	0,1W.	4822	117	10833	3415	6k8	1%	0,1W.	4822	117	11507
3272	4k7	5%	0,1W.	4822	051	20472	3450	1k5	1%	0,1W.	4822	117	11139
3273	2k2	1%	0,1W.	4822	117	11449	3451	1k5	1%	0,1W.	4822	117	11139
3274	4k7	5%	0,1W.	4822	051	20472	3452	1k5	1%	0,1W.	4822	117	11139
3275	4k7	5%	0,1W.	4822	051	20472	3453	1k2	5%	0,1W.	4822	051	20122
3276	39k	5%	0,1W.	4822	051	20393	3454	2k2	1%	0,1W.	4822	117	11449
3277	47k	1%	0,1W.	4822	117	10834	3455	3k9	5%	0,1W.	4822	051	20392
3278	680R	1%	0,1W	4822	117	10361	3456	8k2	5%	0,1W.	4822	051	20822
3279	1k5	1%	0,1W.	4822	117	11139	3496	1k5	1%	0,1W.	4822	117	11139
3280	1k5	1%	0,1W.	4822	117	11139	3497	120k	5%	0,1W	4822	051	20124
3281	1k5	1%	0,1W.	4822	117	11139	3498	56k	1%	0,1W.	4822	117	11148
3282	10k	1%	0,1W.	4822	117	10833	3499	220k	1%	0,1W	4822	117	13579
3283	120R	5%	0,1W	4822	051	20121	3501	68k	5%	0,1W.	4822	051	20683
3286	330R	1%	0,1W	4822	117	13577	3502	68k	5%	0,1W.	4822	051	20683
3287	330R	1%	0,1W	4822	117	13577	3509	82k	1%	0,1W.	4822	117	11149
3288	330R	1%	0,1W	4822	117	13577	3510	82k	1%	0,1W.	4822	117	11149
3289	330R	1%	0,1W	4822	117	13577	3517	10k	1%	0,1W.	4822	117	10833
3300	OR Jumper	0805		4822	051	20008	3518	33k	5%	0,1W.	4822	051	20333
3301	OR Jumper	0805		4822	051	20008	3519	33k	5%	0,1W.	4822	051	20333
3321	3k9	5%	0,1W.	4822	051	20392	3520	15k	1%	0,1W.	4822	116	83933
3322	3k9	5%	0,1W.	4822	051	20392	3521	33R	5%	0,33W	4822	052	10339
3325	100k	1%	0,1W	4822	117	10837	3522	1M	5%	0,1W	4822	051	20105
3326	100k	1%	0,1W	4822	117	10837	3523	1M	5%	0,1W	4822	051	20105
3329	4k7	5%	0,1W.	4822	051	20472	3524	68k	5%	0,1W.	4822	051	20683
3330	4k7	5%	0,1W.	4822	051	20472	3525	68k	5%	0,1W.	4822	051	20683
3331	12k	1%	0,1W.	4822	117	11383	3526	27k	5%	0,1W.	4822	051	20273
3332	12k	1%	0,1W.	4822	117	11383	3527	27k	5%	0,1W.	4822	051	20273
3333	2k2	1%	0,1W.	4822	117	11449	3528	10k	1%	0,1W.	4822	117	10833
3334	2k2	1%	0,1W.	4822	117	11449	3529	10k	1%	0,1W.	4822	117	10833
3335	27k	5%	0,1W.	4822	051	20273	3530	33k	5%	0,1W.	4822	051	20333

S = Safety Part Be sure to use exact replacement part.

3531	33k 5% 0,1W.	4822	051 20333	3655	10k 1% 0,1W.	4822	117 10833
3534	100k 1% 0,1W.	4822	117 10837	3656	OR Jumper 0805	4822	051 20008
3535	100k 1% 0,1W.	4822	117 10837	3657	OR Jumper 0805	4822	051 20008
3536	3k3 5% 0,1W.	4822	051 20332	4214	OR Jumper 0805	4822	051 20008
3537	3k3 5% 0,1W.	4822	051 20332	4215	OR Jumper 0805	4822	051 20008
3538	82k 1% 0,1W.	4822	117 11149	4217	OR Jumper 0805	4822	051 20008
3539	82k 1% 0,1W.	4822	117 11149	4221	OR Jumper 0805	4822	051 20008
3540	4k7 5% 0,1W.	4822	051 20472	4229	OR Jumper 0805	4822	051 20008
3541	4k7 5% 0,1W.	4822	051 20472	4244	OR Jumper 0805	4822	051 20008
3542	10R 5% 0,1W.	4822	051 20109	4268	OR Jumper 0805	4822	051 20008
3543	68k 5% 0,1W.	4822	051 20683	4269	OR Jumper 0805	4822	051 20008
3544	68k 5% 0,5W.	4822	116 52297	4270	OR Jumper 0805	4822	051 20008
3545	47k 1% 0,1W.	4822	117 10834	4271	OR Jumper 0805	4822	051 20008
3546	47k 1% 0,1W.	4822	117 10834	4272	OR Jumper 0805	4822	051 20008
3547	470R 5% 0,1W.	4822	051 20471	4273	OR Jumper 0805	4822	051 20008
3548	470R 5% 0,1W.	4822	051 20471	4275	OR Jumper 0805	4822	051 20008
3549	4k7 5% 0,1W.	4822	051 20472	4276	OR Jumper 0805	4822	051 20008
3551	2R2 5% 0,1W.	4822	051 20228	4278	OR Jumper 0805	4822	051 20008
3552	2R2 5% 0,1W.	4822	051 20228	4279	OR Jumper 0805	4822	051 20008
3553	39k 5% 0,1W.	4822	051 20393	4280	OR Jumper 0805	4822	051 20008
3554	39k 5% 0,1W.	4822	051 20393	4288	OR Jumper 0805	4822	051 20008
3556	3k3 5% 0,1W.	4822	051 20332	4502	OR Jumper 0805	4822	051 20008
3557	3k3 5% 0,1W.	4822	051 20332	4503	OR Jumper 0805	4822	051 20008
3558	180k 5% 0,1W.	4822	051 20184	4504	OR Jumper 0805	4822	051 20008
3559	180k 5% 0,1W.	4822	051 20184	4505	OR Jumper 0805	4822	051 20008
3560	470R 5% 0,1W.	4822	051 20471	4506	OR Jumper 0805	4822	051 20008
3561	470R 5% 0,1W.	4822	051 20471	4508	OR Jumper 0805	4822	051 20008
3562	8k2 5% 0,1W.	4822	051 20822	4509	OR Jumper 0805	4822	051 20008
3563	8k2 5% 0,1W.	4822	051 20822	4510	OR Jumper 0805	4822	051 20008
3564	180R 1% 0,1W.	4822	117 11448	4511	OR Jumper 0805	4822	051 20008
3565	180R 1% 0,1W.	4822	117 11448	4512	OR Jumper 0805	4822	051 20008
3566	15k 1% 0,1W.	4822	116 83933	4513	OR Jumper 0805	4822	051 20008
3567	15k 1% 0,1W.	4822	116 83933	4514	OR Jumper 0805	4822	051 20008
3568	12k 1% 0,1W.	4822	117 11383	4515	OR Jumper 0805	4822	051 20008
3569	12k 1% 0,1W.	4822	117 11383	4516	OR Jumper 0805	4822	051 20008
3570	10k 1% 0,1W.	4822	117 10833	4517	OR Jumper 0805	4822	051 20008
3571	10k 1% 0,1W.	4822	117 10833	4518	OR Jumper 0805	4822	051 20008
3574	22k 5% 0,1W.	4822	051 20223	4519	OR Jumper 0805	4822	051 20008
3575	22k 5% 0,1W.	4822	051 20223	4520	OR Jumper 0805	4822	051 20008
3576	6k8 1% 0,1W.	4822	117 11507	4521	OR Jumper 0805	4822	051 20008
3577	6k8 1% 0,1W.	4822	117 11507	4522	OR Jumper 0805	4822	051 20008
3579	150k 5% 0,1W.	4822	051 20154	4523	OR Jumper 0805	4822	051 20008
3580	22k 5% 0,1W.	4822	051 20223	4524	OR Jumper 0805	4822	051 20008
3581	22k 5% 0,1W.	4822	051 20223	4525	OR Jumper 0805	4822	051 20008
3582	1k2 5% 0,1W.	4822	051 20122	4526	OR Jumper 0805	4822	051 20008
3583	1k2 5% 0,1W.	4822	051 20122	4527	OR Jumper 0805	4822	051 20008
3584	680R 1% 0,1W.	4822	117 10361	4528	OR Jumper 0805	4822	051 20008
3585	2R2 5% 0,1W.	4822	051 20228	4529	OR Jumper 0805	4822	051 20008
3586	2k2 1% 0,1W.	4822	117 11449	4530	OR Jumper 0805	4822	051 20008
3587	6k8 1% 0,1W.	4822	117 11507	4531	OR Jumper 0805	4822	051 20008
3588	470R 5% 0,1W.	4822	051 20471	4532	OR Jumper 0805	4822	051 20008
3589	390R 5% 0,1W.	4822	051 20391	4533	OR Jumper 0805	4822	051 20008
3590	2k2 1% 0,1W.	4822	117 11449	4534	OR Jumper 0805	4822	051 20008
3591	220R 5% 0,5W.	4822	116 83883	4535	OR Jumper 0805	4822	051 20008
3593	1k 2% 0,25W.	4822	051 10102	4536	OR Jumper 0805	4822	051 20008
3594	1k 2% 0,25W.	4822	051 10102	4537	OR Jumper 0805	4822	051 20008
3596	68k 5% 0,1W.	4822	051 20683	4538	OR Jumper 0805	4822	051 20008
3597	68k 5% 0,1W.	4822	051 20683	4539	OR Jumper 0805	4822	051 20008
3598	100k 1% 0,1W.	4822	117 10837	4540	OR Jumper 0805	4822	051 20008
3599	100k 1% 0,1W.	4822	117 10837	4541	OR Jumper 0805	4822	051 20008
3601	47k 5% 0,5W.	4822	116 83884	4542	OR Jumper 0805	4822	051 20008
3602	47k 5% 0,5W.	4822	116 83884	4543	OR Jumper 0805	4822	051 20008
3603	1M 5% 0,1W.	4822	051 20105	4544	OR Jumper 0805	4822	051 20008
3604	1M 5% 0,1W.	4822	051 20105	4545	OR Jumper 0805	4822	051 20008
3605	47k 1% 0,1W.	4822	117 10834	4546	OR Jumper 0805	4822	051 20008
3606	47k 1% 0,1W.	4822	117 10834	4548	OR Jumper 0805	4822	051 20008
3609	470R 5% 0,5W.	4822	116 83883	4549	OR Jumper 0805	4822	051 20008
3610	470R 5% 0,5W.	4822	116 83883	4550	OR Jumper 0805	4822	051 20008
3616	100k 1% 0,1W.	4822	117 10837	4551	OR Jumper 0805	4822	051 20008
3617	1k8 5% 0,1W.	4822	051 20182	4552	OR Jumper 0805	4822	051 20008
3618	1k8 5% 0,1W.	4822	051 20182	4553	OR Jumper 0805	4822	051 20008
3630	470R 5% 0,1W.	4822	051 20471	4554	OR Jumper 0805	4822	051 20008
3631	470R 5% 0,1W.	4822	051 20471	4555	OR Jumper 0805	4822	051 20008
3632	1M 5% 0,1W.	4822	051 20105	4556	OR Jumper 0805	4822	051 20008
3633	1M 5% 0,1W.	4822	051 20105	4557	OR Jumper 0805	4822	051 20008
3634	10k 1% 0,1W.	4822	117 10833	4558	OR Jumper 0805	4822	051 20008
3635	10k 1% 0,1W.	4822	117 10833	4559	OR Jumper 0805	4822	051 20008
3636	820R 1% 0,1W.	4822	117 11454	4560	OR Jumper 0805	4822	051 20008
3637	820R 1% 0,1W.	4822	117 11454	4561	OR Jumper 0805	4822	051 20008
3638	2k7 1% 0,1	4822	117 12955	4562	OR Jumper 0805	4822	051 20008
3639	2k7 1% 0,1	4822	117 12955	4563	OR Jumper 0805	4822	051 20008
3640	47R 5% 0,1W.	4822	051 20479	4564	OR Jumper 0805	4822	051 20008
3641	10k 1% 0,1W.	4822	117 10833	4565	OR Jumper 0805	4822	051 20008
3643	1M 5% 0,1W.	4822	051 20105	4566	OR Jumper 0805	4822	051 20008
3644	470R 5% 0,1W.	4822	051 20471	4567	OR Jumper 0805	4822	051 20008
3645	2k7 1% 0,1W.	4822	117 12955	4568	OR Jumper 0805	4822	051 20008
3647	Potm Rotary 20KA	4822	101 21204	4569	OR Jumper 0805	4822	051 20008
3648	470R 5% 0,5W.	4822	116 83883	4570	OR Jumper 0805	4822	051 20008
3650	100k 1% 0,1W.	4822	117 10837	4571	OR Jumper 0805	4822	051 20008
3651	100k 1% 0,1W.	4822	117 10837	4573	OR Jumper 0805	4822	051 20008
3652	10k 1% 0,1W.	4822	117 10833	4574	OR Jumper 0805	4822	051 20008
3653	10k 1% 0,1W.	4822	117 10833	4575	OR Jumper 0805	4822	051 20008

S = Safety Part Be sure to use exact replacement part.

2601	33nF 5% 50V.	4822	126	12105	3518	1k 2% 0,25W.	4822	051	10102
2602	33nF 5% 50V.	4822	126	12105	3519	33k 5% 0,1W.	4822	051	20333
2603	3,3nF 10% 63V.	4822	122	33891	3520	33k 1% 0,6W.	4822	050	23303
2604	3,3nF 10% 63V.	4822	122	33891	3521	47k 1% 0,1W.	4822	117	10834
2605	470pF 10% 63V.	5322	122	34099	3522	47k 1% 0,1W.	4822	117	10834
2606	470pF 10% 63V.	5322	122	34099	3523	8k2 5% 0,1W.	4822	051	20822
2607	100nF 10% 50V.	4822	126	14585	3524	8k2 5% 0,1W.	4822	051	20822
2608	100nF 10% 50V.	4822	126	14585	3525	1k 2% 0,25W.	4822	051	10102
2609	470nF 5% 63V.	4822	121	51252	3526	1k 2% 0,25W.	4822	051	10102
2610	470nF 5% 63V.	4822	121	51252	3527	1k 2% 0,25W.	4822	051	10102
2611	1,8nF 10% 63V.	4822	126	10847	3528	1k 2% 0,25W.	4822	051	10102
2612	1,8nF 10% 63V.	4822	126	10847	3529	2k2 1% 0,1W.	4822	117	11449
2613	1nF 10% 63V.	5322	122	31647	3530	2k2 1% 0,1W.	4822	117	11449
2614	1nF 10% 63V.	5322	122	31647	3531	2k2 1% 0,1W.	4822	117	11449
2615	220pF 5% 63V.	4822	122	33575	3532	2k2 1% 0,1W.	4822	117	11449
2616	220pF 5% 63V.	4822	122	33575	3533	100k 1% 0,1W.	4822	117	10837
2617	470pF 10% 63V.	5322	122	34099	3534	100k 1% 0,1W.	4822	117	10837
2618	470pF 10% 63V.	5322	122	34099	3535	120k 5% 0,1W.	4822	051	20124
2619	4,7uF 20% 100V	4822	124	40769	3536	120k 5% 0,1W.	4822	051	20124
2620	4,7uF 20% 100V	4822	124	40769	3537	33k 5% 0,1W.	4822	051	20333
2621	100uF 20% 25V.	4822	124	40207	3538	33k 5% 0,1W.	4822	051	20333
2625	220pF 5% 63V.	4822	122	33575	3539	47R 5% 0,5W.	4822	116	52195
2626	220pF 5% 63V.	4822	122	33575	3540	10k 1% 0,6W.	4822	050	21003
2631	4,7uF 20% 100V	4822	124	40769	3541	1k 2% 0,25W.	4822	051	10102
2632	4,7uF 20% 100V	4822	124	40769	3542	1k 2% 0,25W.	4822	051	10102
2633	470pF 10% 63V.	5322	122	34099	3543	3k3 5% 0,1W.	4822	051	20332
2634	470pF 10% 63V.	5322	122	34099	3544	3k3 5% 0,1W.	4822	051	20332
2635	100pF 5% 50V.	5322	122	32531	3545	27k 5% 0,1W.	4822	051	20273
2636	100pF 5% 50V.	5322	122	32531	3546	27k 5% 0,1W.	4822	051	20273
2637	47pF 1% 63V.	4822	126	13692	3547	1k8 5% 0,1W.	4822	051	20182
2638	47pF 1% 63V.	4822	126	13692	3548	1k8 5% 0,1W.	4822	051	20182
2639	22nF 10% 63V.	5322	122	32654	3549	5k6 5% 0,5W.	4822	116	52289
2640	47uF 20% 25V.	4822	124	40433	3550	4k7 5% 0,1W.	4822	051	20472
2641	100uF 20% 25V.	4822	124	40207	3551	150k 5% 0,1W.	4822	051	20154
2642	47pF 1% 63V.	4822	126	13692	3552	150k 5% 0,1W.	4822	051	20154
2647	22uF 50V.	4822	124	81151	3553	330k 5% 0,1W.	4822	051	20334
2648	22uF 50V.	4822	124	81151	3554	150R 5% 0,5W.	4822	116	83868
2649	100pF 5% 50V.	5322	122	32531	3555	390R 5% 0,1W.	4822	051	20391
2650	100pF 5% 50V.	5322	122	32531	3556	1k2 5% 0,1W.	4822	051	20122
2651	22nF 10% 63V.	5322	122	32654	3557	82k 1% 0,1W.	4822	117	11149
2652	22nF 10% 63V.	5322	122	32654	3561	1k2 5% 0,1W.	4822	051	20122
2656	100pF 5% 50V.	5322	122	32531	3562	1k2 5% 0,1W.	4822	051	20122
2657	1uF +80/-20% 16V	4822	126	14043	3563	2k2 1% 0,1W.	4822	117	11449
2659	1uF 20% 100V.	4822	124	40756	3564	2k2 1% 0,1W.	4822	117	11449
2661	1uF 20% 63V.	4822	124	21913	3565	4k7 5% 0,1W.	4822	051	20472
2662	1nF 10% 63V.	5322	122	31647	3566	4k7 5% 0,1W.	4822	051	20472
2663	10pF 5% 63V.	5322	122	32448	3569	4k7 5% 0,1W.	4822	051	20472
2664	1uF 20% 63V.	4822	124	21913	3570	4k7 5% 0,1W.	4822	051	20472
2665	100nF 10% 50V.	4822	126	14585	3571	10k 1% 0,1W.	4822	117	10833
2666	100uF 20% 25V.	4822	124	40207	3572	10k 1% 0,1W.	4822	117	10833
2667	100nF 10% 50V.	4822	126	14585	3573	4k7 5% 0,1W.	4822	051	20472
2668	470pF 10% 63V.	5322	122	34099	3574	4k7 5% 0,1W.	4822	051	20472
2669	100nF 10% 50V.	4822	126	14585	3575	220R 1% 0,1W.	4822	117	11503
2670	100nF +80/-20% 50V	4822	126	13838	3576	220R 1% 0,1W.	4822	117	11503
2671	100nF +80/-20% 50V	4822	126	13838	3577	470R 5% 0,1W.	4822	051	20471
2672	100nF +80/-20% 50V	4822	126	13838	3578	470R 5% 0,1W.	4822	051	20471
2673	22nF 10% 63V.	5322	122	32654	3579	4R7 5% 0,33W	4822	052	10478
2674	22nF 10% 63V.	5322	122	32654	3580	2k7 1% 0,1W.	4822	117	12955
2675	4,7uF 20% 50V.	4822	124	12032	3581	2k2 1% 0,1W.	4822	117	11449
2676	4,7uF 20% 50V.	4822	124	12032	3582	2k2 1% 0,1W.	4822	117	11449
2677	10nF 20% 50V.	4822	122	33177	3583	220R 1% 0,1W.	4822	117	11503
2678	470uF 16V 20%.	4822	124	80791	3584	220R 1% 0,1W.	4822	117	11503
2679	100nF 10% 50V.	4822	126	14585	3585	47k 1% 0,1W.	4822	117	10834
2680	1uF 20% 100V.	4822	124	40756	3586	47k 1% 0,1W.	4822	117	10834
2681	100nF 10% 50V.	4822	126	14585	3587	150k 5% 0,1W.	4822	051	20154
2682	10nF 10% 63V.	5322	122	34099	3588	150k 5% 0,1W.	4822	051	20154
2865	100pF 5% 50V.	5322	122	32531	3589	2k2 1% 0,1W.	4822	117	11449
2866	47nF 10% 63V.	4822	126	13751	3590	2k2 1% 0,1W.	4822	117	11449
2867	47nF 10% 63V.	4822	126	13751	3591	22k 5% 0,1W.	4822	051	20223
2868	100nF 10% 50V.	4822	126	14585	3592	22k 5% 0,1W.	4822	051	20223
2869	1uF +80/-20% 16V	4822	126	14043	3593	27k 5% 0,1W.	4822	051	20273
2870	1uF +80/-20% 16V	4822	126	14043	3594	27k 5% 0,1W.	4822	051	20273
2871	22nF 10% 63V.	5322	122	32654	3595	68k 5% 0,1W.	4822	051	20683
2872	4,7nF 10% 63V.	5322	126	10223	3596	68k 5% 0,1W.	4822	051	20683
2873	4,7nF 10% 63V.	5322	126	10223	3597	1M 5% 0,1W.	4822	051	20105
2874	22nF 10% 63V.	5322	122	32654	3598	470k 5% 0,1W.	4822	051	20474
2877	1uF 20% 50V.	4822	124	22651	3599	100R 5% 0,5W.	4822	116	52175
2878	1uF 20% 50V.	4822	124	22651	3600	22k 5% 0,1W.	4822	051	20223
2879	22pF 5% 50V.	5322	122	32658	3601	3k3 5% 0,1W.	4822	051	20332
2880	22pF 5% 50V.	5322	122	32658	3602	3k3 5% 0,1W.	4822	051	20332
2881	1uF 20% 100V.	4822	124	40756	3603	680k 5% 0,1W.	4822	051	20684
2882	10pF 5% 63V.	5322	122	32448	3604	680k 5% 0,1W.	4822	051	20684
2883	10pF 5% 63V.	5322	122	32448	3605	220k 1% 0,1W.	4822	117	13579
2884	100nF 10% 50V.	4822	126	14585	3606	220k 1% 0,1W.	4822	117	13579
2885	22uF 50V.	4822	124	81151	3607	10k 1% 0,1W.	4822	117	10833
3511	1k 2% 0,25W.	4822	051	10102	3608	10k 1% 0,1W.	4822	117	10833
3512	1k 2% 0,25W.	4822	051	10102	3609	10k 1% 0,1W.	4822	117	10833
3513	6k8 1% 0,1W.	4822	117	11507	3610	10k 1% 0,1W.	4822	117	10833
3514	6k8 1% 0,1W.	4822	117	11507	3611	5k6 5% 0,1W.	4822	051	20562
3515	5k6 5% 0,1W.	4822	051	20562	3612	5k6 5% 0,1W.	4822	051	20562
3516	5k6 5% 0,1W.	4822	051	20562	3613	5k6 5% 0,1W.	4822	051	20562
3517	1k 2% 0,25W.	4822	051	10102	3614	5k6 5% 0,1W.	4822	051	20562

S = Safety Part Be sure to use exact replacement part.

3615	5k6	5%	0,1W.	4822	051	20562	4522	OR Jumper	0805	4822	051	20008
3616	5k6	5%	0,1W.	4822	051	20562	4523	OR Jumper	0805	4822	051	20008
3617	8k2	5%	0,1W.	4822	051	20822	4524	OR Jumper	0805	4822	051	20008
3618	8k2	5%	0,1W.	4822	051	20822	4534	OR Jumper	0805	4822	051	20008
3619	8k2	5%	0,1W.	4822	051	20822	4535	OR Jumper	0805	4822	051	20008
3620	8k2	5%	0,1W.	4822	051	20822	4589	OR Jumper	0805	4822	051	20008
3621	8k2	5%	0,1W.	4822	051	20822	4590	OR Jumper	0805	4822	051	20008
3622	8k2	5%	0,1W.	4822	051	20822	4591	OR Jumper	0805	4822	051	20008
3623	47k	1%	0,1W.	4822	117	10834	4592	OR Jumper	0805	4822	051	20008
3624	47k	1%	0,1W.	4822	117	10834	4593	OR Jumper	0805	4822	051	20008
3625	1k	2%	0,25W.	4822	051	10102	4594	OR Jumper	0805	4822	051	20008
3626	1k	2%	0,25W.	4822	051	10102	4595	OR Jumper	0805	4822	051	20008
3627	220R	1%	0,1W.	4822	117	11503	4596	OR Jumper	0805	4822	051	20008
3628	220R	1%	0,1W.	4822	117	11503	4597	OR Jumper	0805	4822	051	20008
3629	820R	5%	0,5W.	4822	116	52231	4598	OR Jumper	0805	4822	051	20008
3631	820R	1%	0,1W.	4822	117	11454	4599	OR Jumper	0805	4822	051	20008
3632	820R	1%	0,1W.	4822	117	11454	4600	OR Jumper	0805	4822	051	20008
3633	5k6	5%	0,1W.	4822	051	20562	4601	OR Jumper	0805	4822	051	20008
3634	5k6	5%	0,1W.	4822	051	20562	4602	OR Jumper	0805	4822	051	20008
3635	10k	1%	0,1W.	4822	117	10833	4603	OR Jumper	0805	4822	051	20008
3636	10k	1%	0,1W.	4822	117	10833	4604	OR Jumper	0805	4822	051	20008
3637	47k	1%	0,1W.	4822	117	10834	4605	OR Jumper	0805	4822	051	20008
3638	47k	1%	0,1W.	4822	117	10834	4606	OR Jumper	0805	4822	051	20008
3639	10k	1%	0,1W.	4822	117	10833	4618	OR Jumper	0805	4822	051	20008
3639	12k	1%	0,1W. /FW-C85/37.	4822	117	11383	4619	OR Jumper	0805	4822	051	20008
3640	10k	1%	0,1W.	4822	117	10833	4620	OR Jumper	0805	4822	051	20008
3640	12k	1%	0,1W. /FW-C85/37.	4822	117	11383	4623	OR Jumper	0805	4822	051	20008
3641	10R	5%	0,33W.	4822	052	10109	5511	Coil 2,2uH 5%.		4822	157	62552
3642	4k7	5%	0,1W.	4822	051	20472	5512	Coil 2,2uH 10%.		4822	157	10586
3643	4k7	5%	0,1W.	4822	051	20472	5513	Coil 2,2uH 5%.		4822	157	62552
3644	1k	2%	0,25W.	4822	051	10102	5611	Coil 2,2uH 5%.		4822	157	62552
3645	47R	5%	0,1W.	4822	051	20479	5613	Coil 2,2uH 5%.		4822	157	62552
3646	47R	5%	0,1W.	4822	051	20479	6511	BZX79-C9V1.		4822	130	30862
3647	47R	5%	0,1W.	4822	051	20479	6512	BZX79-C9V1.		4822	130	30862
3648	47R	5%	0,1W.	4822	051	20479	6513	1N4003G.		4822	130	31878
3649	47R	5%	0,1W.	4822	051	20479	6516	1N4148.		4822	130	30621
3650	47R	5%	0,1W.	4822	051	20479	6518	1N4148.		4822	130	30621
3651	3k9	5%	0,1W.	4822	051	20392	6519	1N4148.		4822	130	30621
3652	3k9	5%	0,1W.	4822	051	20392	6520	1N4148.		4822	130	30621
3653	1k	2%	0,25W.	4822	051	10102	6521	1N4148.		4822	130	30621
3660	10k	1%	0,1W.	4822	117	10833	6531	1N4148.		4822	130	30621
3661	4M7	5%	0,25W.	4822	053	20475	7511	TDA7437T.		4822	209	17386
3662	1k	2%	0,25W.	4822	051	10102	7512	NJM4560M.		4822	209	83357
3663	1k	2%	0,25W.	4822	051	10102	7513	NJM4560M.		4822	209	83357
3665	15k	1%	0,1W.	4822	116	83933	7515	NJM4556AM.		4822	209	31378
3666	5k6	5%	0,1W.	4822	051	20562	7521	BC847B.		4822	130	60511
3669	1k	2%	0,25W.	4822	051	10102	7522	BC847B.		4822	130	60511
3671	220k	1%	0,1W.	4822	117	13579	7523	BC857B.		4822	130	60373
3672	220k	1%	0,1W.	4822	117	13579	7524	BC857B.		4822	130	60373
3673	2k7	1%	0,1W.	4822	117	12955	7525	BC547B.		4822	130	40959
3674	330k	5%	0,1W.	4822	051	20334	7526	BC857B.		4822	130	60373
3675	3k3	5%	0,1W.	4822	051	20332	7527	BC847B.		4822	130	60511
3676	33R	5%	0,1W.	4822	051	20339	7528	BC847B.		4822	130	60511
3677	150R	1%	0,1W.	4822	117	10353	7529	BC857B.		4822	130	60373
3678	10k	1%	0,1W.	4822	117	10833	7531	BC847B.		4822	130	60511
3679	1k	2%	0,25W.	4822	051	10102	7532	BC847B.		4822	130	60511
3681	22R	5%	0,33W.	4822	052	10229	7533	BC847B.		4822	130	60511
3682	1k	2%	0,25W.	4822	051	10102	7534	BC847B.		4822	130	60511
3683	470R	5%	0,1W.	4822	051	20471	7535	BC817-25.		4822	130	42804
3684	3k9	5%	0,1W.	4822	051	20392	7536	BC817-25.		4822	130	42804
3685	10R	5%	0,1W.	4822	051	20109	7539	BC857B.		4822	130	60373
3686	12k	1%	0,1W.	4822	117	11383	7541	BC847B.		4822	130	60511
3687	12k	1%	0,1W.	4822	117	11383	7543	BC817-25.		4822	130	42804
3688	12k	1%	0,1W.	4822	117	11383	7544	BC847B.		4822	130	60511
3689	12k	1%	0,1W.	4822	117	11383	7545	BC847B.		4822	130	60511
3690	39k	5%	0,1W.	4822	051	20393	7551	M62320FP.		4822	209	17345
3691	39k	5%	0,1W.	4822	051	20393	7552	BC327-25.		4822	130	41246
3692	10k	1%	0,1W.	4822	117	10833	7553	BC847B.		4822	130	60511
3693	5k6	5%	0,1W.	4822	051	20562						
3694	5k6	5%	0,1W.	4822	051	20562						
3695	2R2	5%	0,5W.	4822	116	81154						
3696	2k2	1%	0,1W.	4822	117	11449						
3697	470R	5%	0,1W.	4822	051	20471						
3698	470R	5%	0,1W.	4822	051	20471						
3699	1k	2%	0,25W.	4822	051	10102						
3701	12k	1%	0,1W.	4822	117	11383						
3702	12k	1%	0,1W.	4822	117	11383						
3848	10R	5%	0,1W.	4822	051	20109						
3850	10R	5%	0,1W.	4822	051	20109						
3851	10R	5%	0,1W.	4822	051	20109						
3852	5k6	5%	0,1W.	4822	051	20562						
3853	4k7	5%	0,1W.	4822	051	20472						
4506	OR Jumper	0805		4822	051	20008						
4510	OR Jumper	0805		4822	051	20008						
4514	OR Jumper	0805		4822	051	20008						
4515	OR Jumper	0805		4822	051	20008						
4516	OR Jumper	0805		4822	051	20008						
4517	OR Jumper	0805		4822	051	20008						
4518	OR Jumper	0805		4822	051	20008						
4519	OR Jumper	0805		4822	051	20008						
4520	OR Jumper	0805		4822	051	20008						
4521	OR Jumper	0805		4822	051	20008						

MAIN UNIT MECHANICAL & ACCESSORIES PARTS

MAIN UNIT MECHANICAL & ACCESSORIES PARTS												
0101	Cabinet Front	/P88/22.								3139	118	11530
0101	Cabinet Front	/P88/37.								3139	118	11520
0101	Cabinet Front	/C83/22,C85/22/34.								3139	118	11350
0101	Cabinet Front	/C85/37.								3139	118	11040
0103	Cover Orn	CDC.								3139	118	11050
0105	Button Set	CDC.								3139	118	11060
0106	Cover Tray	CDC.								3139	118	11070
0107	Cover Orn	CDC Tray								3139	118	11080
0108	Badge	Philips.								4822	454	13408
0124	Button Power/Standby									3139	118	11090
0126	Window	IR.								3139	114	69060
0127	But	RDS/NEWS/DOLBY.								3139	118	11100
0128	Window Display	/P88/22.								3139	118	12390
0128	Window Display	/P88/37.								3139	118	11540
0128	Window Display	/C83/22.								3139	118	11390
0128	Window Display	/C85/22/34.								3139	118	12350
0128	Window Display	/C85/37.								3139	118	11120
0132	Button Set	Source.								3139	118	11130
0134	Button Set	Control.								3139	118	11140
0135	Button	Tape/Mode.								3139	118	11150
0136	Button	BT/VEC/DSC/Personal.								3139	118	11160

S = Safety Part Be sure to use exact replacement part.

0137	Ring Orn Jog Rotary.	3139	118	11170
0138	Knob Jog Rotary.	3139	118	11110
0139	Button Set Bass.	3139	118	11180
0141	Button WOOX Plus Chrome.	3139	118	11190
0142	Frame Button Set WOOX.	3139	114	68900
0144	Knob Rotary WOOX Chrome.	3139	118	11200
0145	Guide Rotary WOOX.	3139	114	69890
0146	Button Set Treble.	3139	118	11210
0148	Ring Orn Volume Rotary	3139	118	11220
0149	Knob Volume Rotary	3139	118	11230
0151	Holder Lightguide Bar.	3139	114	69070
0152	Cover Orn WOOX	3139	118	11250
0152	Cover Orn WOOX /C83/22	3139	118	11450
0153	Cover Orn Control.	3139	118	11260
0155	Button Set DPL	3139	118	11550
0158	Cover Cassette Right DOLBY	3139	118	12180
0158	Cover Cassette Right /37	3139	118	11270
0159	Cover Cassette Left Estar.	3139	118	12620
0160	Lens Cassette Right.	3139	114	69120
0161	Lens Cassette Left	3139	114	69130
0197	Door Cassette Right.	3139	114	68630
0198	Door Cassette Left	3139	114	68620
0199	Push-Catch	4822	402	10621
0200	Damper Assembly.	4822	529	10322
0201	Push Catch Left.	3139	114	68640
0203	Spring Compression	4822	492	11344
0204	Bracket Right.	4822	402	11246
0205	Bracket Left	4822	402	11245
0206	Spring Torsion Right	3139	111	01380
0207	Spring Torsion Left.	3139	111	01390
0209	Spring Cassette.	4822	492	42787
0252	Foot Rubber (SQ)	4822	462	40683
0254	Plate Front.	3139	114	69140
0258	Plate (Foot)	4822	462	40683
0259	Cabinet Rear	3139	114	69230
0350	L/R Loudspeaker Box /P88/22.	3139	118	77530
0350	L/R Loudspeaker Box /P88/37.	3139	118	77710
0350	L/R Loudspeaker Box /C83/22.	3139	118	77630
0350	L/R Loudspeaker Box /C85/22.	3139	118	77520
0350	L/R Loudspeaker Box /C85/34/37	3139	118	77500
0351	FM Aerial.	4822	303	50063
0351	FM Aerial /37.	4822	320	11094
0352	Center/Surr. Speaker /P88/22/37.	3139	118	77560
0356	Remote Control /P88/22/37.	3139	228	84360
0356	Remote Control	3139	228	84370
0384	AM Frame Aerial.	4822	303	50082
0385	Mains Cord	4822	321	10249
0385	Mains Cord /37	4822	321	11466
0387	Instruction For Use /P88/22.	3139	116	19720
0387	Instruction For Use /P88/37.	3139	116	19710
0387	Instruction For Use /C83/22,C85/22	3139	116	19610
0387	Instruction For Use /C85/34.	3139	116	19600
0387	Instruction For Use /C85/37.	3139	116	19590
1107	Mains Transformer /P88/22,C83/22	4822	146	11188
1107	Mains Transformer /P88/37.	4822	146	11177
1107	Mains Transformer /C85/22/34	3103	308	30450
1107	Mains transformer /C85/37.	3103	308	30440
1200	FFC Foil 23P/280/23P BD /P88/22/37	3139	110	34570
1200	FFC Foil 19P/280/19P BD.	3139	110	34560
1201	FFC Foil 23P/280/23P BD.	3139	110	34570
1201	FFC FOIL 19P/280/19P BD /37.	3139	110	34560
1202	FFC Foil 06P/180/06P BD.	3139	110	34330
1203	FFC Foil 04P/280/04P AD.	3139	110	34580
1204	FFC Foil 06P/340/06P BD.	3139	110	34680
1205	FFC Foil 07P/180/07P AD.	4822	320	12752
1206	FFC Foil 07P/280/07P AD.	3139	110	34600
1207	FFC Foil 17P/140/17P BD.	3139	110	34550
1208	FFC Foil 10P/180/10P AD.	3139	110	34630

283	D3 x 20
284	D3 x 12
285	M3 x 12
286	D3 x 12
288	D3 x 12
290	M3 x 10
291	D3 x 12
292	D3 x 12
293	D3 x 12
295	D3 x 12
298	M3 x 10
299	M3 x 10
300	M3 x 10
301	M3 x 10
302	M3 x 16
305	M3 x 6
306	M3 x 10

POWER 5-VA BOARD

POWER 5-VA BOARD				
0002	HOLDER STK407/P5-VA.	4822	256	10556
0222	INSULATING WASHER (TO126).	3103	304	07050
1241	KD1206PTS3, FAN.	4822	361	11161
1321	SPEAKER TERMINAL	4822	267	31176
S 1901	MAINS SOCKET, IEC.	4822	265	31015
S 1901	MAINS SOCKET, UL	4822	265	31016
S 1902	VOLTAGE SELECTOR	4822	272	10269
S 1903	FUSE 200mA/T	4822	071	52001
S 1905	FUSE T5A	4822	071	55002
S 1905	FUSE T6,3A	4822	252	51123
S 1906	FUSE T 2,5A.	4822	071	52502
S 1907	FUSE T 2,5A.	4822	071	52502
S 1920	FUSE T5A	4822	071	55002
S 1923	FUSE T5A	4822	071	55002
S 1924	FUSE T 2,5A.	4822	071	52502
S 1925	FUSE 1,6A.	4822	071	51602
S 5903	STAND BY TRAF0, for /37 only	4822	146	11142
S 5903	STAND BY TRAF0, for /22 only	4822	146	11143
S 5903	STAND BY TRAF0, for /21 only	4822	146	11144
S 5905	STAND BY RELAIS, SDT-SS-109DM.	4822	280	10382
2254	47nF 5% 100V	4822	121	43526
2255	47nF 5% 100V	4822	121	43526
2256	47nF 5% 100V	4822	121	43526
2257	6800uF 20 63V.	4822	124	11504
2257	4700uF 20% 50V	4822	124	80415
2258	6800uF 20 63V.	4822	124	11504
2258	4700uF 20% 50V	4822	124	80415
2263	100nF 5% 63V	5322	121	42386
2264	100nF 5% 63V	5322	121	42386
2265	4700uF 20% 35V	4822	124	80563
2267	100uF 20% 50V.	4822	124	40255
2268	4,7uF 20% 100V	4822	124	40769
2269	10nF 20% 16V	4822	121	51387
2269	3,3nF 10% 16V.	4822	122	10577
2270	10uF 20% 63V	4822	124	40248
2271	47uF 20% 25V	4822	124	40433
2279	100nF 5% 63V	5322	121	42386
2280	6800uF 20% 16V	4822	124	12328
2282	10uF 20% 63V	4822	124	40248
2285	100uF 20% 50V.	4822	124	40255
2289	1uF 20% 63V.	4822	124	21913
2300	10nF 20% 16V	4822	121	51387
2301	100uF 20% 10V.	4822	124	41584
2303	10nF 5% 250V	4822	121	41857
2323	2,2uF 20% 50V.	4822	124	22652
2324	2,2uF 20% 50V.	4822	124	22652
2325	3,3nF 5% 50V	4822	122	33532
2326	3,3nF 5% 50V	4822	122	33532
2327	220pF 10% 100V	5322	122	32334
2328	220pF 10% 100V	5322	122	32334
2329	470pF 10% 100V	5322	122	32311
2329	2,2nF 10% 100V	5322	122	32818
2330	470pF 10% 100V	5322	122	32311
2330	2,2nF 10% 100V	5322	122	32818
2331	4,7nF 10% 100V	5322	122	32261
2333	22uF 20% 50V	4822	124	81151
2334	22uF 20% 50V	4822	124	81151
2337	4,7pF 10% 50V.	4822	122	10465
2338	4,7pF 10% 50V.	4822	122	10465
2341	22nF 20% 50V	4822	126	11585
2342	22nF 20% 50V	4822	126	11585
2343	2,2uF 20% 50V.	4822	124	22652
2344	22uF 20% 100V.	4822	124	40764
2345	22uF 20% 100V.	4822	124	40764
2348	10uF 20% 100V.	4822	124	81043
2349	10uF 20% 100V.	4822	124	81043
2350	100nF 5% 63V	5322	121	42386
2351	100nF 5% 63V	5322	121	42386
2352	220uF 20% 10V.	4822	124	40181
2353	100nF 5% 63V	5322	121	42386
2354	100nF 5% 63V	5322	121	42386
2355	4,7nF 10% 100V	5322	122	32261

SCREW LISTS - MAIN UNIT

185	D3 x 10
186	D3 x 25
211	D3 x 12
212	D3 x 12
213	D3 x 12
214	M3 x 12
215	M3 x 12
231	D3 x 10
232	M3 x 10
233	M3 x 6
239	M3 x 10
240	D3 x 12
241	M3 x 10
242	M3 x 10
276	D3 x 12
277	D3 x 12
278	D3 x 12
279	D3 x 12
280	D3 x 12
281	D3 x 12
282	D3 x 12

S = Safety Part Be sure to use exact replacement part.

2356	4,7nF	10%	100V	5322	122	32261	3386	2,2kohm	5%	0,16W	4822	116	52256
2365	47nF	20%	50V	4822	126	12785	3387	10kohm	2%	0,25W	4822	050	21003
2367	100nF	5%	63V	5322	121	42386	3388	10kohm	2%	0,25W	4822	050	21003
2368	100nF	5%	63V	5322	121	42386	3389	22ohm	5%	0,33W	4822	052	10229
2369	100nF	5%	63V	5322	121	42386	3391	220ohm	5%	0,5W	4822	116	83872
2399	100nF	20%	50V	4822	126	12882	3392	220ohm	5%	0,5W	4822	116	83872
2902	47nF	5%	100V	4822	121	43526	S 3901	10Mohm	5%	0,5W	4822	053	21106
2903	47nF	5%	100V	4822	121	43526	3902	1kohm	5%	0,2W	4822	050	11002
2904	100uF	20%	50V	4822	124	40255	3903	1kohm	5%	0,2W	4822	050	11002
2905	100uF	20%	25V	4822	124	40207	3904	15kohm	5%	0,5W	4822	116	52244
3251	2,2kohm	5%	0,16W	4822	116	52256	3904	4,7kohm	5%	0,5W	4822	116	52283
3252	2,2kohm	5%	0,16W	4822	116	52256	3905	2,2kohm	5%	0,16W	4822	116	52256
3254	680ohm	5%	0,5W	4822	116	52228	3906	10kohm	2%	0,25W	4822	050	21003
3255	470ohm	5%	0,16W	4822	116	83883	S 3908	120ohm	5%	1W	4822	053	10121
3259	10kohm	2%	0,25W	4822	050	21003	S 3908	470ohm	5%	1W	4822	053	10471
3260	0,33ohm	5%	2W	4822	117	11342	S 3920	1ohm	5%	0,33W	4822	052	10108
3261	120ohm	5%	0,5W	4822	116	52206	5321	1uH			4822	157	70599
3262	120ohm	5%	0,5W	4822	116	52206	5322	1uH			4822	157	70599
3263	10kohm	2%	0,25W	4822	050	21003	S 5901	400uH			4822	157	11832
3265	100kohm	5%	0,5W	4822	116	52234	S 5902	MAINS CHOKE			4822	157	11628
3266	680ohm	5%	0,5W	4822	116	52228	6252	1N5392			5322	130	80686
3267	3,9kohm	5%	0,5W	4822	116	52276	6253	1N4003G			4822	130	31878
3268	10kohm	2%	0,25W	4822	050	21003	S 6255	GBU8D			4822	130	11139
3269	390ohm	5%	0,5W	4822	116	83881	6260	1N5392			5322	130	80686
3270	0,33ohm	5%	2W	4822	117	11342	6261	1N5392			5322	130	80686
3272	2,7kohm	5%	0,5W	4822	116	52263	6262	1N5392			5322	130	80686
3273	15kohm	5%	0,5W	4822	116	52244	6263	1N5392			5322	130	80686
3274	33kohm	1%	0,6W	4822	050	23303	6264	DIO REG BZX79-B11			9331	668	80133
3275	33kohm	1%	0,6W	4822	050	23303	6269	BZX79-C15			4822	130	34281
3278	2,2kohm	5%	0,16W	4822	116	52256	6270	1N4148			4822	130	30621
3280	120kohm	5%	0,5W	4822	116	52239	6271	1N4148			4822	130	30621
3281	10kohm	2%	0,25W	4822	050	21003	6281	1N4003G			4822	130	31878
S 3282	33ohm	5%	NFR	4822	052	10339	6284	BZX79-B5V6			4822	130	34173
3285	6,8kohm	5%	0,16W	4822	116	83961	6285	1N4003G			4822	130	31878
3286	6,8kohm	5%	0,16W	4822	116	83961	6290	BZX79-C30			4822	130	34328
3287	22kohm	5%	0,5W	4822	116	52257	6292	1N4148			4822	130	30621
S 3288	39ohm	5%	0,33W	4822	052	10399	6293	BZX79-B8V2			4822	130	34382
S 3289	39ohm	5%	0,33W	4822	052	10399	6294	1N5392			5322	130	80686
3302	47kohm	5%	0,16W	4822	116	83884	6295	1N4148			4822	130	30621
3304	47kohm	5%	0,16W	4822	116	83884	6298	BZX79-C6V8			4822	130	34278

POWER BOARD

3305	22kohm	5%	0,5W	4822	116	52257	6302	BZX79-B3V3			5322	130	31504
3306	39kohm	5%	0,5W	4822	116	83882	6337	1N4148			4822	130	30621
3309	33kohm	1%	0,6W	4822	050	23303	6339	1N4148			4822	130	30621
3312	10kohm	2%	0,25W	4822	050	21003	6900	1N4003G			4822	130	31878
3313	1kohm	5%	0,2W	4822	050	11002	6901	1N4003G			4822	130	31878
3315	56kohm	5%	0,5W	4822	116	52291	6902	1N4003G			4822	130	31878
3316	47kohm	5%	0,16W	4822	116	83884	6903	1N4003G			4822	130	31878
3317	10kohm	5%	0,5W	4822	116	52176	6904	1N4003G			4822	130	31878
3321	10kohm	2%	0,25W	4822	050	21003	6905	1N4148			4822	130	30621
3322	10kohm	2%	0,25W	4822	050	21003	6906	1N4148			4822	130	30621
3323	100kohm	5%	0,5W	4822	116	52234	6908	BZX79-B8V2			4822	130	34382
3324	10kohm	2%	0,25W	4822	050	21003	6909	BYV10-40			4822	130	32245
3325	1,2kohm	5%	0,5W	4822	116	52207	6910	1N4003G			4822	130	31878
3326	1,2kohm	5%	0,5W	4822	116	52207	6911	1N4148			4822	130	30621
3327	56kohm	5%	0,5W	4822	116	52291	6912	1N4148			4822	130	30621
3328	56kohm	5%	0,5W	4822	116	52291	7251	BDX53BFP			9322	139	23687
3329	560ohm	5%	0,5W	4822	116	52226	7252	BC547B			4822	130	40959
3330	560ohm	5%	0,5W	4822	116	52226	7253	BC547B			4822	130	40959
3331	56kohm	5%	0,5W	4822	116	52291	7255	BC547B			4822	130	40959
3332	56kohm	5%	0,5W	4822	116	52291	7260	BC547B			4822	130	40959
S 3333	47ohm	5%	0,3W	4822	052	10479	7263	BC337-25			4822	130	40981
S 3334	47ohm	5%	0,3W	4822	052	10479	7265	BC556B			4822	130	41691
3335	1,2kohm	5%	0,5W	4822	116	52207	7266	BC557B			4822	130	44568
3336	1,2kohm	5%	0,5W	4822	116	52207	7268	BC547B			4822	130	40959
3337	1kohm	5%	0,2W	4822	116	52207	7280	BC547B			4822	130	40959
3338	1kohm	5%	0,2W	4822	050	11002	S 7282	BC327-40			4822	130	41327
S 3341	0,22ohm	5%	1W	4822	117	11744	S 7286	BC327-40			4822	130	41327
S 3342	0,22ohm	5%	1W	4822	117	11744	7323	BC546B			4822	130	44461
S 3343	0,22ohm	5%	1W	4822	117	11744	7324	BC546B			4822	130	44461
S 3344	0,22ohm	5%	1W	4822	117	11744	7325	BC547B			4822	130	40959
3345	100kohm	5%	0,5W	4822	116	52234	7326	BC547B			4822	130	40959
3346	10kohm	2%	0,25W	4822	050	21003	7327	BC546B			4822	130	44461
3347	33kohm	1%	0,6W	4822	050	23303	7350	BC556B			4822	130	41691
3348	220ohm	5%	0,5W	4822	116	83872	7901	BC327-25			4822	130	41246
3350	1kohm	5%	0,2W	4822	050	11002	7902	BC547B			4822	130	40959
3351	100kohm	5%	0,5W	4822	116	52234	7281	L7805CP			4822	209	31841
3352	100kohm	5%	0,5W	4822	116	52234	7329	STK496-090C, POWER AMPLIFIER			9322	084	99682
3353	22kohm	5%	0,5W	4822	116	52257							
3358	1kohm	5%	0,2W	4822	050	11002							

POWER SUPPLY CDR BOARD
POWER SUPPLY CDR BOARD

S 1350	FUSE T	2,5A		4822	071	52502
S 1353	FUSE	315mA		4822	071	53151
2350	10uF	20%	16V	4822	124	11947
2351	47uF	20%	25V	4822	124	40433
2352	6800uF	20%	16V	4822	124	12328
2353	4,7uF	20%	100V	4822	124	40769
2354	470uF	20%	16V	4822	124	80791
2355	470uF	20%	16V	4822	124	80791
2356	100nF	5%	63V	5322	121	42386
2357	100nF	5%	63V	5322	121	42386

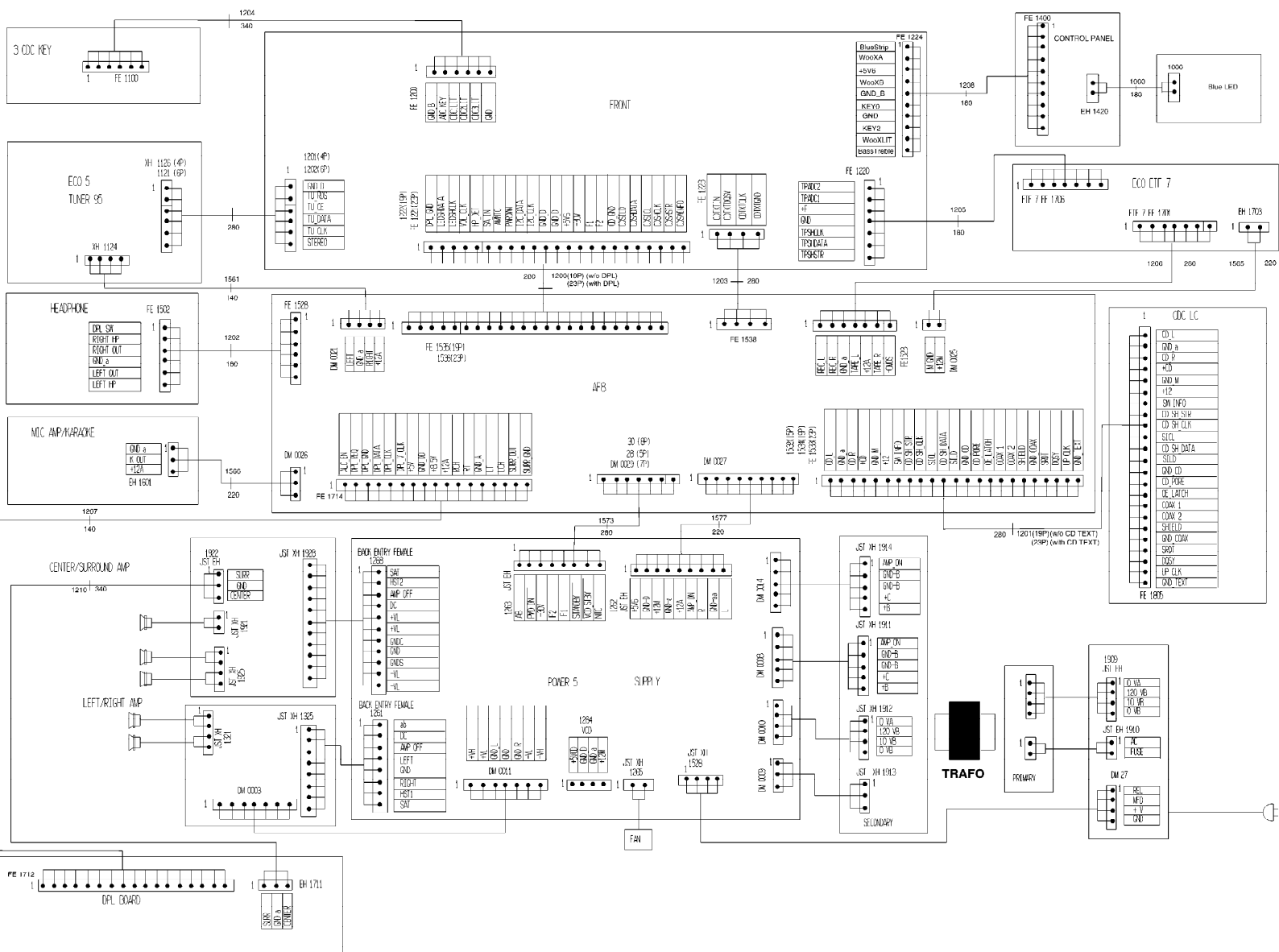
S = Safety Part Be sure to use exact replacement part.

2358	1000uF 20% 16V	4822	124	81144
2359	47uF 20% 25V	4822	124	40433
2360	100uF 20% 10V	4822	124	41584
2361	100uF 20% 16V	4822	124	23052
2363	100uF 20% 16V	4822	124	23052
2362	10kohm NTC	4822	117	12063
3350	3,3kohm 5% 0,5W	4822	116	52269
3351	100ohm 5% 0,5W	4822	116	52175
3352	1kohm 5% 0,2W	4822	050	11002
3353	1kohm 5% 0,2W	4822	050	11002
3354	100kohm 5% 0,5W	4822	116	52234
3355	4,7kohm 5% 0,5W	4822	116	52283
3356	100ohm 5% 0,5W	4822	116	52175
3357	120ohm 5% 0,5W	4822	116	52206
S 3358	150ohm 5% 2W	4822	053	11151
3359	110ohm 1% 0,6W	4822	050	21101
3360	1kohm 5% 0,2W	4822	050	11002
3361	10kohm 2% 0,25W	4822	050	21003
3362	22kohm 5% 0,5W	4822	116	52257
3363	560ohm 5% 0,5W	4822	116	52226
3364	470ohm 5% 0,16W	4822	116	83883
3365	220ohm 5% 0,5W	4822	116	83872
S 3366	5,6ohm 5% 0,33W	4822	052	10568
3369	560ohm 5% 0,5W	4822	116	52226
3370	1,8kohm 5% 0,16W	4822	116	52249
3371	100kohm 5% 0,5W	4822	116	52234
3372	1kohm 5% 0,2W	4822	050	11002
3373	10kohm 2% 0,25W	4822	050	21003
3374	39kohm 5% 0,5W	4822	116	83882
3375	10kohm 2% 0,25W	4822	050	21003
S 3376	150ohm 5% 2W	4822	053	11151
6350	1N5392	5322	130	80686
6351	1N5392	5322	130	80686
6352	1N5392	5322	130	80686
6353	1N5392	5322	130	80686
6354	DIO REG BZX79-B3V9	3198	010	53980
6355	BZX79-B5V6	4822	130	34173
6356	BZX79-B3V3	5322	130	31504
6357	1N4003G	4822	130	31878
6358	1N4003G	4822	130	31878
6359	1N4148	4822	130	30621
6360	1N4003G	4822	130	31878
6361	1N4003G	4822	130	31878
6362	BZX79-B4V7	4822	130	34174
6363	BZX79-B3V9	4822	130	31981
6364	BZX79-B5V1	4822	130	34233
6365	BZX79-B3V9	4822	130	31981
7350	BC557C	9336	500	90126
7351	BD438	4822	130	40995
7352	BD438	4822	130	40995
7353	BC547C	4822	130	44503
7354	BC547C	4822	130	44503
7355	BC337-40	4822	130	41344
7356	BC547C	4822	130	44503
7357	BC327-40	4822	130	41327
7358	BC327-25	4822	130	41246
7359	BC557C	9336	500	90126
7360	BC547C	4822	130	44503

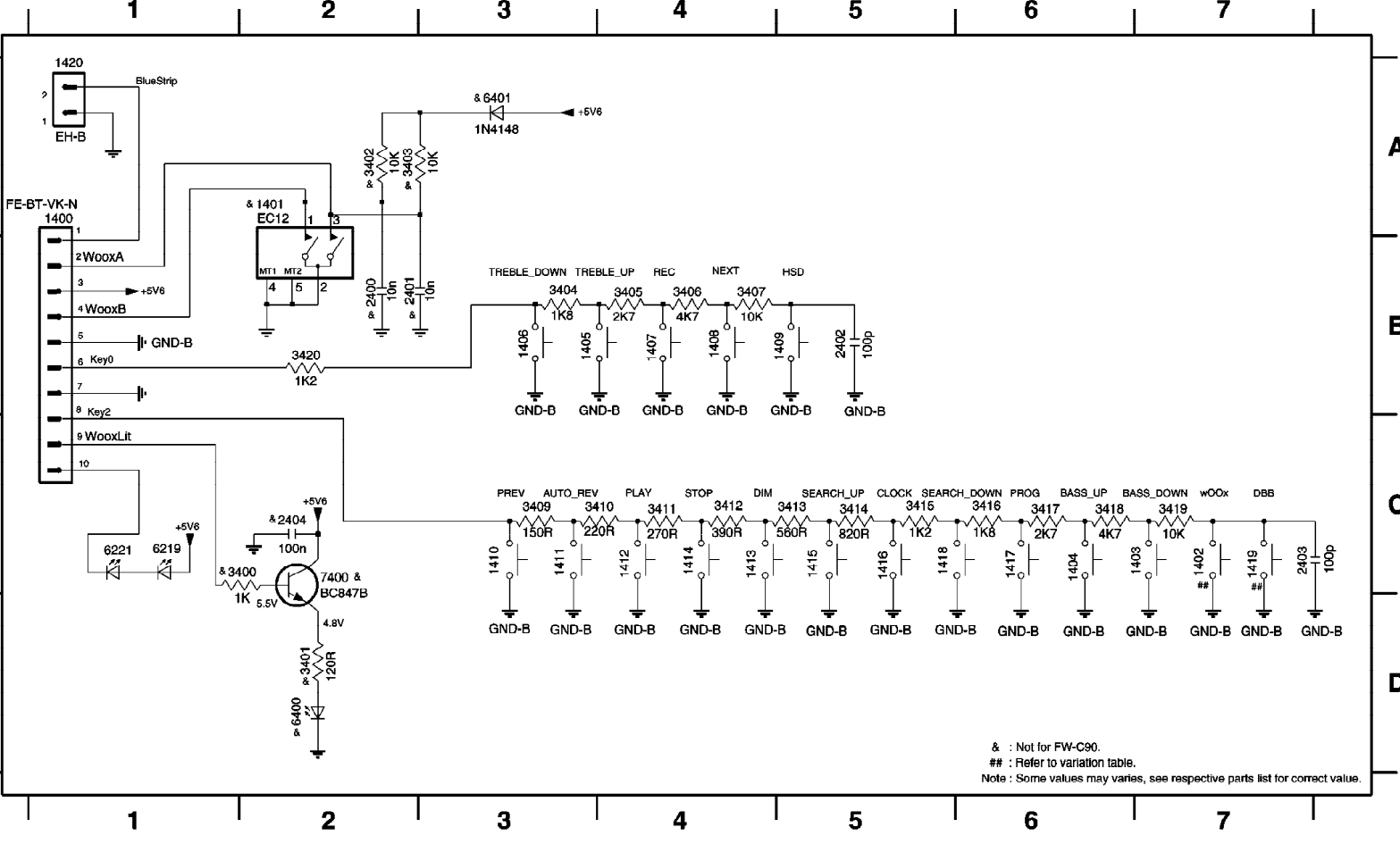
MAINS PARTS

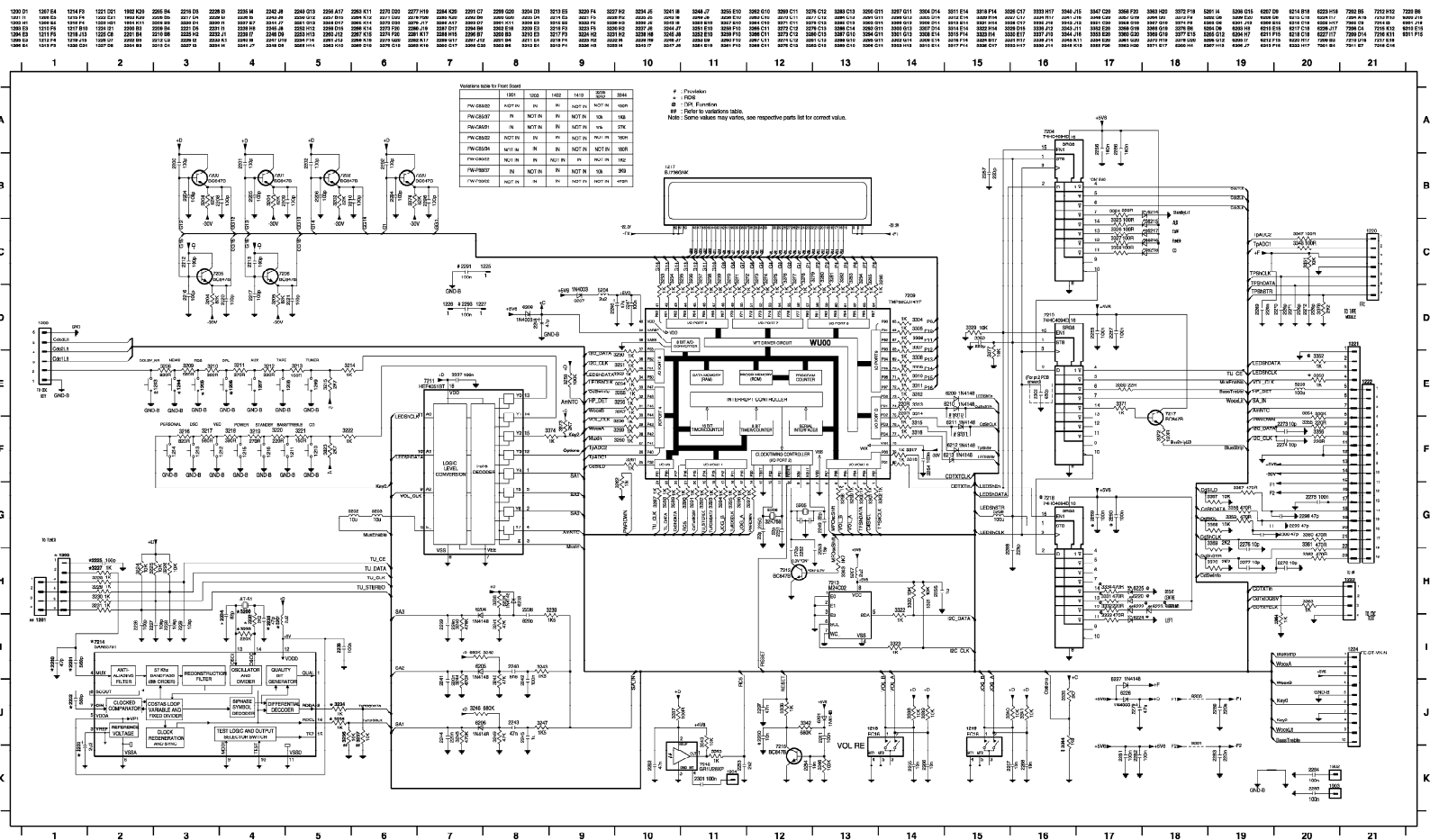
MAINS PARTS				
5001	MAINS TRANSFORMER /22	3103	308	30510
5001	MAINS TRANSFORMER /21	3103	308	30520
5001	MAINS TRANSFORMER /37	3103	308	30530

S = Safety Part Be sure to use exact replacement part.

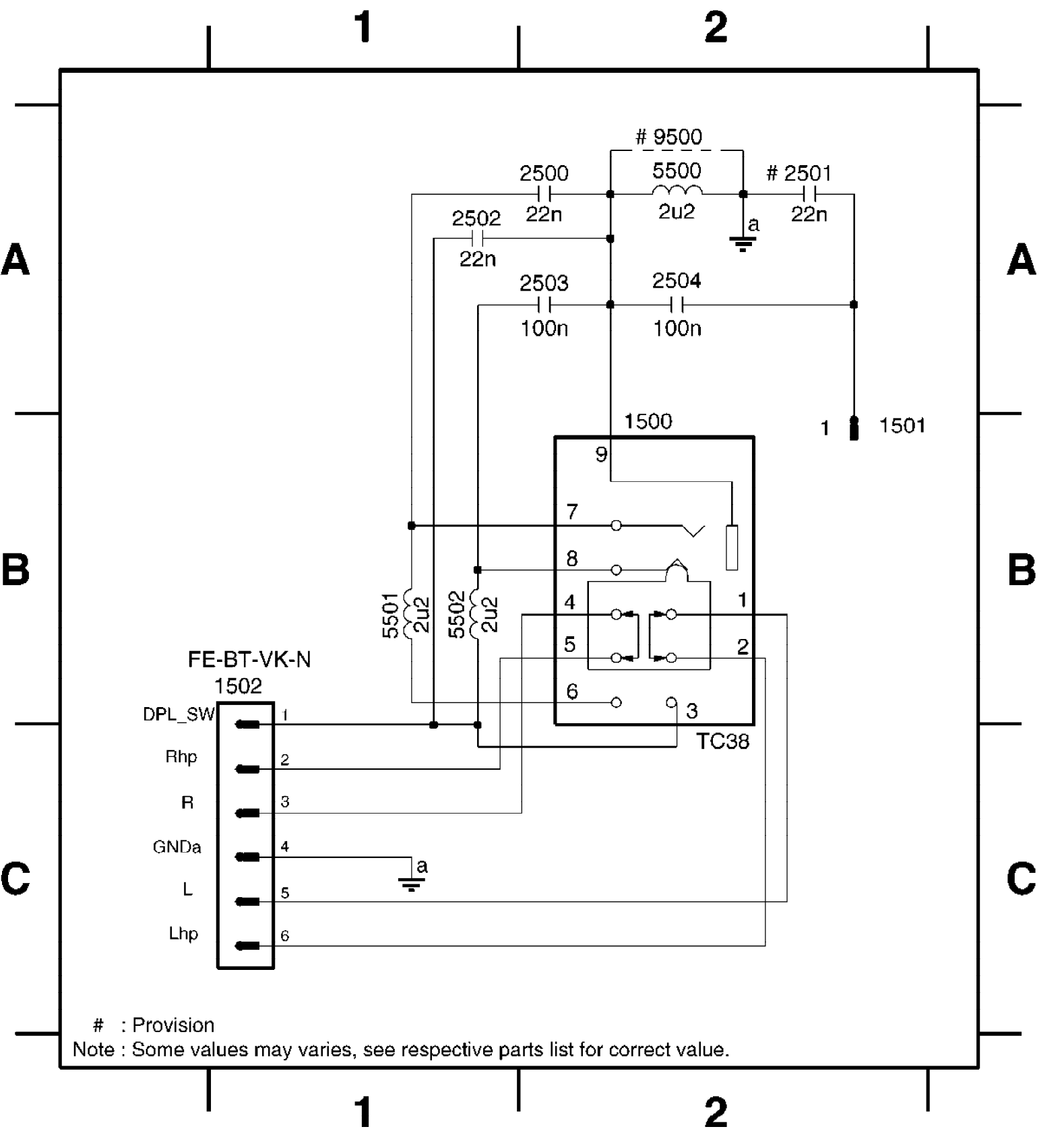


1400 A1	1403 C6	1406 B3	1409 B4	1412 C4	1415 C5	1418 C5	2400 B2	2403 C7	3401 D2	3404 B3	3407 B4	3411 C4	3414 C5	3417 C8	3420 B2	6400 D2
1401 A2	1404 C6	1407 B4	1410 C3	1413 C4	1416 C5	1419 C7	2401 B2	2404 C2	3402 A2	3405 B4	3409 C3	3412 C4	3415 C5	3418 C6	6219 C1	6401 A3
1402 C7	1405 B3	1408 B4	1411 C3	1414 C4	1417 C6	1420 A1	2402 B5	3400 C2	3403 A2	3406 B4	3410 C4	3413 C5	3416 C6	3419 C7	6221 C1	7400 C2





1500 B2 1502 B1 2501 A2 2503 A2 5500 A2 5502 B1
 1501 B2 2500 A2 2502 A1 2504 A2 5501 B1 9500 A2



: Provision
 Note : Some values may varies, see respective parts list for correct value.

1100 A3	1102 B1	1104 B2	2100 B1	3101 A1	3103 B1	3105 B2	3107 B3	6101 A1
1101 B1	1103 B2	1105 B2	3100 A1	3102 A2	3104 B1	3106 B2	6100 A1	6102 A2

1

2

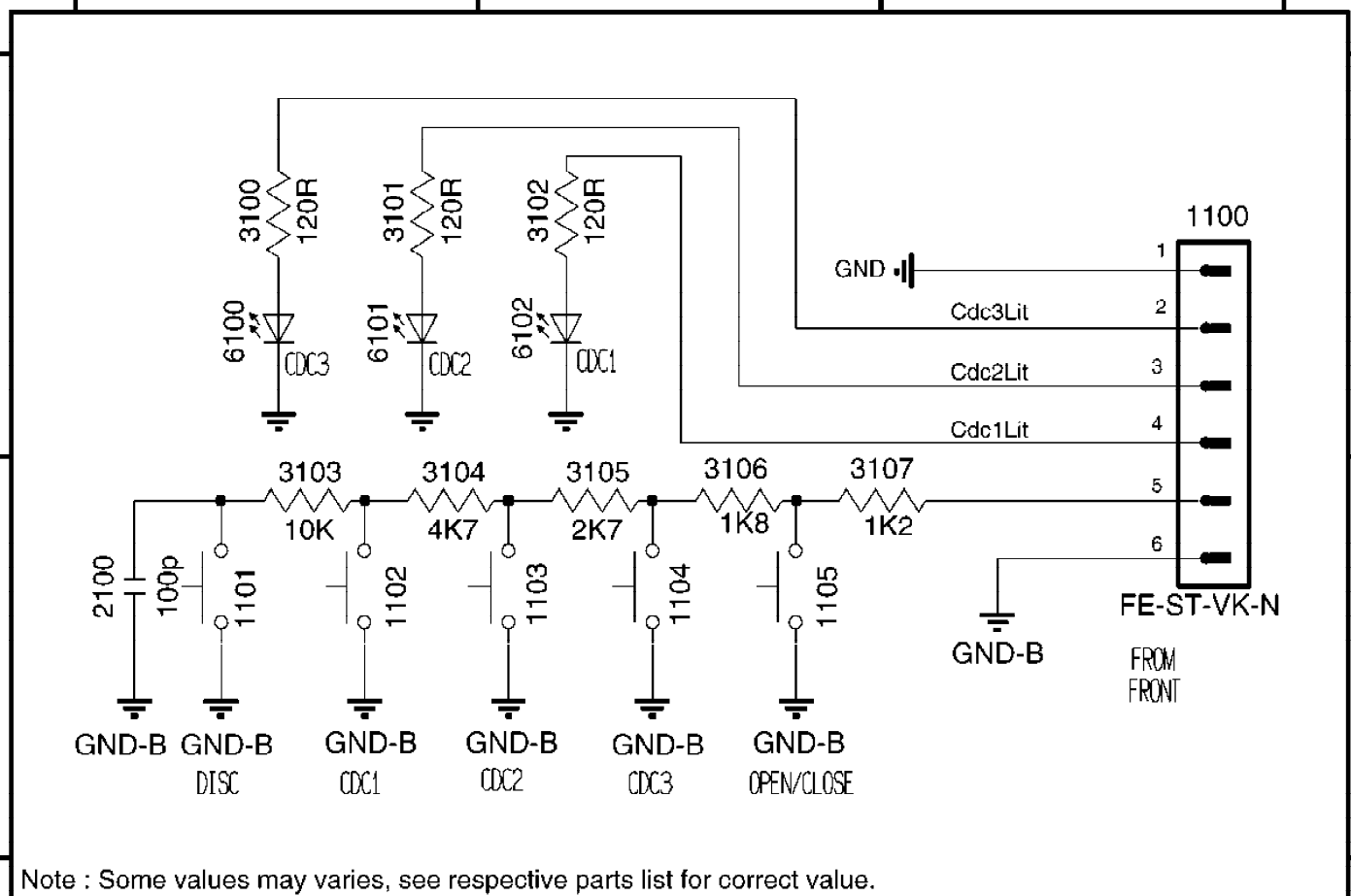
3

A

A

B

B

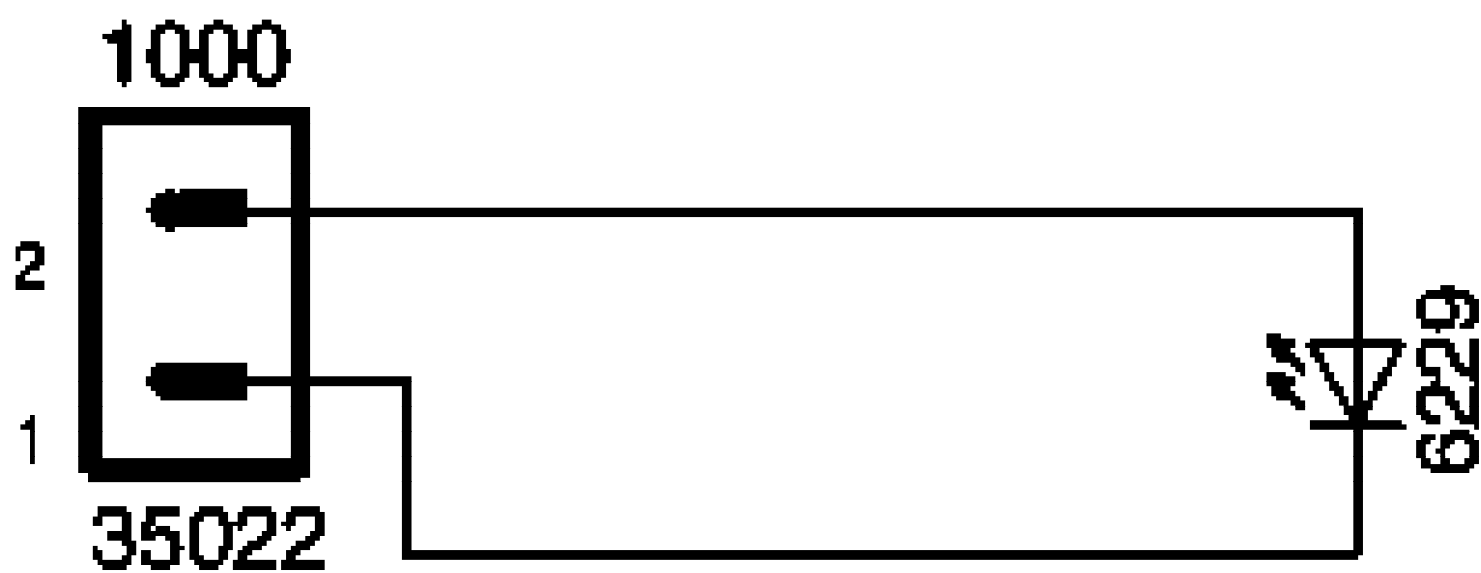


Note : Some values may varies, see respective parts list for correct value.

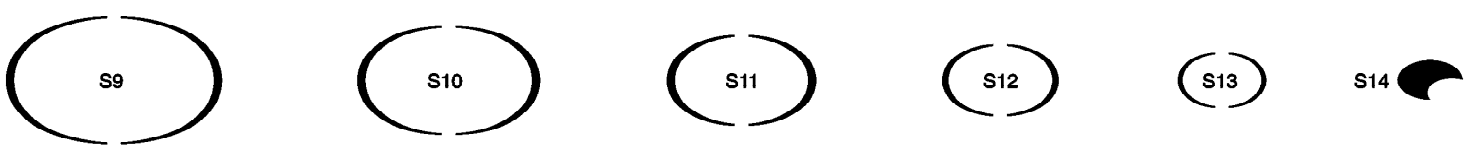
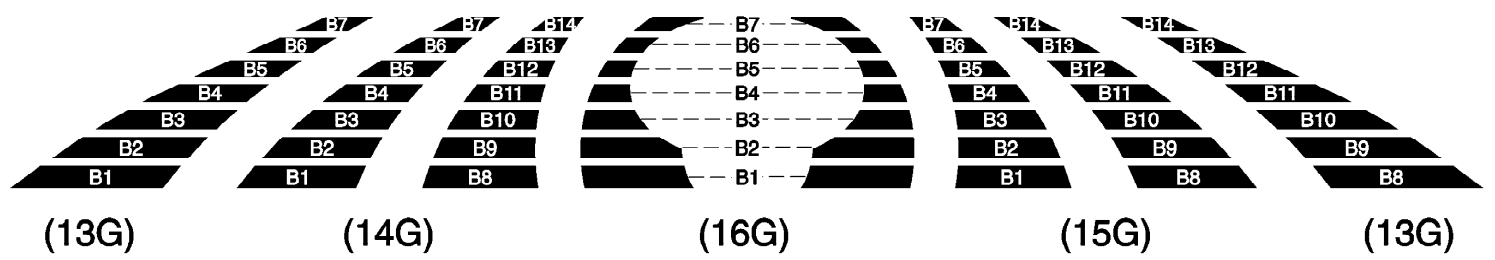
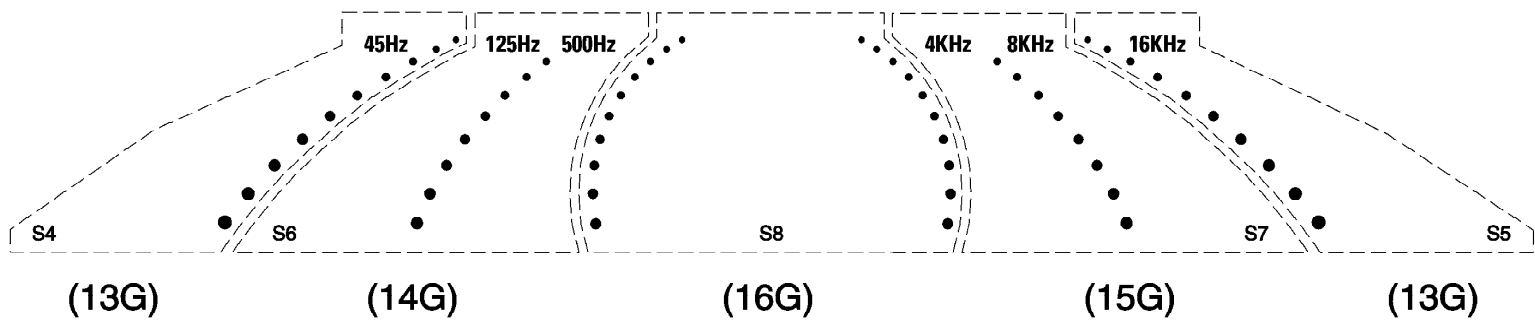
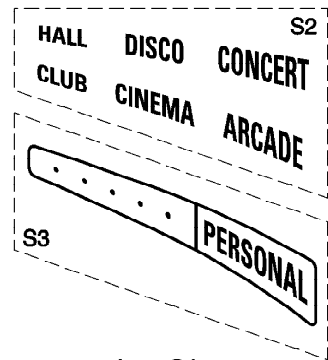
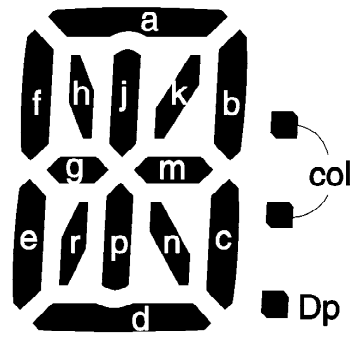
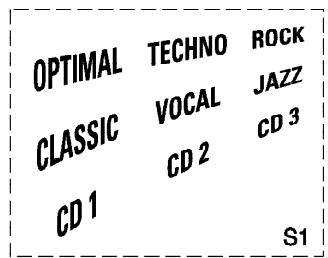
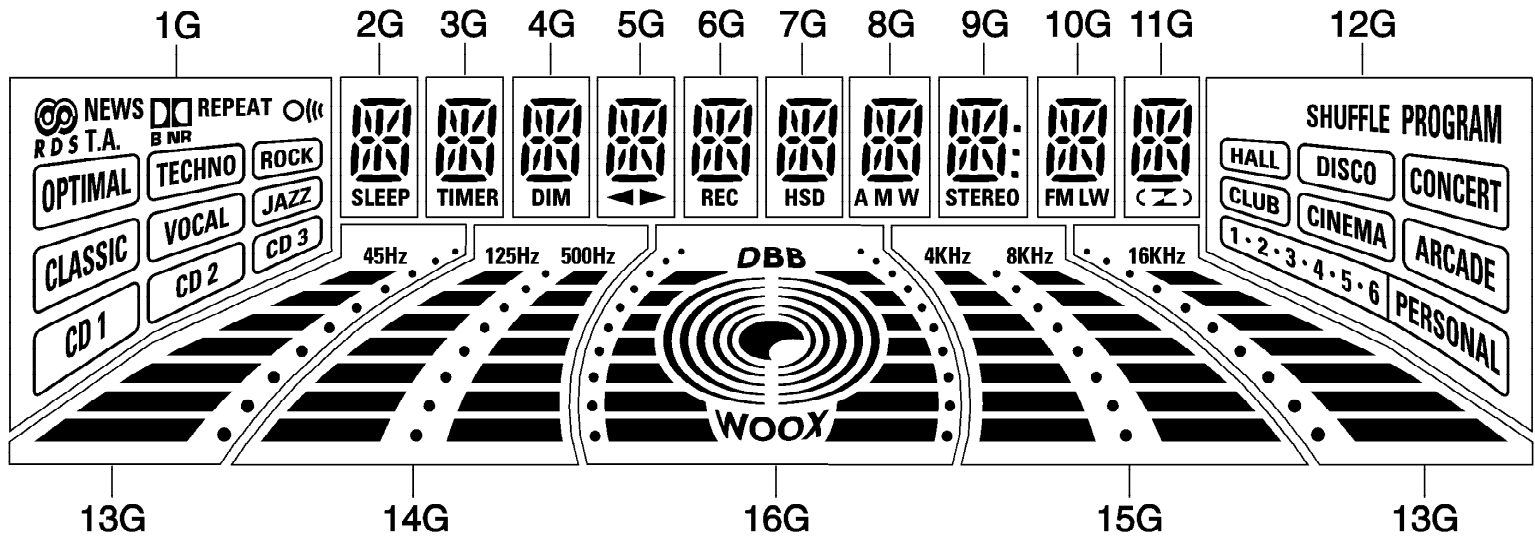
1

2

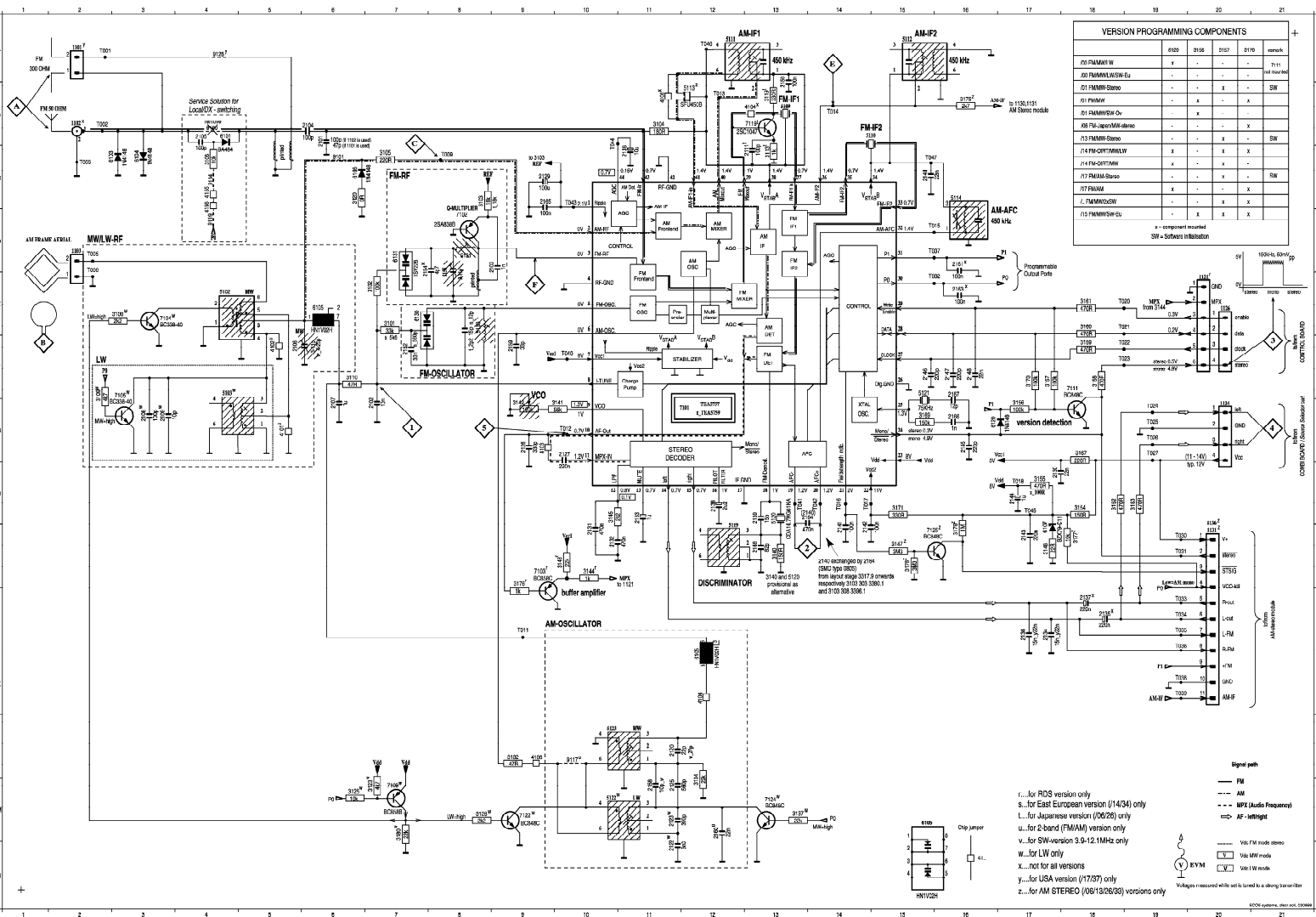
3



FTD DISPLAY PIN CONNECTIONS



TUNER BOARD ECO5 / Systems



VERSION PROGRAMMING COMPONENTS

	6120	6130	6137	6150	6156
01 FM/AM/AM-FM	x	-	-	-	7111
02 FM/AM/AM-FM/AM	x	-	-	-	455 kHz module
03 FM/AM/AM-FM/AM	-	x	-	-	SW
04 FM/AM/AM-FM/AM	-	x	-	-	SW
05 FM/AM/AM-FM/AM	-	-	x	-	SW
06 FM/AM/AM-FM/AM	-	-	-	x	SW
07 FM/AM/AM-FM/AM	-	-	-	-	SW
08 FM/AM/AM-FM/AM	-	-	-	-	SW
09 FM/AM/AM-FM/AM	-	-	-	-	SW
10 FM/AM/AM-FM/AM	-	-	-	-	SW
11 FM/AM/AM-FM/AM	-	-	-	-	SW
12 FM/AM/AM-FM/AM	-	-	-	-	SW
13 FM/AM/AM-FM/AM	-	-	-	-	SW
14 FM/AM/AM-FM/AM	-	-	-	-	SW
15 FM/AM/AM-FM/AM	-	-	-	-	SW
16 FM/AM/AM-FM/AM	-	-	-	-	SW
17 FM/AM/AM-FM/AM	-	-	-	-	SW
18 FM/AM/AM-FM/AM	-	-	-	-	SW
19 FM/AM/AM-FM/AM	-	-	-	-	SW
20 FM/AM/AM-FM/AM	-	-	-	-	SW

* component required
SW = Software Installation

...for RDS version only
 s...for East European version (1434) only
 L...for Japanese version (0028) version only
 u...for 2-band (FM/AM) version only
 v...for SW-version 3.9-12.1MHz only
 w...for LW only
 x...not for all versions
 y...for USA version (1737) only
 z...for AM STEREO (0013/0033) versions only

Signal path:
 — FM
 - - - AM
 --- MPX (Audio Frequency)
 --- AF - left/right

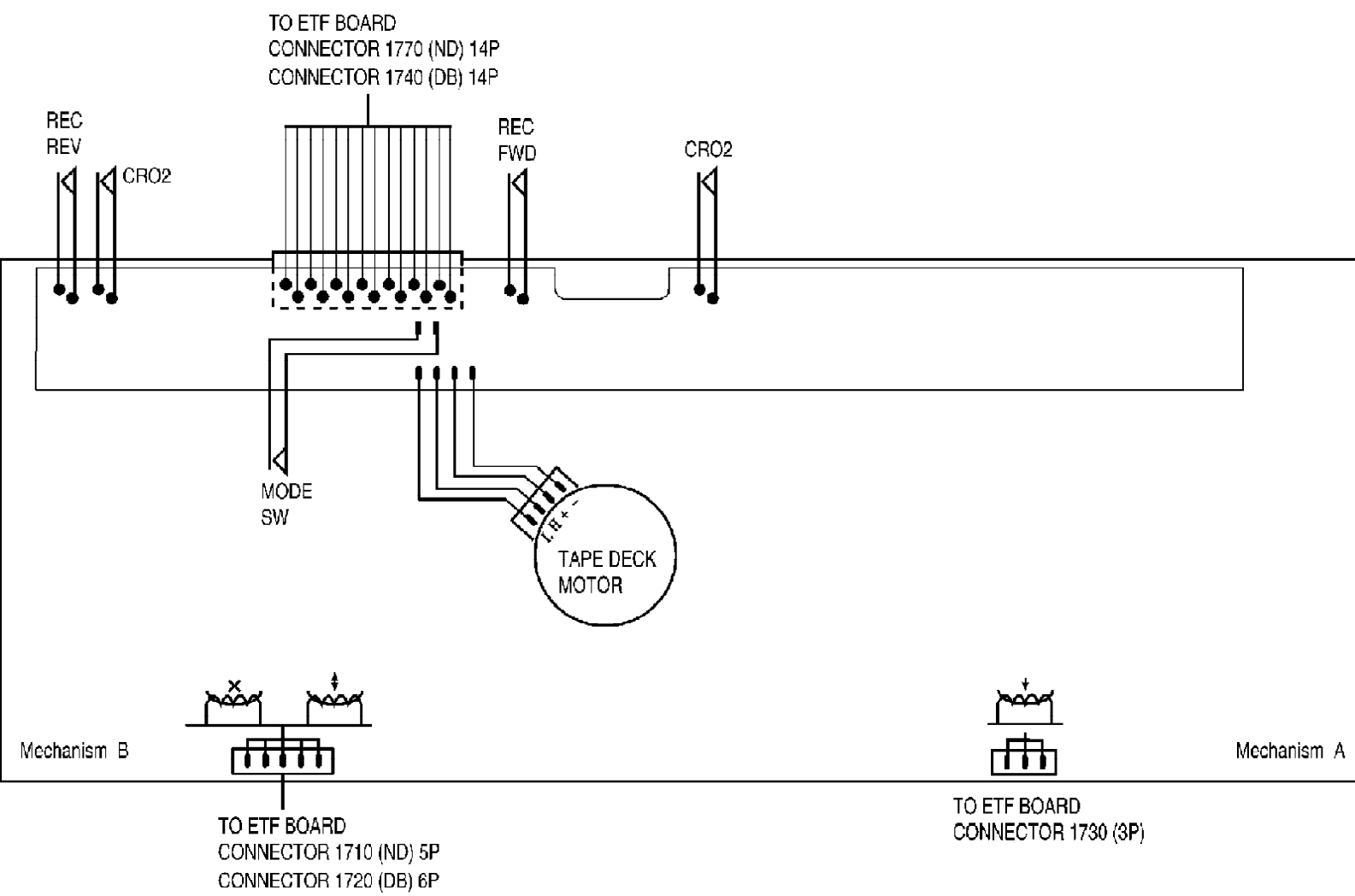
Chip jumper
 1
 2
 3
 4

Volts FM mode stereo
 Volts MW mode
 Volts LW mode

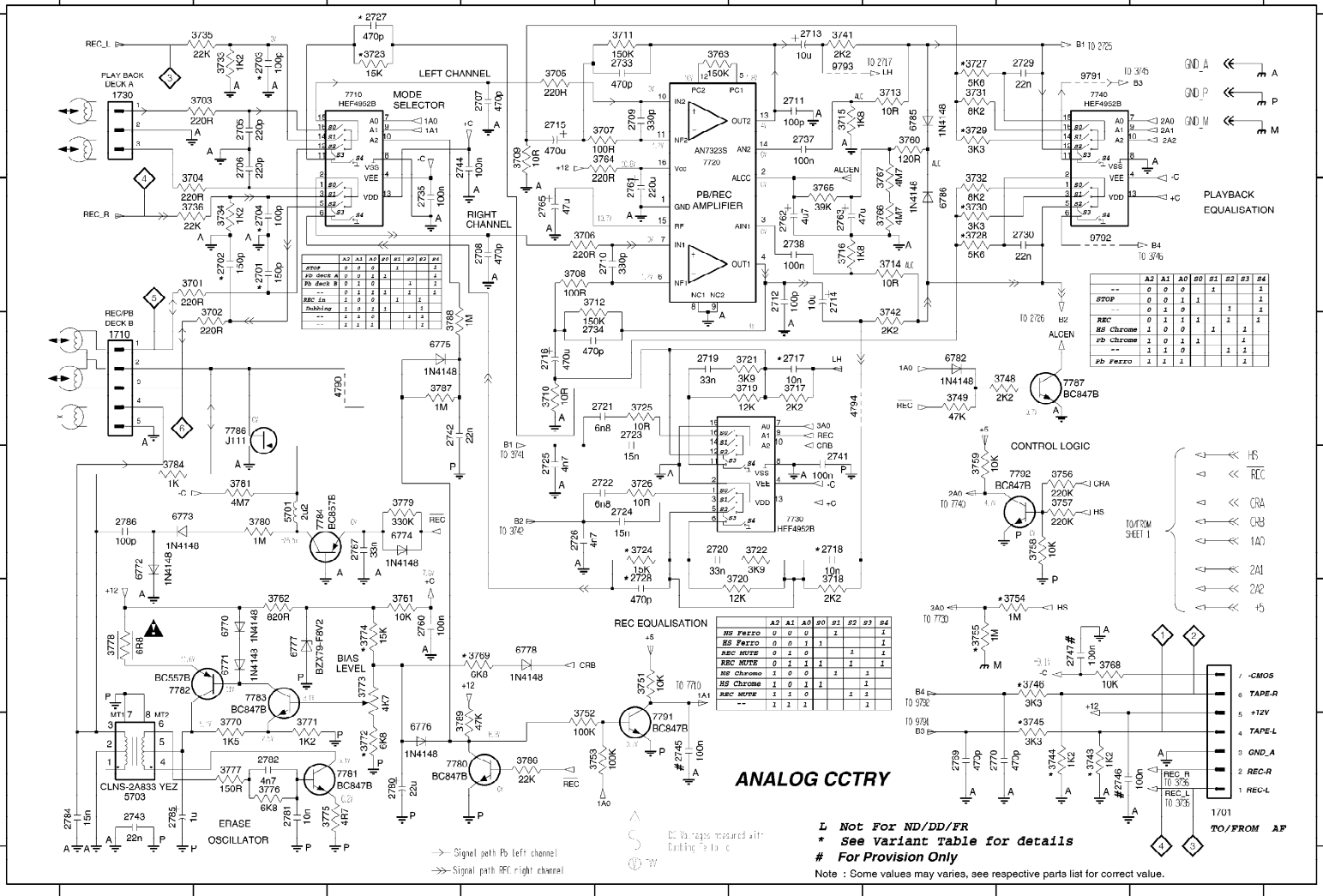
Volts measured with test lead to a silver solder filter

1001 A
1002 B
1003 C
1004 D
1005 E
1006 F
1007 G
1008 H
1009 I
1010 J
1011 K
1012 L
1013 M
1014 N
1015 O
1016 P
1017 Q
1018 R
1019 S
1020 T
1021 U
1022 V
1023 W
1024 X
1025 Y
1026 Z
1027 AA
1028 AB
1029 AC
1030 AD
1031 AE
1032 AF
1033 AG
1034 AH
1035 AI
1036 AJ
1037 AK
1038 AL
1039 AM
1040 AN
1041 AO
1042 AP
1043 AQ
1044 AR
1045 AS
1046 AT
1047 AU
1048 AV
1049 AW
1050 AX
1051 AY
1052 AZ
1053 BA
1054 BB
1055 BC
1056 BD
1057 BE
1058 BF
1059 BG
1060 BH
1061 BI
1062 BJ
1063 BK
1064 BL
1065 BM
1066 BN
1067 BO
1068 BP
1069 BQ
1070 BR
1071 BS
1072 BT
1073 BU
1074 BV
1075 BW
1076 BX
1077 BY
1078 BZ
1079 CA
1080 CB
1081 CC
1082 CD
1083 CE
1084 CF
1085 CG
1086 CH
1087 CI
1088 CJ
1089 CK
1090 CL
1091 CM
1092 CN
1093 CO
1094 CP
1095 CQ
1096 CR
1097 CS
1098 CT
1099 CU
1100 CV
1101 CW
1102 CX
1103 CY
1104 CZ
1105 DA
1106 DB
1107 DC
1108 DD
1109 DE
1110 DF
1111 DG
1112 DH
1113 DI
1114 DJ
1115 DK
1116 DL
1117 DM
1118 DN
1119 DO
1120 DP
1121 DQ
1122 DR
1123 DS
1124 DT
1125 DU
1126 DV
1127 DW
1128 DX
1129 DY
1130 DZ
1131 EA
1132 EB
1133 EC
1134 ED
1135 EE
1136 EF
1137 EG
1138 EH
1139 EI
1140 EJ
1141 EK
1142 EL
1143 EM
1144 EN
1145 EO
1146 EP
1147 EQ
1148 ER
1149 ES
1150 ET
1151 EU
1152 EV
1153 EW
1154 EX
1155 EY
1156 EZ
1157 FA
1158 FB
1159 FC
1160 FD
1161 FE
1162 FF
1163 FG
1164 FH
1165 FI
1166 FJ
1167 FK
1168 FL
1169 FM
1170 FN
1171 FO
1172 FP
1173 FQ
1174 FR
1175 FS
1176 FT
1177 FU
1178 FV
1179 FW
1180 FX
1181 FY
1182 FZ
1183 GA
1184 GB
1185 GC
1186 GD
1187 GE
1188 GF
1189 GG
1190 GH
1191 GI
1192 GJ
1193 GK
1194 GL
1195 GM
1196 GN
1197 GO
1198 GP
1199 GQ
1200 GR
1201 GS
1202 GT
1203 GU
1204 GV
1205 GW
1206 GX
1207 GY
1208 GZ
1209 HA
1210 HB
1211 HC
1212 HD
1213 HE
1214 HF
1215 HG
1216 HH
1217 HI
1218 HJ
1219 HK
1220 HL
1221 HM
1222 HN
1223 HO
1224 HP
1225 HQ
1226 HR
1227 HS
1228 HT
1229 HU
1230 HV
1231 HW
1232 HX
1233 HY
1234 HZ
1235 IA
1236 IB
1237 IC
1238 ID
1239 IE
1240 IF
1241 IG
1242 IH
1243 II
1244 IJ
1245 IK
1246 IL
1247 IM
1248 IN
1249 IO
1250 IP
1251 IQ
1252 IR
1253 IS
1254 IT
1255 IU
1256 IV
1257 IW
1258 IX
1259 IY
1260 IZ
1261 JA
1262 JB
1263 JC
1264 JD
1265 JE
1266 JF
1267 JG
1268 JH
1269 JI
1270 JJ
1271 JK
1272 JL
1273 JM
1274 JN
1275 JO
1276 JP
1277 JQ
1278 JR
1279 JS
1280 JT
1281 JU
1282 JV
1283 JW
1284 JX
1285 JY
1286 JZ
1287 KA
1288 KB
1289 KC
1290 KD
1291 KE
1292 KF
1293 KG
1294 KH
1295 KI
1296 KJ
1297 KK
1298 KL
1299 KM
1300 KN
1301 KO
1302 KP
1303 KQ
1304 KR
1305 KS
1306 KT
1307 KU
1308 KV
1309 KW
1310 KX
1311 KY
1312 KZ
1313 LA
1314 LB
1315 LC
1316 LD
1317 LE
1318 LF
1319 LG
1320 LH
1321 LI
1322 LJ
1323 LK
1324 LL
1325 LM
1326 LN
1327 LO
1328 LP
1329 LQ
1330 LR
1331 LS
1332 LT
1333 LU
1334 LV
1335 LW
1336 LX
1337 LY
1338 LZ
1339 MA
1340 MB
1341 MC
1342 MD
1343 ME
1344 MF
1345 MG
1346 MH
1347 MI
1348 MJ
1349 MK
1350 ML
1351 MN
1352 MO
1353 MP
1354 MQ
1355 MR
1356 MS
1357 MT
1358 MU
1359 MV
1360 MW
1361 MX
1362 MY
1363 MZ
1364 NA
1365 NB
1366 NC
1367 ND
1368 NE
1369 NF
1370 NG
1371 NH
1372 NI
1373 NJ
1374 NK
1375 NL
1376 NM
1377 NN
1378 NO
1379 NP
1380 NQ
1381 NR
1382 NS
1383 NT
1384 NU
1385 NV
1386 NW
1387 NX
1388 NY
1389 NZ
1390 OA
1391 OB
1392 OC
1393 OD
1394 OE
1395 OF
1396 OG
1397 OH
1398 OI
1399 OJ
1400 OK
1401 OL
1402 OM
1403 ON
1404 OO
1405 OP
1406 OQ
1407 OR
1408 OS
1409 OT
1410 OU
1411 OV
1412 OW
1413 OX
1414 OY
1415 OZ
1416 PA
1417 PB
1418 PC
1419 PD
1420 PE
1421 PF
1422 PG
1423 PH
1424 PI
1425 PJ
1426 PK
1427 PL
1428 PM
1429 PN
1430 PO
1431 PP
1432 PQ
1433 PR
1434 PS
1435 PT
1436 PU
1437 PV
1438 PW
1439 PX
1440 PY
1441 PZ
1442 QA
1443 QB
1444 QC
1445 QD
1446 QE
1447 QF
1448 QG
1449 QH
1450 QI
1451 QJ
1452 QK
1453 QL
1454 QM
1455 QN
1456 QO
1457 QP
1458 QQ
1459 QR
1460 QS
1461 QT
1462 QU
1463 QV
1464 QW
1465 QX
1466 QY
1467 QZ
1468 RA
1469 RB
1470 RC
1471 RD
1472 RE
1473 RF
1474 RG
1475 RH
1476 RI
1477 RJ
1478 RK
1479 RL
1480 RM
1481 RN
1482 RO
1483 RP
1484 RQ
1485 RR
1486 RS
1487 RT
1488 RU
1489 RV
1490 RW
1491 RX
1492 RY
1493 RZ
1494 SA
1495 SB
1496 SC
1497 SD
1498 SE
1499 SF
1500 SG
1501 SH
1502 SI
1503 SJ
1504 SK
1505 SL
1506 SM
1507 SN
1508 SO
1509 SP
1510 SQ
1511 SR
1512 SS
1513 ST
1514 SU
1515 SV
1516 SW
1517 SX
1518 SY
1519 SZ
1520 TA
1521 TB
1522 TC
1523 TD
1524 TE
1525 TF
1526 TG
1527 TH
1528 TI
1529 TJ
1530 TK
1531 TL
1532 TM
1533 TN
1534 TO
1535 TP
1536 TQ
1537 TR
1538 TS
1539 TT
1540 TU
1541 TV
1542 TW
1543 TX
1544 TY
1545 TZ
1546 UA
1547 UB
1548 UC
1549 UD
1550 UE
1551 UF
1552 UG
1553 UH
1554 UI
1555 UJ
1556 UK
1557 UL
1558 UM
1559 UN
1560 UO
1561 UP
1562 UQ
1563 UR
1564 US
1565 UT
1566 UY
1567 UZ
1568 VA
1569 VB
1570 VC
1571 VD
1572 VE
1573 VF
1574 VG
1575 VH
1576 VI
1577 VJ
1578 VK
1579 VL
1580 VM
1581 VN
1582 VO
1583 VP
1584 VQ
1585 VR
1586 VS
1587 VT
1588 VY
1589 VZ
1590 WA
1591 WB
1592 WC
1593 WD
1594 WE
1595 WF
1596 WG
1597 WH
1598 WI
1599 WJ
1600 WK
1601 WL
1602 WM
1603 WN
1604 WO
1605 WP
1606 WQ
1607 WR
1608 WS
1609 WT
1610 WY
1611 WZ
1612 XA
1613 XB
1614 XC
1615 XD
1616 XE
1617 XF
1618 XG
1619 XH
1620 XI
1621 XJ
1622 XK
1623 XL
1624 XM
1625 XN
1626 XO
1627 XP
1628 XQ
1629 XR
1630 XS
1631 XT
1632 XU
1633 XV
1634 XW
1635 XX
1636 XY
1637 XZ
1638 YA
1639 YB
1640 YC
1641 YD
1642 YE
1643 YF
1644 YG
1645 YH
1646 YI
1647 YJ
1648 YK
1649 YL
1650 YM
1651 YN
1652 YO
1653 YP
1654 YQ
1655 YR
1656 YS
1657 YT
1658 YU
1659 YV
1660 YW
1661 YX
1662 YY
1663 YZ
1664 ZA
1665 ZB
1666 ZC
1667 ZD
1668 ZE
1669 ZF
1670 ZG
1671 ZH
1672 ZI
1673 ZJ
1674 ZK
1675 ZL
1676 ZM
1677 ZN
1678 ZO
1679 ZP
1680 ZQ
1681 ZR
1682 ZS
1683 ZT
1684 ZU
1685 ZV
1686 ZW
1687 ZX
1688 ZY
1689 ZZ

Tapedeck wiring (Double deck)



1701 F9	2705 A2	2712 B6	2719 C5	2726 D4	2736 B3	2745 F5	2765 B4	2785 F1	3705 A4	3713 B4	3719 C6	3726 D5	3733 A2	3744 F8	3753 F5	3760 A7	3767 A7	3774 E3	3781 D2	4794 C6	6774 D3	6786 B7	7782 E1	9791 A8
1710 C1	2706 A2	2713 A6	2720 D5	2727 A3	2737 A6	2746 F8	2766 F7	2786 D1	3706 B4	3713 A7	3720 F6	3727 A7	3734 R2	3745 F8	3754 E8	3761 E3	3768 E8	3775 F3	3784 D1	5701 D2	6775 C3	7710 A3	7783 E2	9792 B8
1730 A1	2707 A4	2714 B6	2721 C5	2728 E5	2738 B6	2747 E8	2770 F8	2787 D3	3707 A5	3714 B7	3721 C6	3728 B7	3735 A2	3746 E8	3755 E7	3762 E2	3769 E4	3776 F2	3786 F4	5703 F1	6776 F3	7720 A5	7784 D2	9793 A6
2701 B2	2708 B4	2715 A4	2722 D6	2729 A8	2741 D6	2760 E3	2780 F3	3701 B1	3708 B4	3715 A6	3722 D6	3729 A7	3736 B1	3748 C8	3756 D8	3763 A6	3770 F2	3777 F2	3787 C3	6770 E2	6777 E2	7730 D6	7786 C2	
2702 B2	2709 A5	2716 C4	2723 C5	2730 B8	2742 C3	2761 B5	2781 F2	3702 C2	3709 A4	3716 B6	3723 A3	3730 B7	3741 A6	3749 C7	3757 D8	3764 A5	3771 F2	3778 E1	3788 C3	6771 E2	6778 E4	7740 A8	7787 C8	
2703 A2	2710 B5	2717 C8	2724 D5	2733 A5	2743 F1	2762 B6	2782 F2	3703 A2	3710 C4	3717 C6	3724 D5	3730 A7	3742 C7	3751 E5	3758 D8	3765 B6	3772 F3	3779 D3	3789 F4	6772 D1	6782 C7	7750 F4	7791 F5	
2704 B2	2711 A6	2718 D6	2725 D4	2734 C4	2744 A4	2763 B6	2784 F1	3704 B1	3711 A5	3718 E6	3725 C5	3732 B7	3743 F8	3752 F4	3759 D7	3766 B7	3773 E3	3780 D2	4790 C3	6773 D1	6785 A7	7781 F3	7792 D8	



	A2	A1	A0	S0	S1	S2	S3	S4
STOP	0	0	1	1	1	1	1	1
REC	0	0	1	1	1	1	1	1
REC Chrome	1	0	0	1	1	1	1	1
Pb chrome	1	0	1	1	1	1	1	1
Pb Ferro	1	1	1	1	1	1	1	1

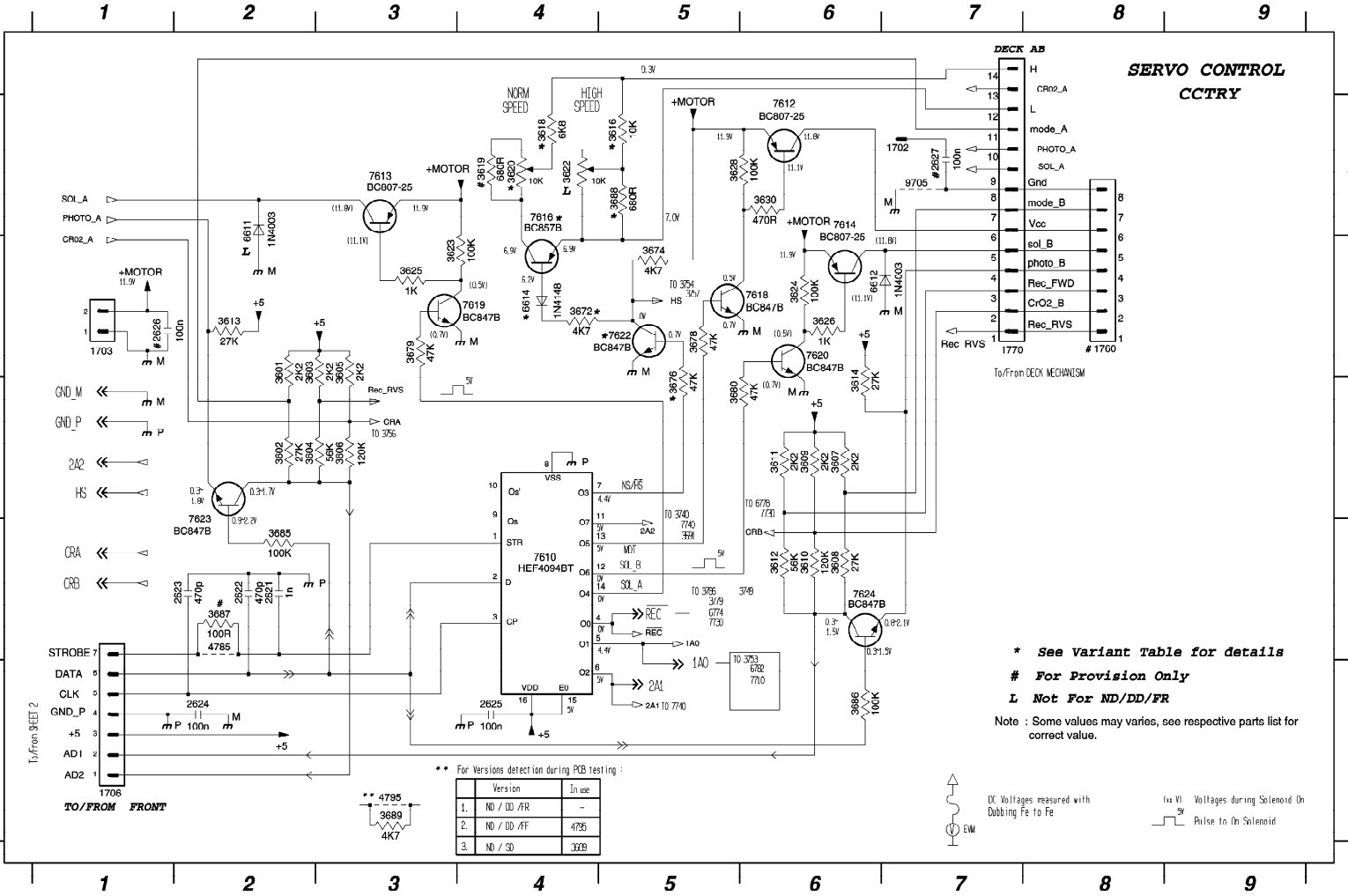
HS	A2	A1	A0	S0	S1	S2	S3	S4
HS Ferro	0	0	0	1	1	1	1	1
REC MUFE	0	1	1	1	1	1	1	1
REC Chrome	1	0	1	1	1	1	1	1
REC MUFE	1	1	1	1	1	1	1	1

ANALOG CCTRY

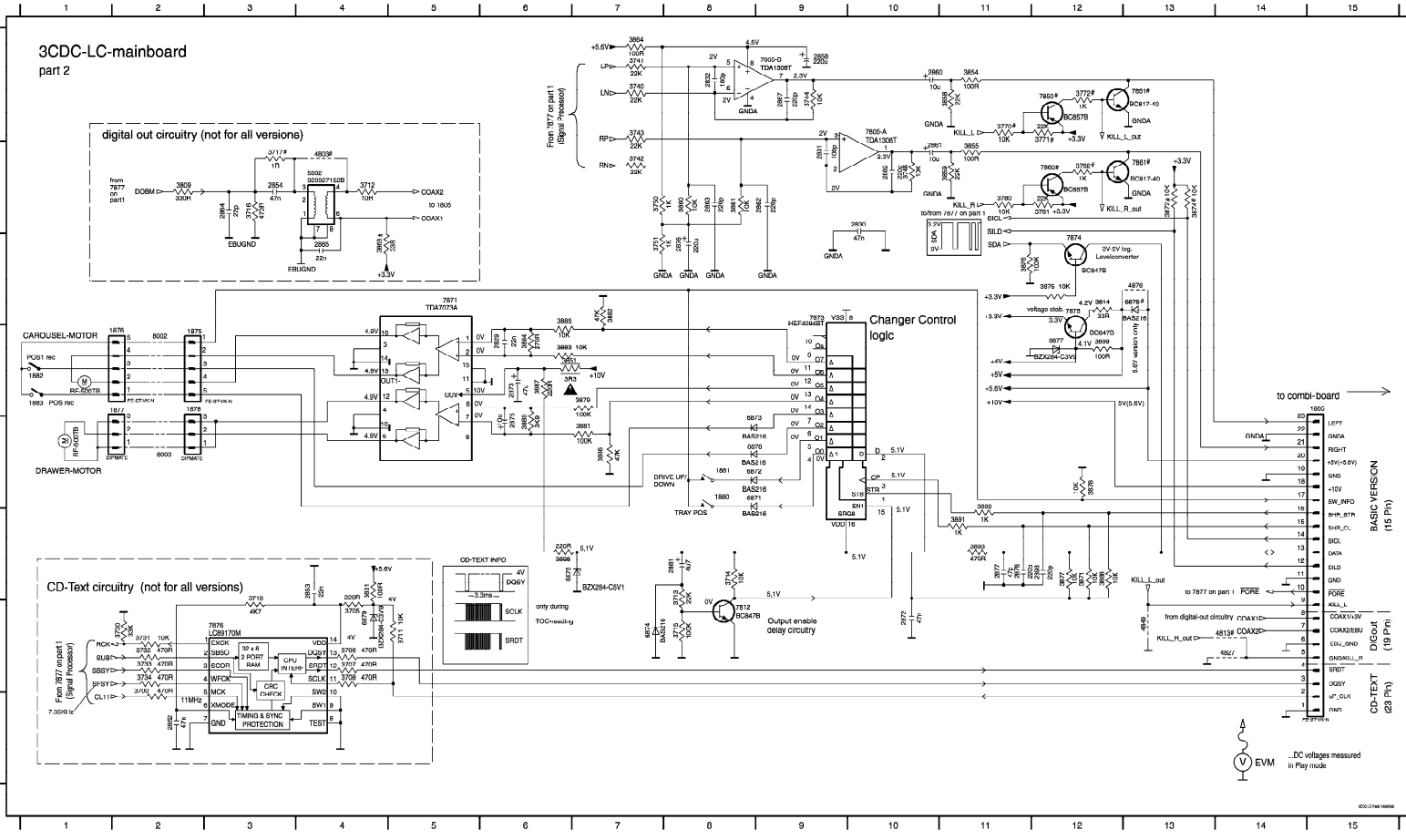
L Not For ND/DD/ER
 * See Variant Table for details
 # For Provision Only

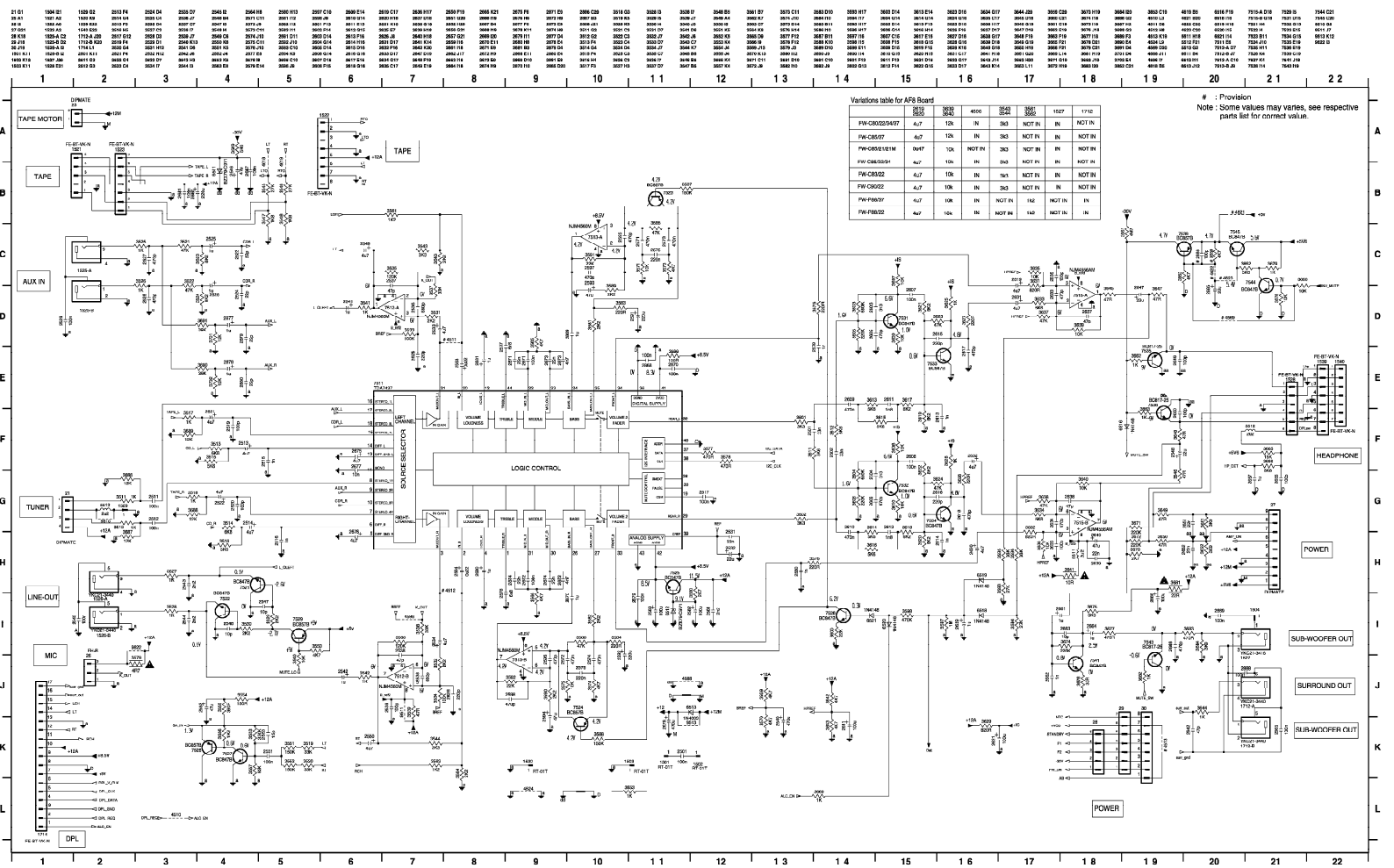
Note : Some values may varies, see respective parts list for correct value.

1702 A7 1760 B8 2622 D2 2625 E4 3601 B2 3604 C2 3607 C5 3610 D6 3613 B2 3618 A4 3622 A4 3625 B3 3630 A6 3676 C5 3680 C5 3687 D2 4785 D2 6612 B6 7612 A6 7616 A4 7620 B5 7624 D6
 1703 B1 1770 B7 2623 D2 2626 B1 3602 C2 3605 B3 3606 D6 3611 C6 3614 C6 3619 A4 3623 B3 3626 B6 3672 B4 3678 B5 3685 D2 3686 A5 4795 E3 6614 B4 7613 A3 7618 B6 7622 B5 9705 A7
 1706 E1 2621 D2 2624 E2 2627 A7 3603 B2 3606 C3 3609 C6 3612 D6 3616 A5 3620 A4 3624 B6 3628 A5 3674 B5 3679 B5 3686 E6 3689 E3 6611 A2 7610 D4 7614 A6 7619 B4 7623 D2



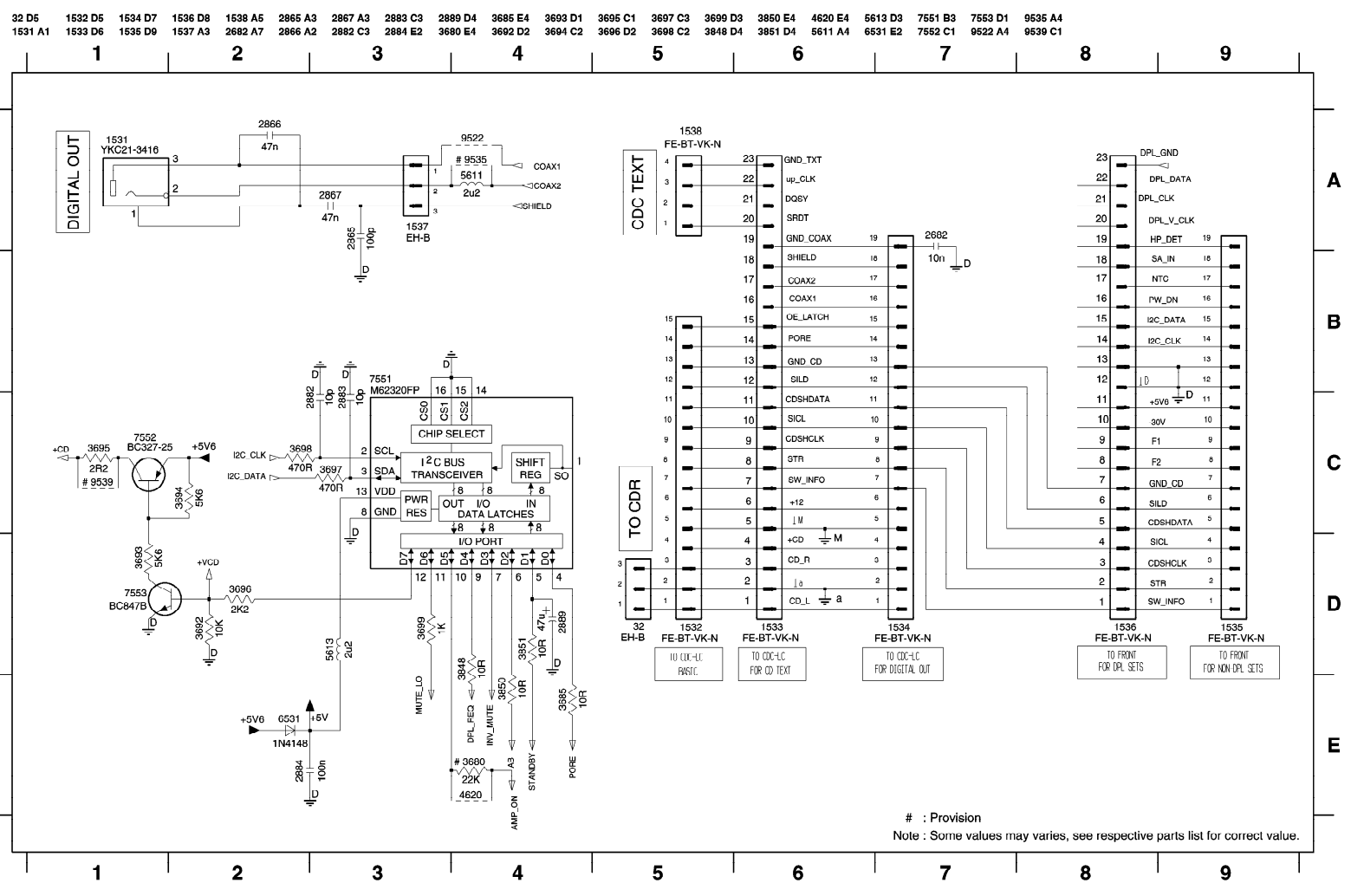
1605 D15	2630 B10	2858 A10	2865 C4	2877 F11	3705 G4	3713 F8	3730 G2	3741 A7	3751 C7	3762 B12	3855 B11	3868 C4	3877 F12	3883 D6	3890 F11	4815 G14	6872 E8	6878 E8	7851 A13	7875 C12	MP725 D6	MP803 F10	MP810 F13	MP830 A9	MP856 E14	MP867 E8	MP882 G2	MP881 B5
1675 D2	2811 B9	2860 A10	2867 A9	2878 F11	3705 G4	3714 F8	3731 G2	3742 E7	3750 A11	3859 B2	3858 A11	3871 F12	3878 E12	3884 D6	3891 F11	4827 G14	6873 E8	6879 G4	7850 B12	7876 G3	MP725 D8	MP803 G14	MP811 F13	MP832 G9	MP857 B13	MP868 F8	MP885 G3	MP882 B5
1678 D2	2832 A8	2861 B10	2872 G10	2881 F8	3707 G4	3715 G8	3732 G2	3743 A7	3751 A12	3814 C12	3859 B11	3873 B13	3879 D7	3885 C8	3893 F11	4848 C13	6874 G7	7850 A10	7881 B13	MP721 C8	MP743 H14	MP805 E13	MP822 E3	MP833 F13	MP862 G13	MP880 C12	MP887 H5	
1850 E8	2852 H2	2862 B9	2873 D8	2882 B10	3708 G4	3716 B3	3733 G2	3744 A9	3752 A12	3831 F4	3860 B8	3874 B13	3880 E5	3886 E7	3888 F8	4878 F9	6875 F8	7850 B A9	7871 C5	MP722 E8	MP741 G14	MP806 F13	MP823 D3	MP834 G14	MP863 C11	MP871 D6	MP888 G5	
1851 E8	2853 F4	2863 B8	2875 E5	2883 F12	3711 G5	3717 E3	3734 G2	3746 B10	3753 B11	3851 D6	3861 B8	3875 C13	3881 E6	3887 B6	3899 D12	4862 B4	6876 C13	7812 C8	7873 C8	MP723 C8	MP742 B14	MP807 F14	MP824 D4	MP835 F14	MP865 D11	MP874 D12	MP888 D13	
2829 D8	2854 B3	2864 B3	2876 C8	2878 C8	3700 H2	3712 B4	3718 G3	3740 A7	3750 B7	3781 B12	3854 A11	3864 A7	3876 C11	3882 C7	3888 F12	4803 B4	6877 D12	7850 A12	7874 C12	MP724 D8	MP801 D12	MP808 E13	MP825 D4	MP854 A13	MP866 E8	MP881 G2	MP890 B3	





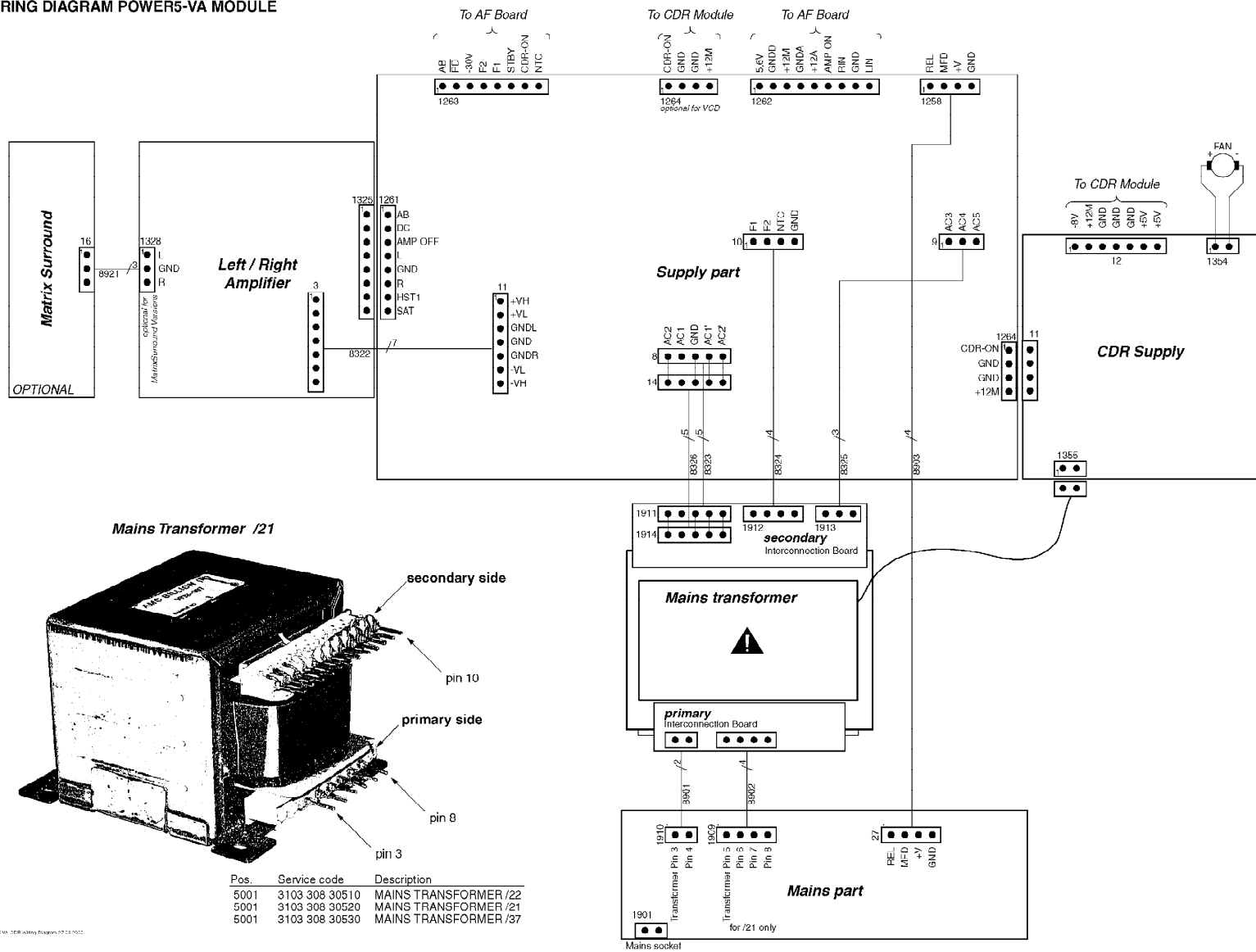
Variations table for AF8 Board

Part No.	Value	4000	4000	4000	1527	1712
FW-CROSS407	4.7	10K	EN	3A3	NOT IN	EN
FW-CBS37	4.7	10K	EN	3A3	NOT IN	EN
FW-CBS1818M	0.047	10K	NOT IN	3A3	NOT IN	EN
FW-CBS334	4.7	10K	EN	3A3	NOT IN	EN
FW-CBS22	4.7	10K	EN	3A3	NOT IN	EN
FW-CBS22	4.7	10K	EN	3A3	NOT IN	EN
FW-FBS37	4.7	10K	EN	NOT IN	1A2	NOT IN
FW-FBS22	4.7	10K	EN	NOT IN	1A2	NOT IN

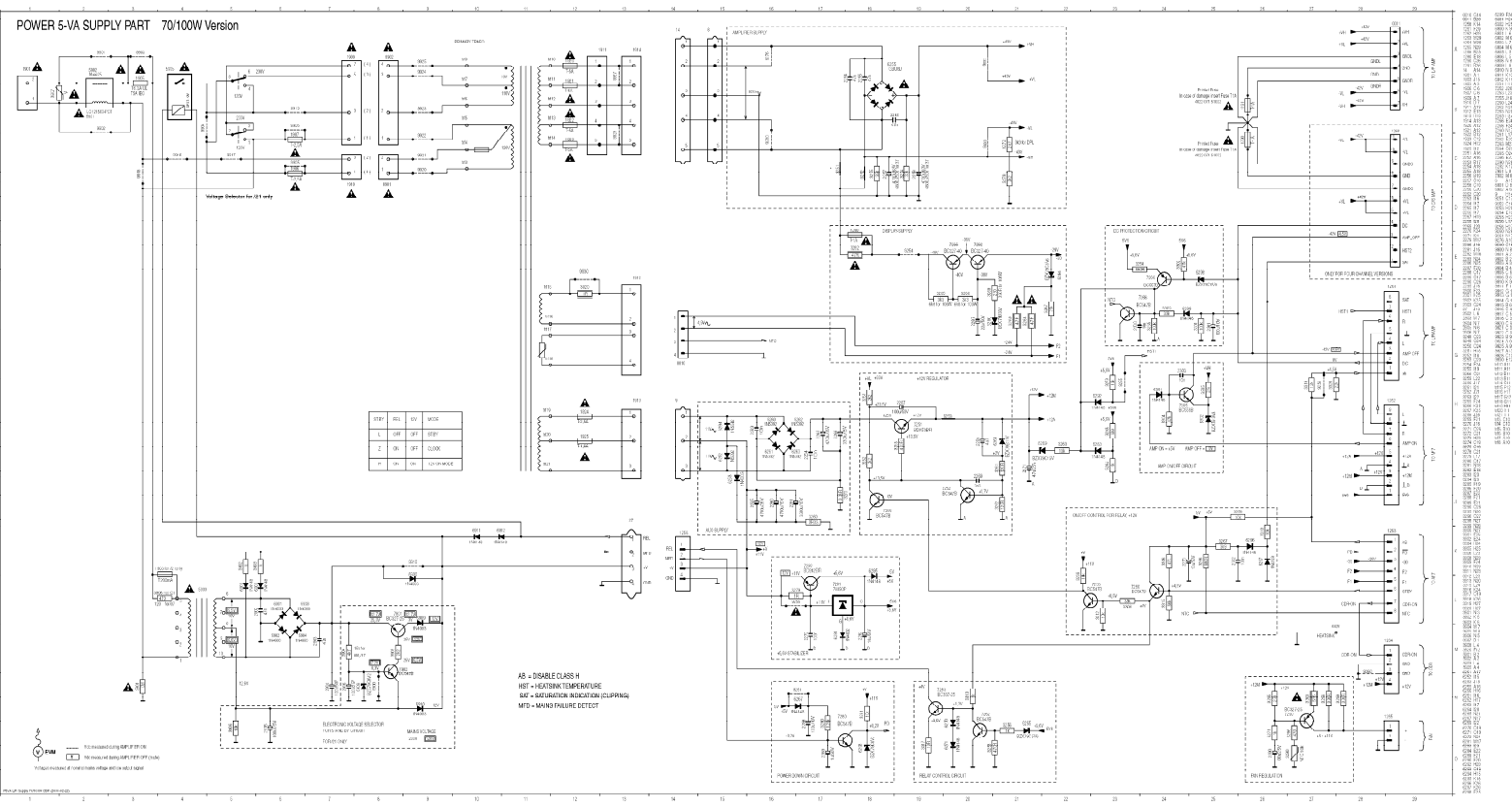


: Provision
 Note : Some values may varies, see respective parts list for correct value.

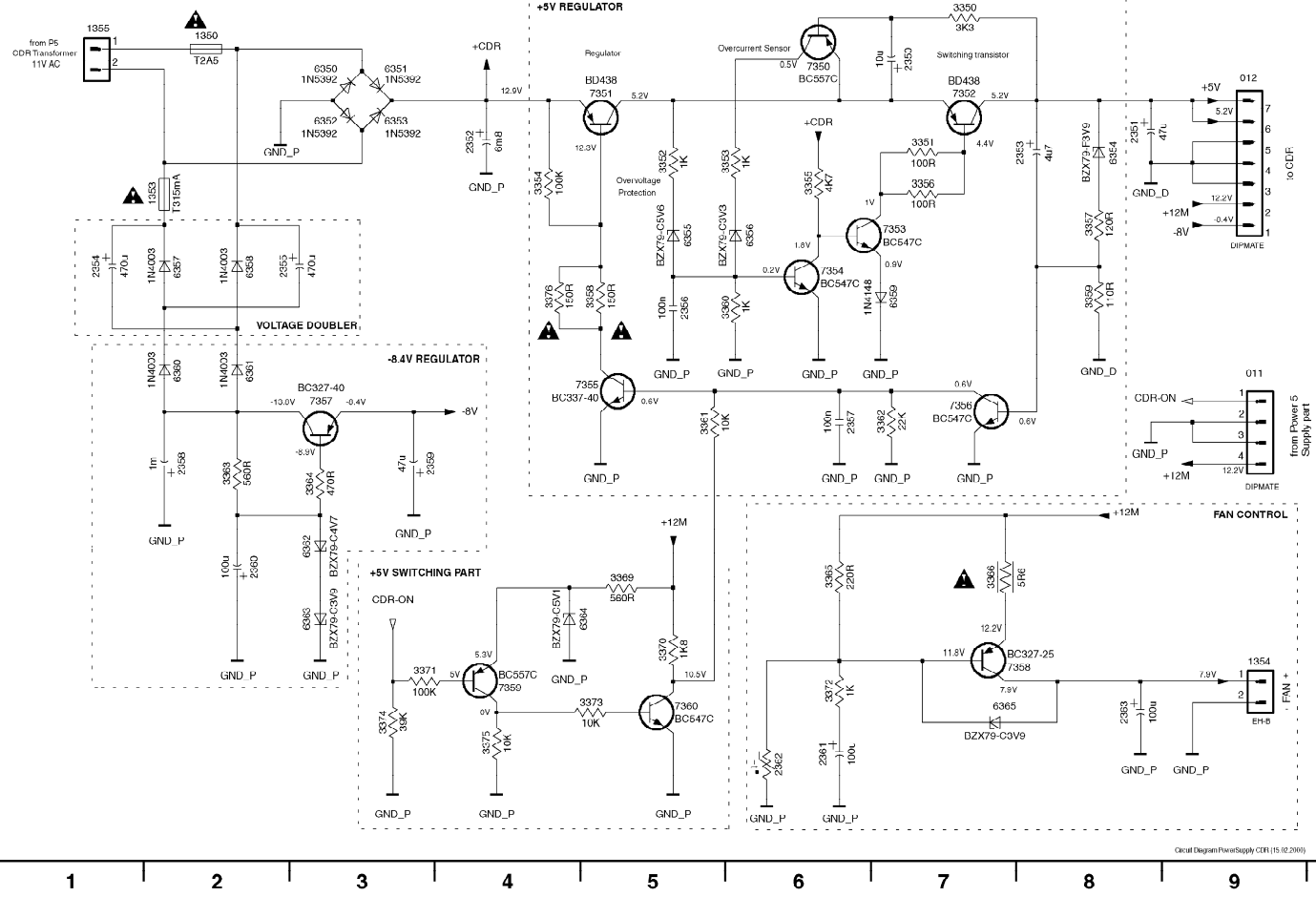
WIRING DIAGRAM POWERS-VA MODULE



Source: W. 1288 with POWERS-VA 1972-1973



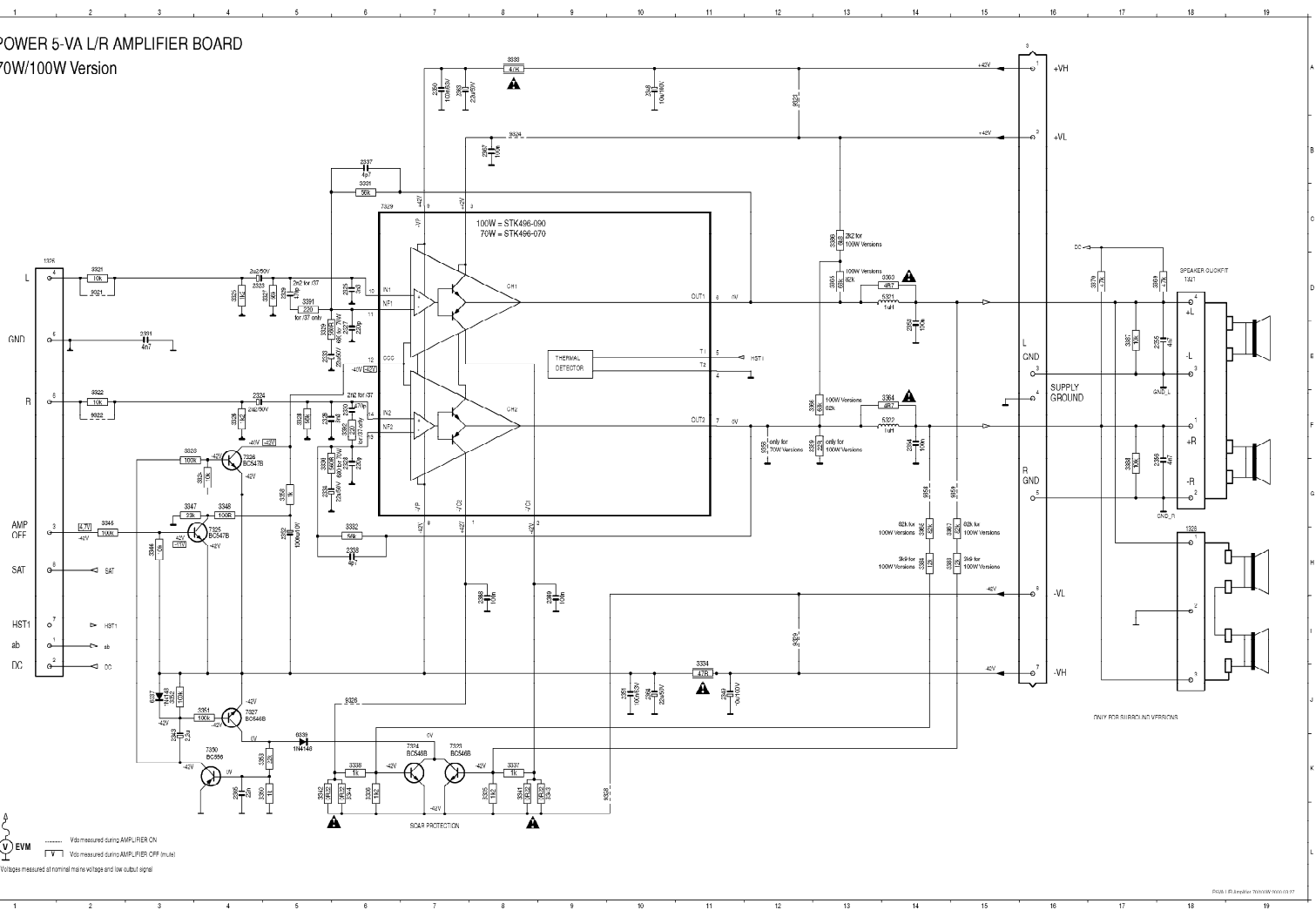
POWER SUPPLY CDR



Circuit Diagram Power Supply CDR (15.12.2005)

- 011 C9
- 1350 A2
- 1351 A1
- 1353 B2
- 1354 E9
- 1355 A1
- 2350 A7
- 2351 B4
- 2352 B4
- 2353 B8
- 2354 C1
- 2355 C2
- 2356 C5
- 2357 D6
- 2358 D2
- 2359 D3
- 2360 E2
- 2361 F6
- 2362 F6
- 2363 F8
- 2364 A7
- 2365 B7
- 2366 B5
- 2367 B6
- 2368 B6
- 2369 B7
- 2370 E5
- 2371 E3
- 2372 E6
- 2373 F5
- 2374 F4
- 2375 F4
- 2376 C4
- 2377 C4
- 6350 A3
- 6351 A3
- 6352 B3
- 6353 B3
- 6354 B8
- 6355 B5
- 6356 B6
- 6357 C2
- 6358 C2
- 6359 C2
- 6360 C2
- 6361 C2
- 6362 D3
- 6363 D3
- 6364 E4
- 6365 E7
- 7350 A6
- 7351 A5
- 7352 A7
- 7353 B7
- 7354 C6
- 7355 C5
- 7356 C7
- 7357 C3
- 7358 E7
- 7359 E4
- 7360 F5

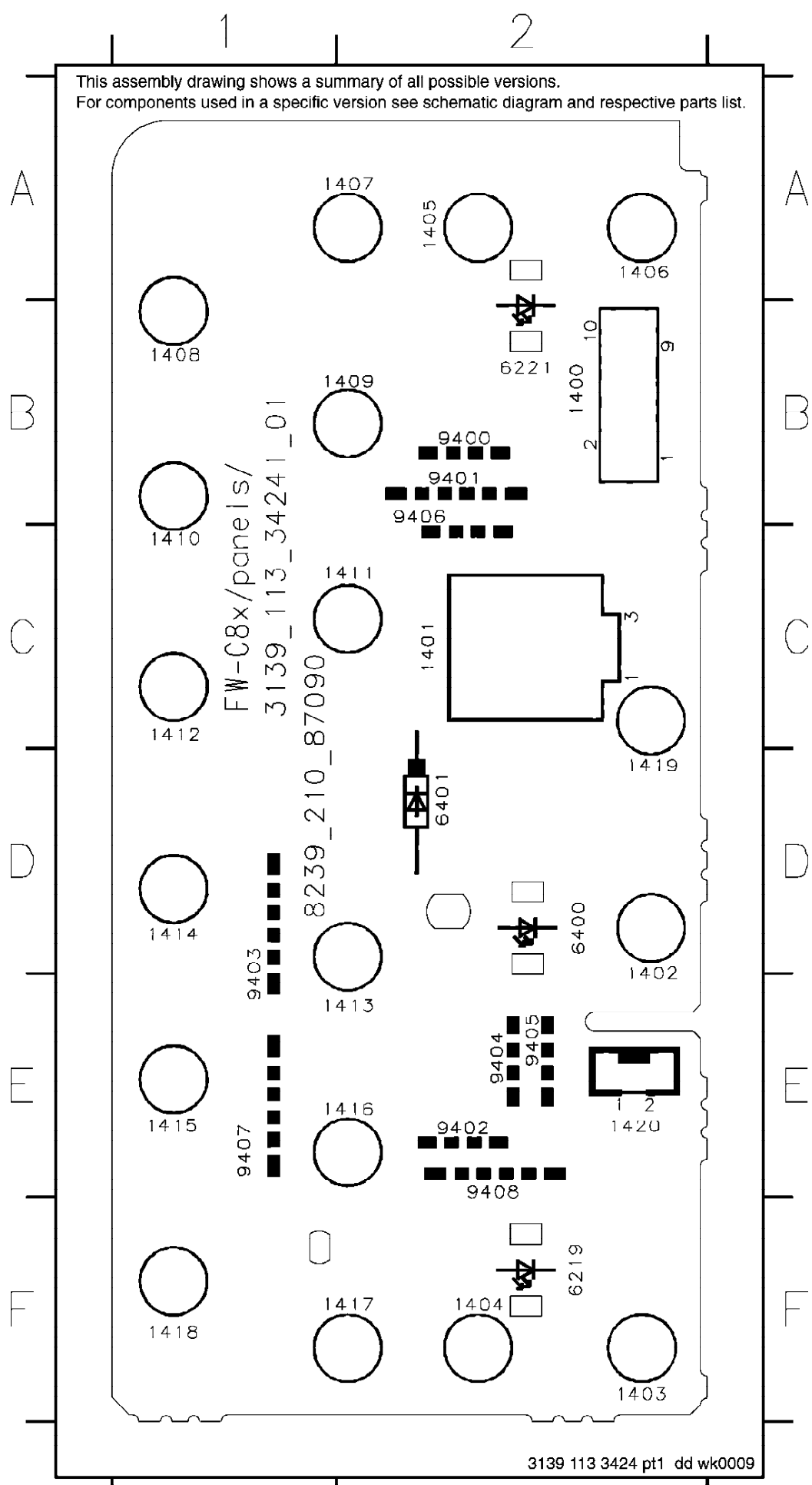
POWER 5-VA L/R AMPLIFIER BOARD 70W/100W Version



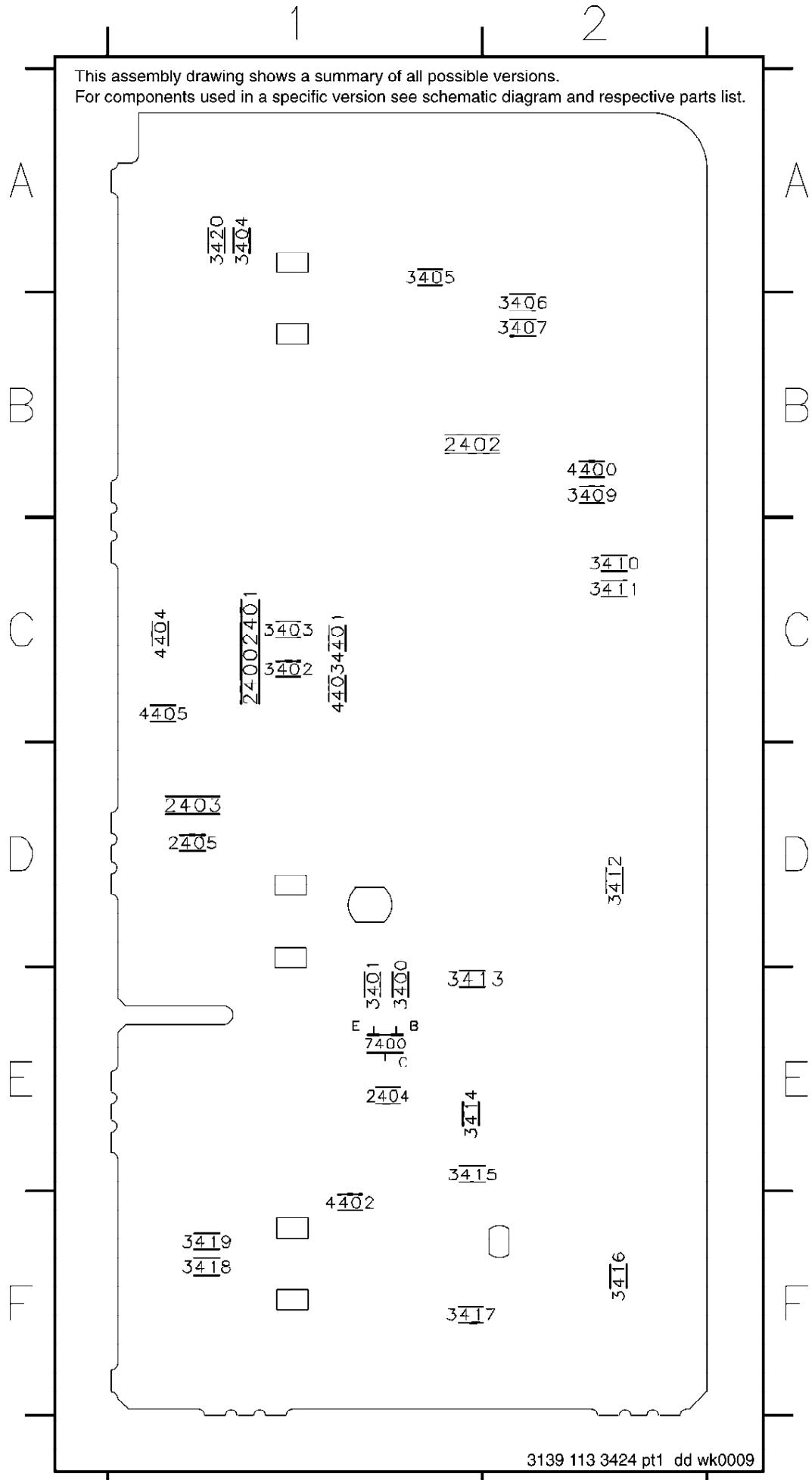
1924	D16
1925	D1
1926	D1
1927	B6
1928	F4
1929	D4
1930	F6
1931	F6
1932	D1
1933	F6
1934	F6
1935	F6
1936	F6
1937	F6
1938	F6
1939	F6
1940	F6
1941	F6
1942	F6
1943	F6
1944	F6
1945	F6
1946	F6
1947	F6
1948	F6
1949	F6
1950	F6
1951	F6
1952	F6
1953	F6
1954	F6
1955	F6
1956	F6
1957	F6
1958	F6
1959	F6
1960	F6
1961	F6
1962	F6
1963	F6
1964	F6
1965	F6
1966	F6
1967	F6
1968	F6
1969	F6
1970	F6
1971	F6
1972	F6
1973	F6
1974	F6
1975	F6
1976	F6
1977	F6
1978	F6
1979	F6
1980	F6
1981	F6
1982	F6
1983	F6
1984	F6
1985	F6
1986	F6
1987	F6
1988	F6
1989	F6
1990	F6
1991	F6
1992	F6
1993	F6
1994	F6
1995	F6
1996	F6
1997	F6
1998	F6
1999	F6
2000	F6

Photo: E:\3\analog\700000\WC85C37

1400	B2	1407	A2	1414	D1	6219	F2	9403	E1
1401	C2	1408	B1	1415	E1	6221	B2	9404	E2
1402	D2	1409	B2	1416	E2	6400	D2	9405	E2
1403	F2	1410	C1	1417	F2	6401	D2	9406	B2
1404	F2	1411	C2	1418	F1	9400	B2	9407	F1
1405	A2	1412	C1	1419	D2	9401	B2	9408	E2
1406	A2	1413	E2	1420	E2	9402	E2		

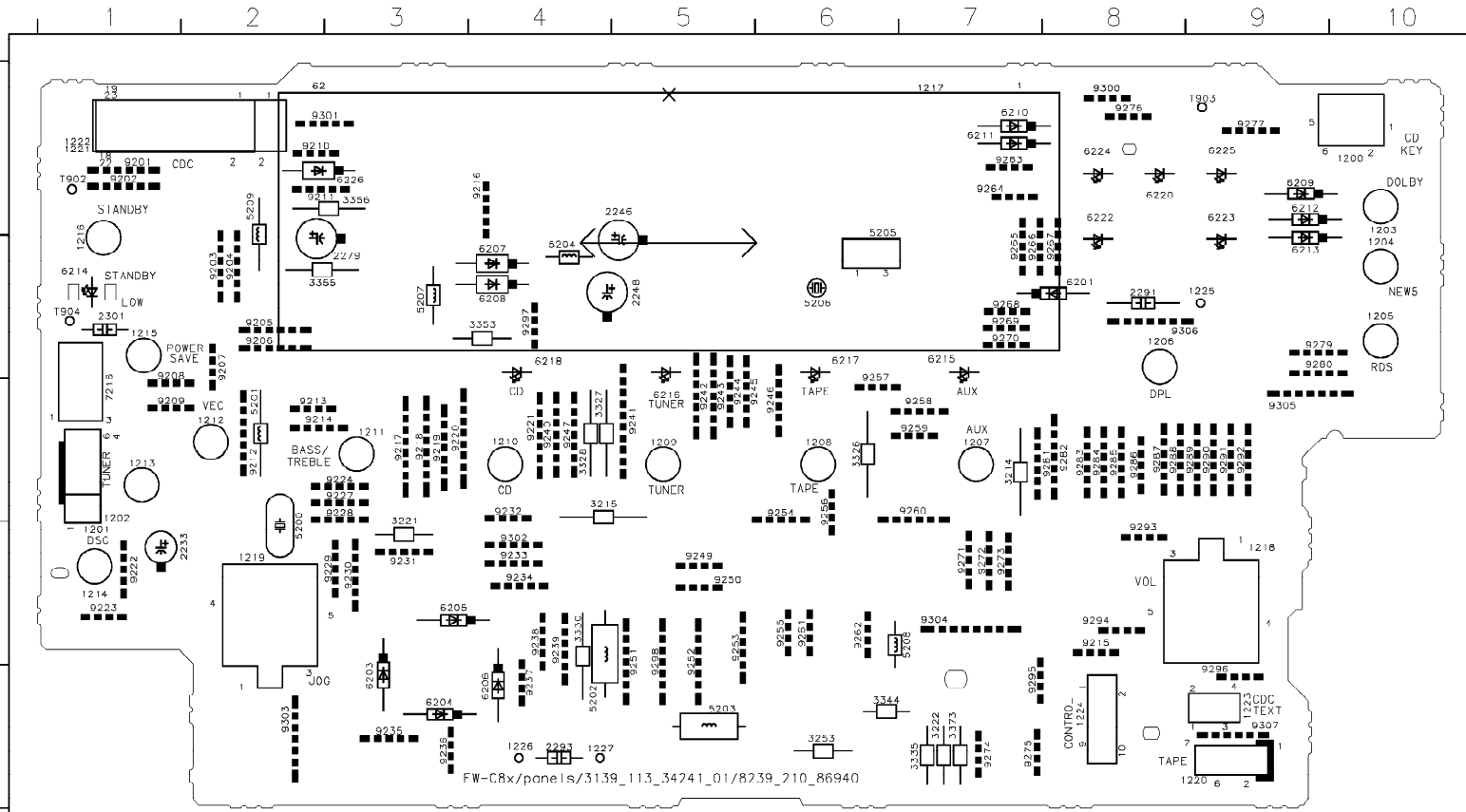


2400	C1	3401	E1	3409	B2	3416	F2	4402	F1
2401	C1	3402	C1	3410	C2	3417	F1	4403	C1
2402	B1	3403	C1	3411	C2	3418	F1	4404	C1
2403	D1	3404	A1	3412	D2	3419	F1	4405	C1
2404	E1	3405	A1	3413	E1	3420	A1	7400	E1
2405	D1	3406	B2	3414	E1	4400	B2		
3400	E1	3407	B2	3415	E1	4401	C1		



This assembly drawing shows a summary of all possible versions.
 For components used in a specific version see schematic diagram and respective parts list.

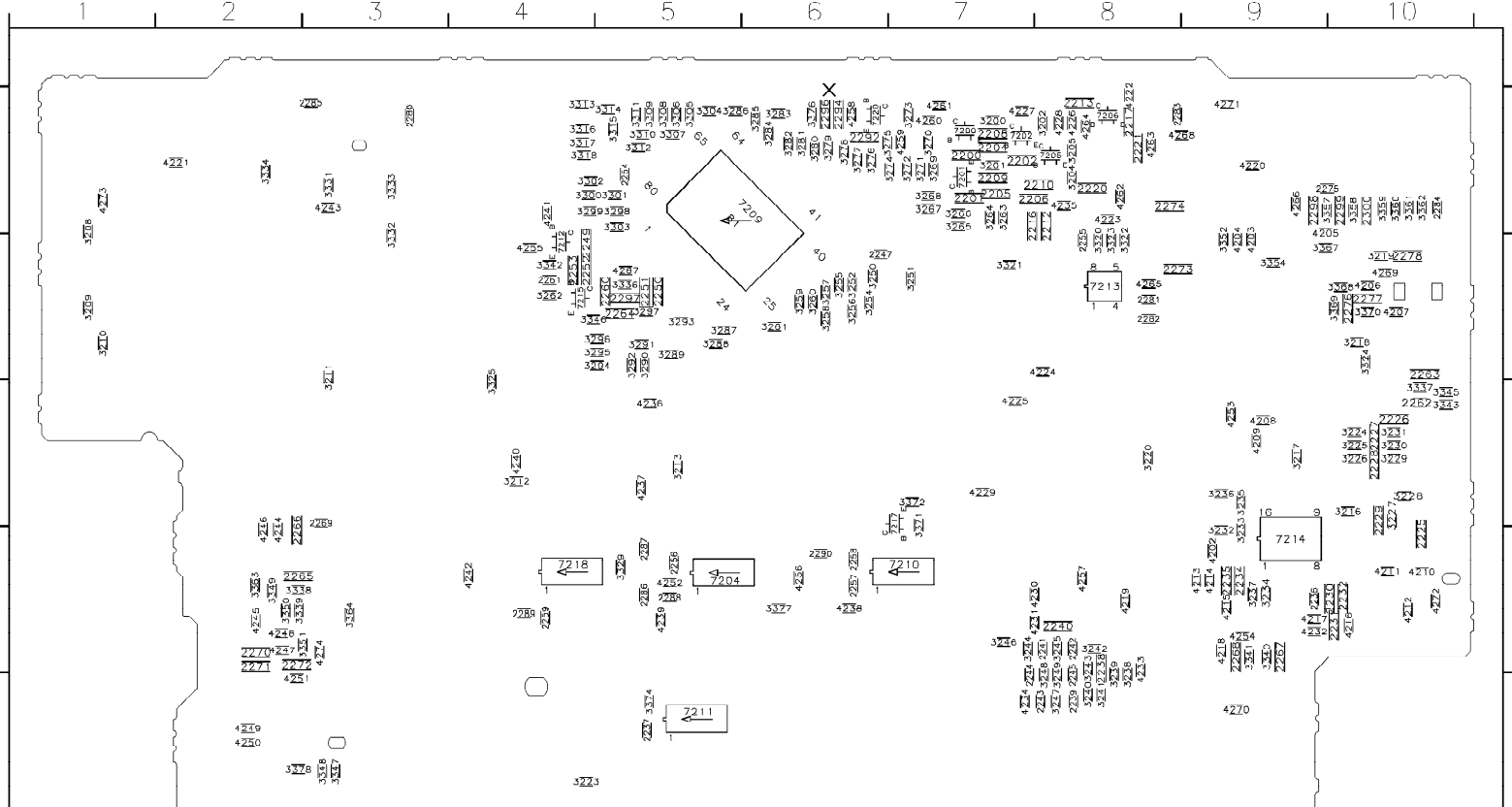
1200	A10	1212	C2	1224	E8	3215	C4	3356	A3	6201	B8	6214	B1	9201	A1	9213	C2	9227	C3	9239	D4	9252	D5	9264	A7	9276	A8	9289	C9	9302	D4
1201	D1	1213	C1	1225	D9	3221	C3	3378	D3	6203	F3	6215	D7	9202	A1	9214	C2	9228	C3	9240	C4	9253	D5	9265	A7	9277	A8	9290	C9	9303	F2
1202	C1	1214	D1	1226	E4	3222	F7	3379	D2	6204	F4	6216	D5	9203	B2	9215	D8	9229	D3	9241	C5	9254	C8	9266	B7	9278	A8	9291	C9	9304	D7
1203	A10	1215	D1	1227	F4	3253	C6	3520	C2	6205	D3	6217	D6	9204	D2	9216	A4	9230	D3	9242	C5	9255	D6	9267	D8	9280	D9	9292	C9	9305	C9
1204	B10	1216	R1	1228	F7	3254	C5	3521	C1	6206	F4	6218	F4	9205	D3	9217	C3	9231	D3	9243	C5	9256	D6	9268	D8	9281	D8	9293	D8	9306	B8
1205	B10	1217	A7	1229	A5	3272	C4	3522	C4	6207	F4	6220	A8	9206	D2	9218	C3	9232	C4	9244	C5	9257	B5	9269	D7	9282	D8	9294	D8	9307	E9
1206	B8	1218	D2	1230	B5	3273	C4	3523	C4	6208	B4	6222	A8	9207	D2	9219	C3	9233	D4	9245	C5	9258	C7	9270	D7	9283	D8	9295	F7	9308	A1
1207	C7	1219	D2	1231	F4	3274	C4	3524	C4	6209	A9	6223	A9	9208	B1	9220	C3	9234	D4	9246	C6	9259	C7	9271	D7	9284	D8	9296	E9	9309	A9
1208	C6	1220	E9	1232	F4	3275	C4	3525	C4	6210	A7	6224	A8	9209	C1	9221	C4	9235	D5	9247	C4	9260	C7	9272	D7	9285	D8	9297	B4	9310	B1
1209	C4	1221	A1	1233	F4	3276	C4	3526	C4	6211	A7	6225	A5	9210	A2	9222	D1	9236	D4	9249	D4	9261	D6	9273	D7	9286	D8	9298	D5	9300	A8
1210	C4	1222	A1	1234	F4	3277	C4	3527	C4	6212	A9	6226	A5	9211	A2	9223	D1	9237	D4	9250	D5	9262	D6	9274	D7	9287	D8	9299	A3	9301	A3
1211	C3	1223	E9	1235	E9	3278	B2	3528	A2	6213	B9	7216	C1	9212	C2	9224	C3	9238	D4	9251	D5	9263	A7	9275	E7	9288	C8	9302	A3	9303	A3



FW-CRx/panels/3139_113_34241_01/8239_210_86940

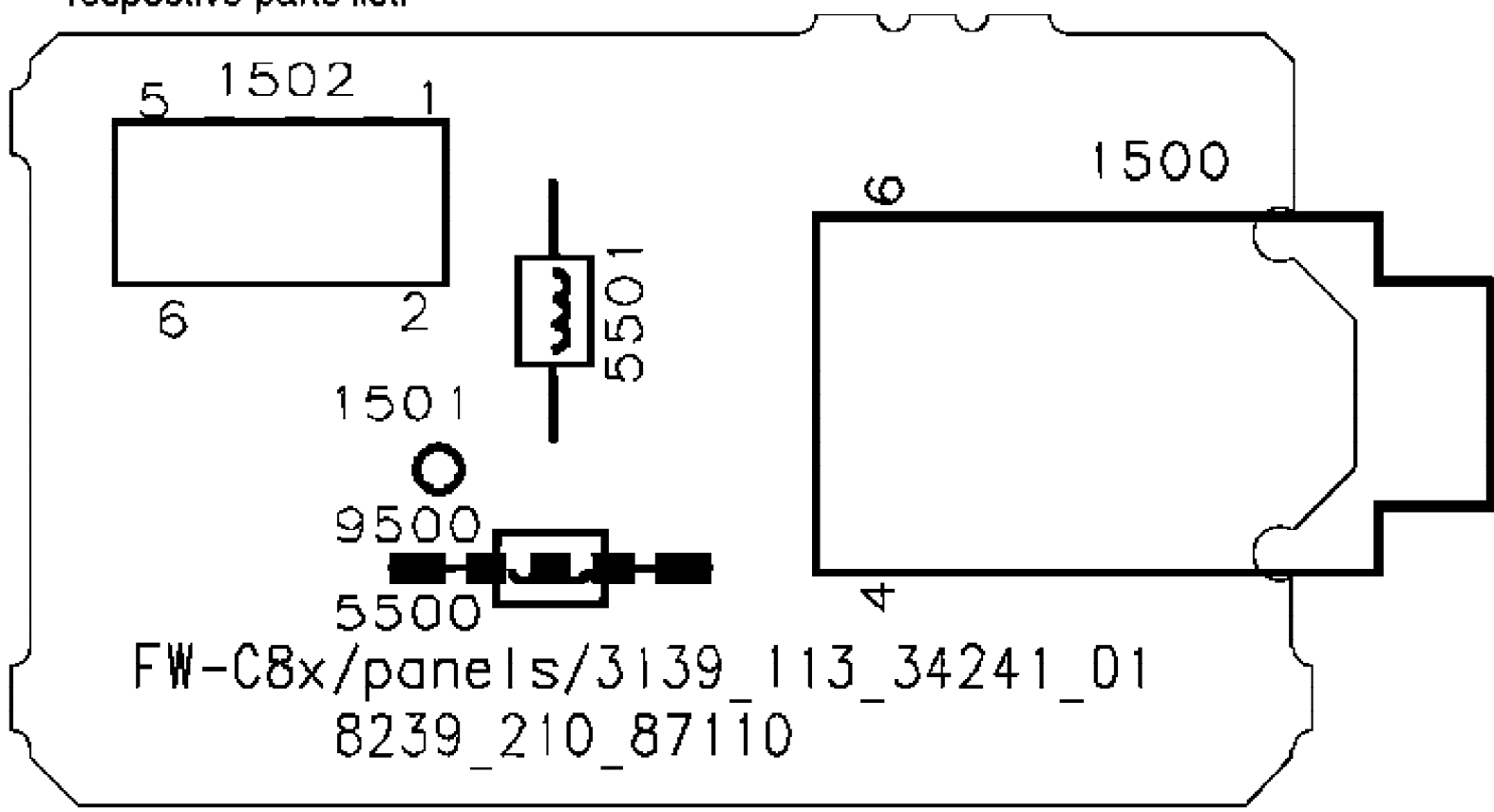
This assembly drawing shows a summary of all possible versions. For components used in a specific version see schematic diagram and respective parts list. 3139 113 3424 pt1 dd wk0009

2200	A7	2230	D10	2253	B4	2273	B8	2297	B5	3223	E4	3243	D8	3264	A7	3284	A6	3304	A5	3325	C4	3351	D3	3378	E2	4211	A2	4241	A4	4261	A7	7209	A6
2201	A7	2231	D10	2254	A5	2274	A8	2298	A9	3224	C10	3244	D7	3265	A7	3285	A6	3305	A5	3326	C5	3352	D3	3379	E2	4212	A2	4242	D4	4262	A8	7210	D7
2202	A7	2232	D9	2255	RR	2275	A9	2299	A10	3225	C10	3245	D8	3266	A7	3286	A5	3306	A5	3327	D3	3353	D3	3380	E2	4213	A2	4243	A3	4263	A8	7211	E5
2204	A7	2234	D9	2256	D5	2276	B10	2300	A10	3226	C10	3246	D7	3267	A7	3287	A5	3307	A5	3328	D3	3354	H9	3381	E2	4214	A2	4244	A4	4264	A8	7212	B4
2205	A7	2235	D9	2257	D6	2277	B10	3200	A7	3227	C10	3247	D7	3268	A7	3288	A5	3308	A5	3329	D3	3355	A10	3382	E2	4215	A2	4245	D2	4265	R8	7213	B5
2206	A7	2236	D9	2258	D6	2278	B10	3201	A7	3228	C10	3248	D7	3269	A7	3289	A5	3309	A5	3330	D3	3356	A10	3383	E2	4216	A2	4246	D2	4266	A0	7214	D5
2208	A7	2237	F5	2259	D4	2280	A3	3202	A8	3229	C10	3249	D7	3270	A7	3290	A5	3310	A5	3331	D3	3357	A10	3384	E2	4217	A2	4247	D2	4267	B5	7215	B4
2209	A7	2238	D8	2260	B5	2281	B8	3204	A8	3230	C10	3250	D7	3271	A7	3291	A5	3311	A5	3332	C10	3358	A10	3385	E2	4218	A2	4248	D2	4268	A9	7216	C7
2210	A8	2239	F5	2261	B4	2282	B8	3205	A8	3231	C10	3251	D7	3272	A7	3292	A5	3312	A5	3333	D2	3359	A10	3386	E2	4219	A2	4249	F2	4269	B10	7217	C7
2211	A8	2240	F5	2262	B4	2283	A8	3206	A11	3232	D9	3252	D7	3273	A7	3293	A5	3313	A4	3334	D2	3360	A10	3387	E2	4220	A2	4250	F2	4270	E9	7218	D4
2213	A8	2241	D8	2263	B10	2284	A3	3207	B11	3233	D9	3253	D9	3274	A7	3294	A5	3314	A5	3335	C10	3361	A10	3388	E2	4221	A2	4251	F2	4271	A9	7219	C7
2216	A7	2242	D8	2264	B10	2285	A3	3208	A3	3234	D9	3254	D9	3275	A6	3295	A5	3315	A5	3336	C10	3362	A10	3389	E2	4222	A2	4252	F2	4272	D10	7220	A6
2217	A8	2243	F5	2265	D2	2286	A3	3209	B11	3235	D9	3255	D9	3276	A6	3296	A5	3316	A4	3337	B4	3363	A10	3390	E2	4223	A2	4253	F2	4273	A1		
2220	A8	2244	F5	2266	D2	2287	A3	3210	B11	3236	C4	3256	D9	3277	A6	3297	A5	3317	A4	3338	B4	3364	A10	3391	E2	4224	A2	4254	F2	4274	D3		
2221	A8	2245	F5	2267	D2	2288	A3	3211	B11	3237	C5	3257	D9	3278	A6	3298	A5	3318	A4	3339	B4	3365	A10	3392	E2	4225	A2	4255	F2	4275	A1		
2225	D10	2247	B5	2268	D9	2289	D4	3212	C3	3238	F8	3258	F8	3279	A6	3299	A4	3320	A4	3340	F3	3366	A10	3393	E2	4226	A2	4256	F2	4276	A7		
2226	C10	2249	B4	2269	C2	2290	DG	3217	C9	3239	F8	3259	F8	3280	A6	3300	A4	3321	B7	3341	F3	3372	C7	3394	E2	4227	A2	4257	D8	4272	A7		
2227	C10	2250	B5	2270	C2	2291	D2	3218	A6	3240	F8	3260	F8	3281	A6	3301	A5	3322	A5	3342	F3	3373	A5	3395	E2	4228	A2	4258	A5	4273	A1		
2228	C10	2251	B5	2271	D2	2292	A6	3219	B10	3241	F8	3261	F8	3282	A6	3302	A4	3323	A4	3343	F3	3374	A5	3396	E2	4229	A2	4259	A5	4274	A1		
2229	C10	2252	B4	2272	D2	2293	A6	3220	C8	3242	D8	3262	F8	3283	A6	3303	A5	3324	B10	3344	F3	3375	D8	3397	E2	4230	A2	4260	A7	4275	A1		



This assembly drawing shows a summary of all possible versions. For components used in a specific version see schematic diagram and respective parts list. 3139 113 3424 pt1 dd wk0009

This assembly drawing shows a summary of all possible versions.
 For components used in a specific version see schematic diagram and
 respective parts list.



2503

2504

5502

2502

2500

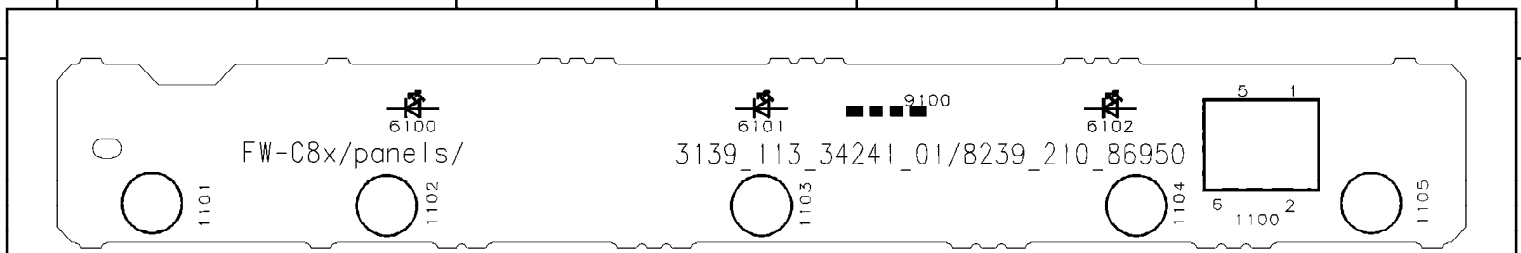
2501

4501

4500

1100 A6 1101 A1 1102 A2 1103 A4 1104 A6 1105 A7 6100 A2 6101 A4 6102 A6 9100 A5

1 2 3 4 5 6 7

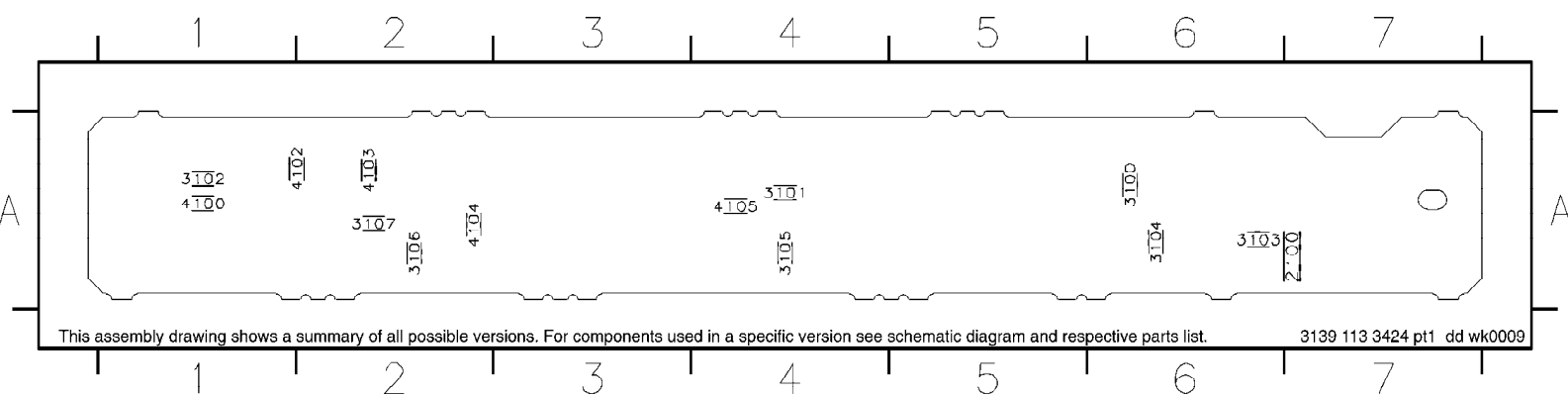


This assembly drawing shows a summary of all possible versions. For components used in a specific version see schematic diagram and respective parts list.

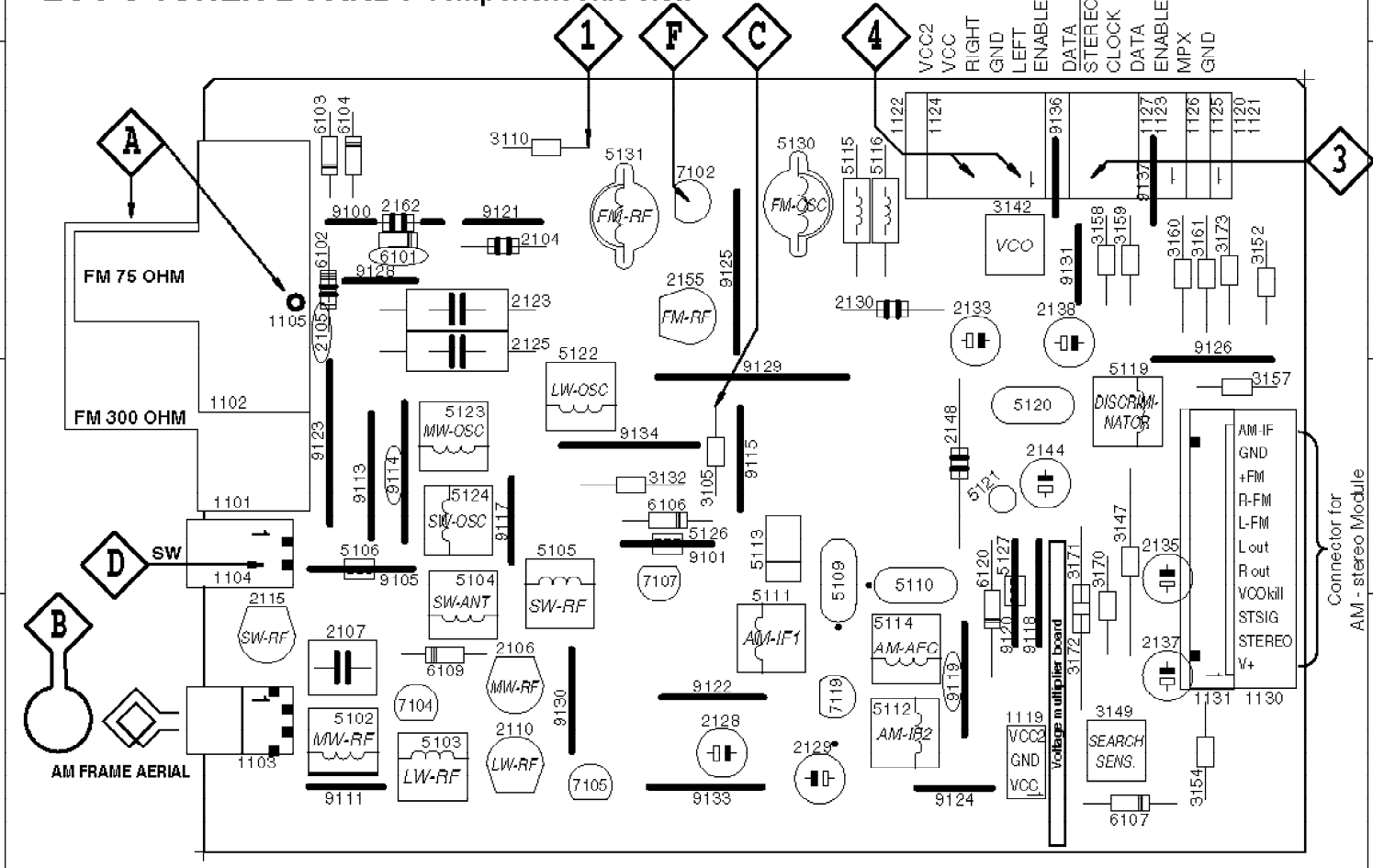
3139 113 3424 pt1 dd wk0009

1 2 3 4 5 6 7

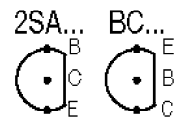
2100 A7 3101 A4 3103 A6 3105 A4 3107 A2 4102 A2 4104 A2
3100 A6 3102 A1 3104 A6 3106 A2 4100 A1 4103 A2 4105 A4



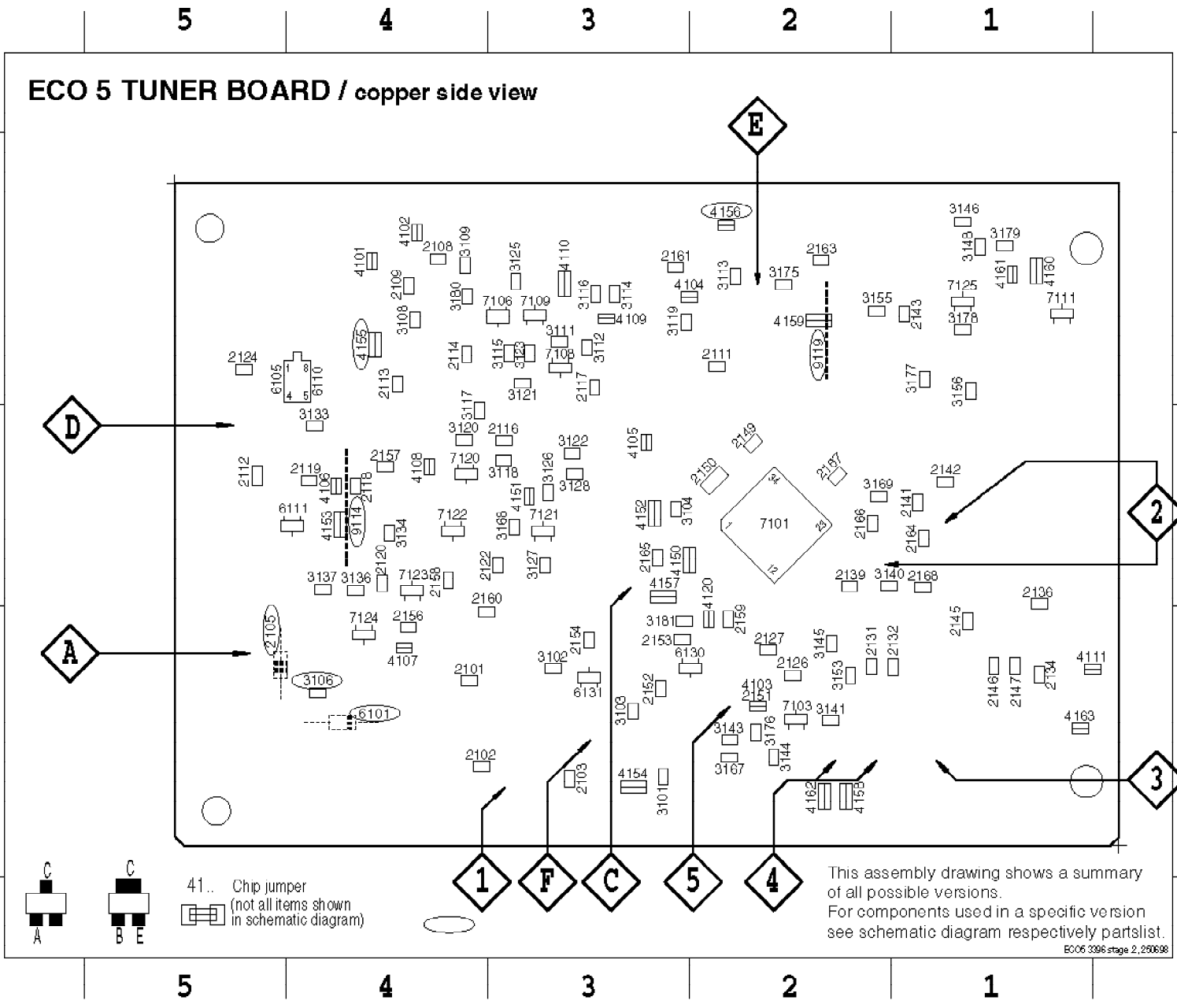
ECO 5 TUNER BOARD / component side view



This assembly drawing shows a summary of all possible versions. For components used in a specific version see schematic diagram respectively partslist.



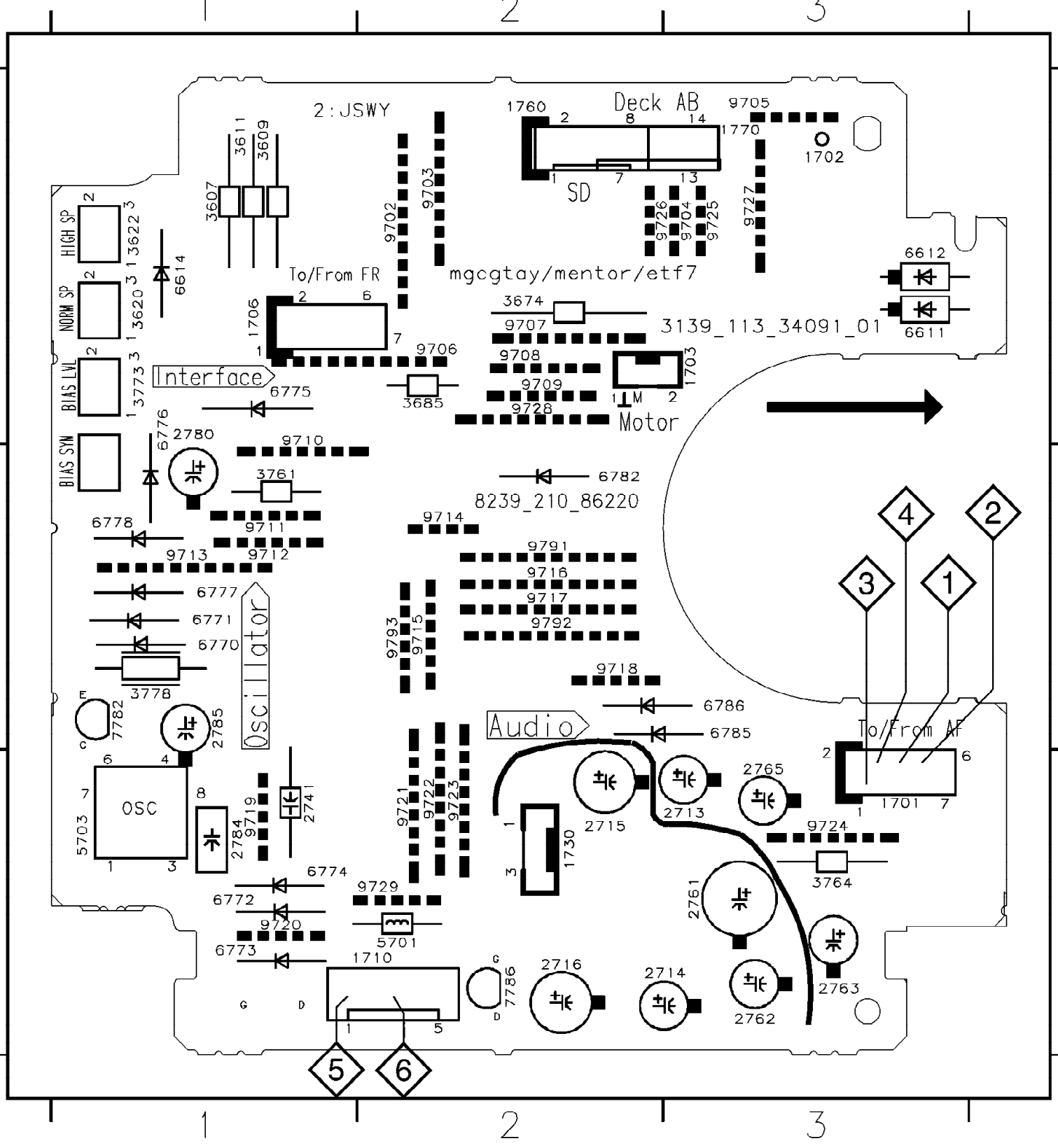
ECO 5 TUNER BOARD / copper side view



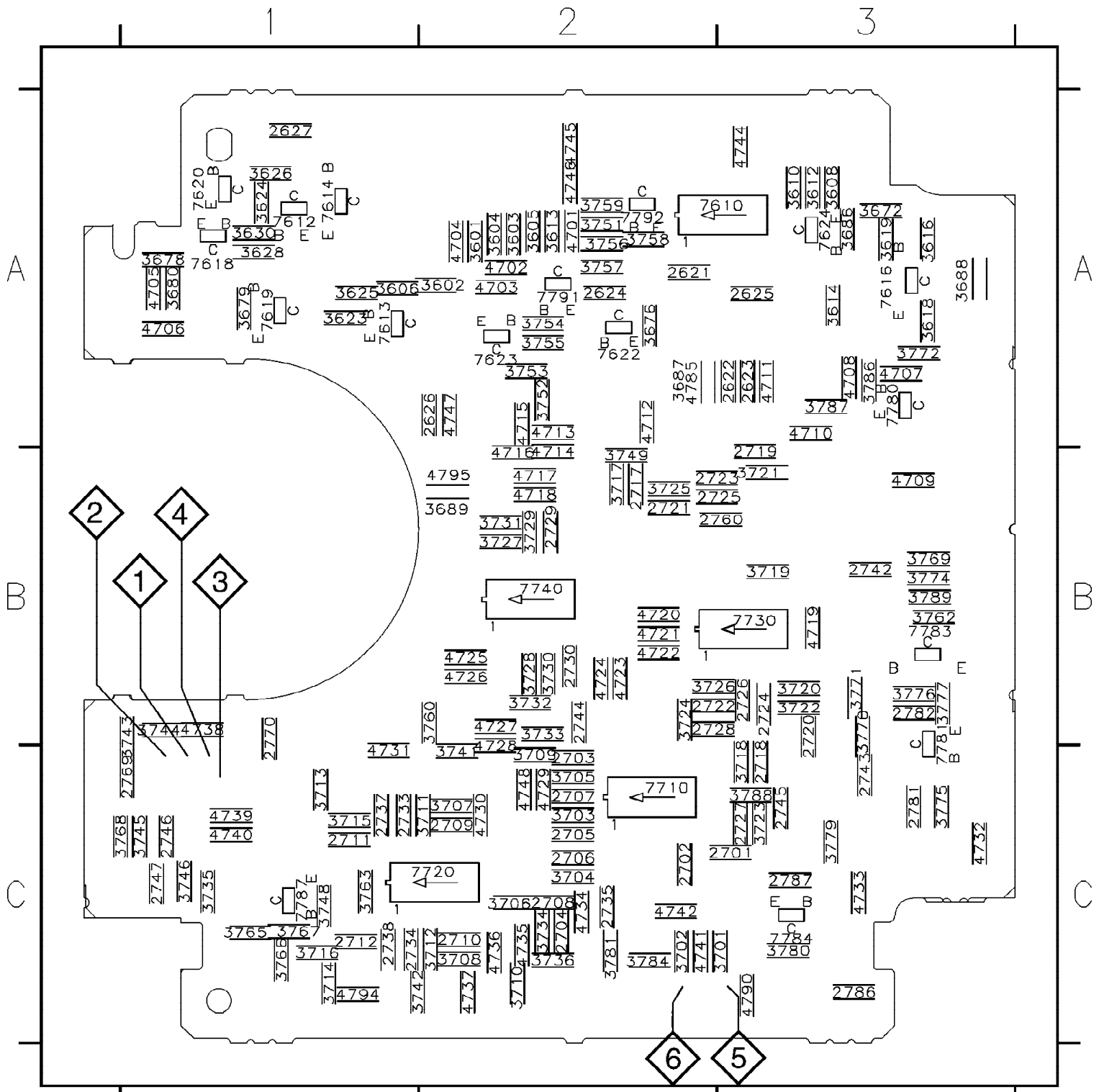
This assembly drawing shows a summary of all possible versions. For components used in a specific version see schematic diagram respectively partslist.

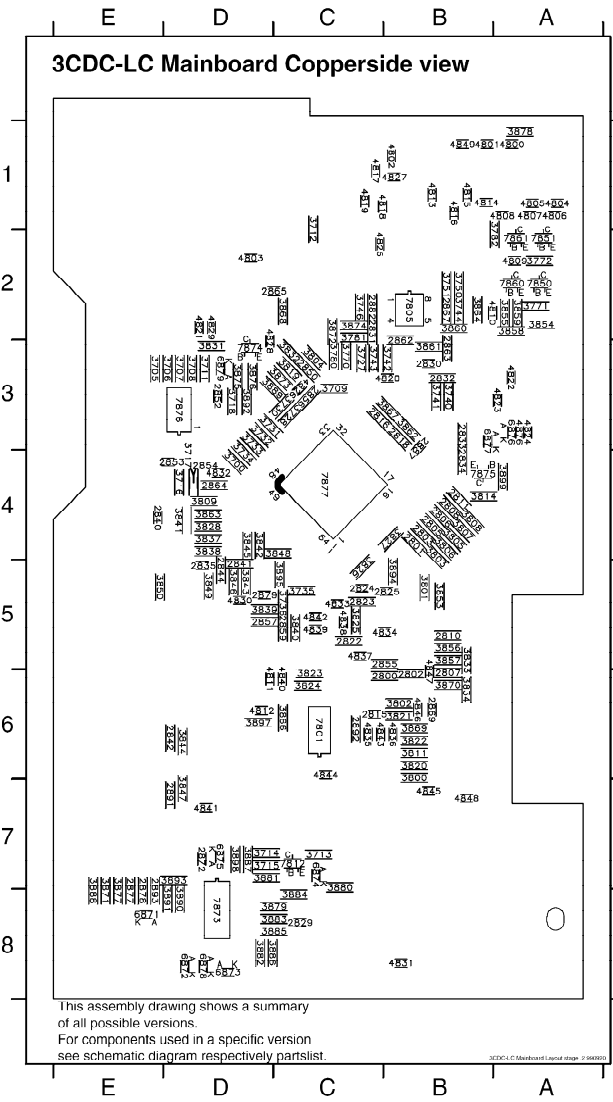
ECO5 3396 stage 2, 250698

1701 C3	2715 C2	3607 A1	3778 B1	6774 C1	9702 A2	9712 B1	9722 C2	9793 B2
1702 A3	2716 C2	3609 A1	5701 C2	6775 A1	9703 A2	9713 B1	9723 C2	
1703 A3	2741 C1	3611 A1	5703 C1	6776 A1	9704 A3	9714 B2	9724 C3	
1706 A1	2761 C3	3620 A1	6611 A3	6777 B1	9705 A3	9715 B2	9725 A3	
1710 C2	2762 C3	3622 A1	6612 A3	6778 B1	9706 A2	9716 B2	9726 A2	
1730 C2	2763 C3	3674 A2	6614 A1	6782 B2	9707 A2	9717 B2	9727 A3	
1760 A2	2765 C3	3685 A2	6770 B1	6785 B3	9708 A2	9718 B2	9728 A2	
1770 A3	2780 A1	3761 B1	6771 B1	6786 B3	9709 A2	9719 C1	9729 C2	
2713 C3	2784 C1	3764 C3	6772 C1	7782 B1	9710 A1	9720 C1	9791 B2	
2714 C3	2785 B1	3773 A1	6773 C1	7786 C2	9711 B1	9721 C2	9792 B2	



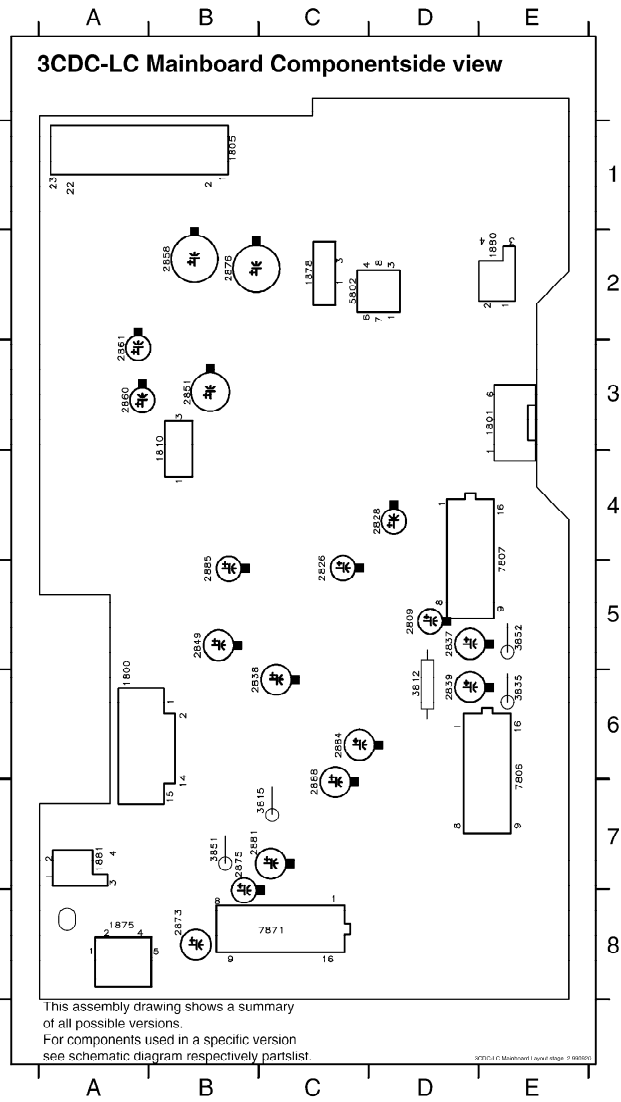
2621	A2	2724	B3	3602	A2	3688	A3	3725	B2	3757	A2	4701	A2	4727	B2	7612	A1
2622	A3	2725	B3	3603	A2	3689	B2	3726	B2	3758	A2	4702	A2	4728	C2	7613	A1
2623	A3	2726	B3	3604	A2	3701	C3	3727	B2	3759	A2	4703	A2	4729	C2	7614	A1
2624	A2	2727	C3	3605	A2	3702	C2	3728	B2	3760	B2	4704	A2	4730	C2	7616	A3
2625	A3	2728	B2	3606	A1	3703	C2	3729	B2	3762	B3	4705	A1	4731	C1	7618	A1
2626	A2	2729	B2	3608	A3	3704	C2	3730	B2	3763	C1	4706	A1	4732	C3	7619	A1
2627	A1	2730	B2	3610	A3	3705	C2	3731	B2	3765	C1	4707	A3	4733	C3	7620	A1
2701	C3	2733	C1	3612	A3	3706	C2	3732	B2	3766	C1	4708	A3	4734	C2	7622	A2
2702	C2	2734	C1	3613	A2	3707	C2	3733	B2	3767	C1	4709	B3	4735	C2	7623	A2
2703	C2	2735	C2	3614	A3	3708	C2	3734	C2	3768	C1	4710	A3	4736	C2	7624	A3
2704	C2	2737	C1	3616	A3	3709	C2	3735	C1	3769	B3	4711	A3	4737	C2	7710	C2
2705	C2	2738	C1	3618	A3	3710	C2	3736	C2	3770	B3	4712	A2	4738	B1	7720	C2
2706	C2	2742	B3	3619	A3	3711	C2	3741	C2	3771	B3	4713	A2	4739	C1	7730	B3
2707	C2	2743	C3	3623	A1	3712	C2	3742	C1	3772	A3	4714	B2	4740	C1	7740	B2
2708	C2	2744	B2	3624	A1	3713	C1	3743	B1	3774	B3	4715	A2	4741	C2	7780	A3
2709	C2	2745	C3	3625	A1	3714	C1	3744	B1	3775	C3	4716	B2	4742	C2	7781	B3
2710	C2	2746	C1	3626	A1	3715	C1	3745	C1	3776	B3	4717	B2	4744	A3	7783	B3
2711	C1	2747	C1	3628	A1	3716	C1	3746	C1	3777	B3	4718	B2	4745	A2	7784	C3
2712	C1	2760	B3	3630	A1	3717	B2	3748	C1	3779	C3	4719	B3	4746	A2	7787	C1
2717	B2	2769	C1	3672	A3	3718	C3	3749	B2	3780	C3	4720	B2	4747	A2	7791	A2
2718	C3	2770	B1	3676	A2	3719	B3	3751	A2	3781	C2	4721	B2	4748	C2	7792	A2
2719	B3	2781	C3	3678	A1	3720	B3	3752	A2	3784	C2	4722	B2	4785	A2		
2720	B3	2782	B3	3679	A1	3721	B3	3753	A2	3786	A3	4723	B2	4790	C3		
2721	B2	2786	C3	3680	A1	3722	B3	3754	A2	3787	A3	4724	B2	4794	C1		
2722	B2	2787	C3	3686	A3	3723	C3	3755	A2	3788	C3	4725	B2	4795	B2		
2723	B2	3601	A2	3687	A2	3724	B2	3756	A2	3789	B3	4726	B2	7610	A3		





Mapping

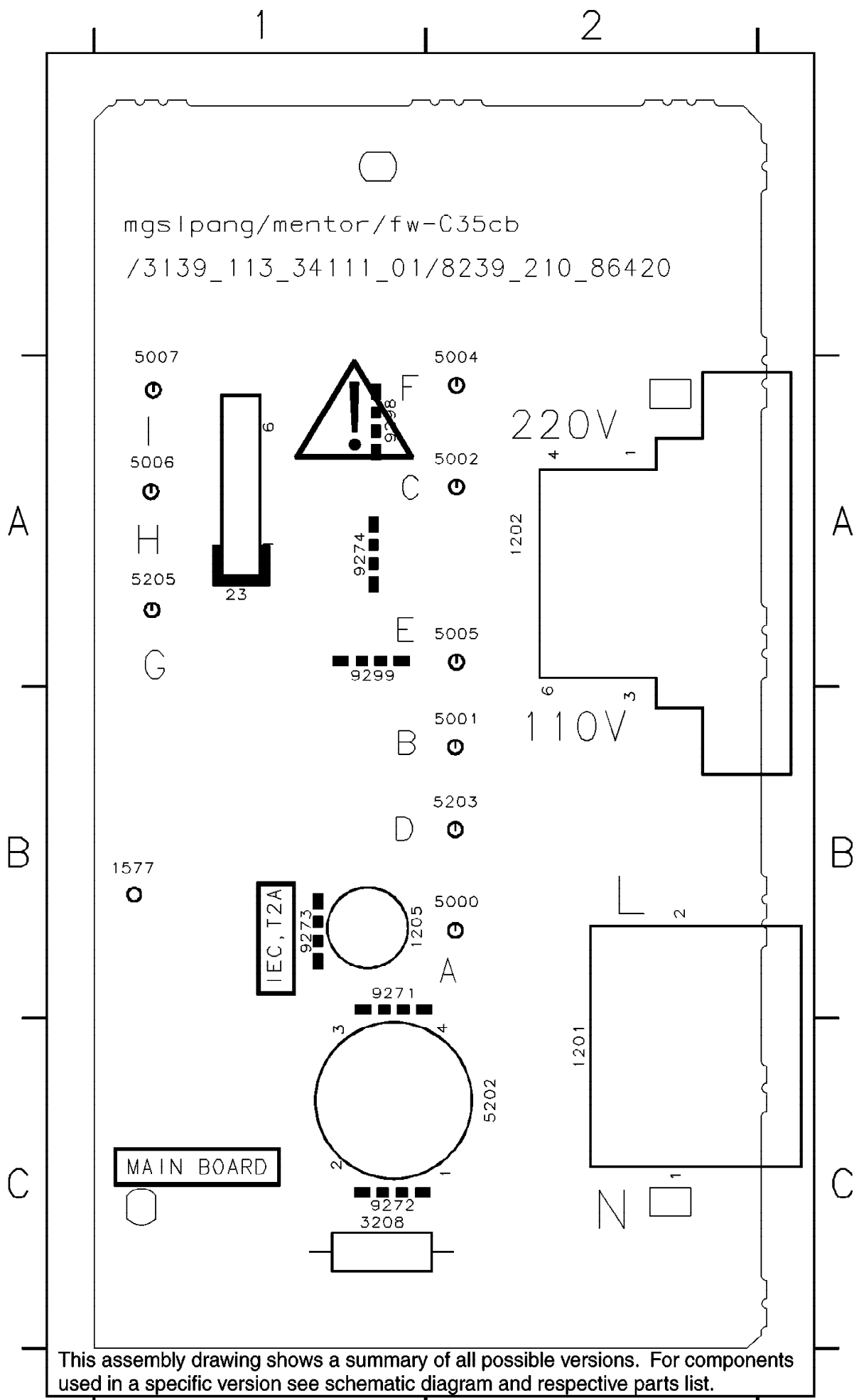
Component	Part No.	Ref	Component	Part No.	Ref		
Copperside	3751	B2	3889	D3	Componentside		
2800	B6	3770	C3	3890	D8	1800	A6
2801	B4	3771	A2	3891	D8	1801	E3
2802	B6	3772	A2	3892	D3	1805	B1
2803	B4	3780	C3	3893	D7	1810	B3
2805	B4	3781	C2	3894	R5	1875	A8
2806	B4	3782	A2	3895	C5	1878	C2
2807	B6	3800	B6	3897	D6	1880	E2
2808	B4	3801	B5	3898	D7	1881	A7
2810	D5	3802	D6	3899	A4	2809	D5
2811	B4	3803	B4	4800	A1	2826	C5
2815	C6	3804	C3	4801	B1	2828	D4
2816	C3	3805	B4	4802	B1	2837	D5
2818	B3	3806	B4	4803	D2	2838	C6
2822	C5	3807	B4	4804	A1	2839	D6
2824	C5	3809	D4	4806	A1	2849	R5
2825	B5	3811	B6	4807	A1	2851	B3
2829	C8	3814	B4	4808	A1	2858	B2
2830	D3	3819	C3	4809	A2	2860	A3
2831	C2	3820	B6	4810	B2	2863	B8
2832	B3	3821	B6	4811	D6	2875	B7
2833	B3	3822	B6	4812	D6	2876	B2
2834	B4	3823	C6	4813	B1	2881	C7
2835	D5	3824	C6	4814	B1	2884	C6
2840	E4	3825	C5	4815	B1	2885	B5
2841	D5	3826	C5	4816	B1	2888	C7
2842	D6	3827	B4	4817	C1	3812	D6
2844	D5	3828	D4	4818	C1	3815	C7
2850	C3	3831	D3	4819	C1	3835	E6
2852	D3	3832	C3	4820	B3	3851	B7
2853	D4	3833	B5	4821	D2	3852	E5
2854	D4	3834	B6	4822	A3	5802	D2
2855	B5	3837	D4	4823	A3	7806	E6
2856	C3	3838	D4	4824	A3	7807	E5
2857	D5	3839	D5	4825	C2	7871	C8
2859	C5	3840	C5	4826	C3		
2862	B3	3841	D4	4827	B1		
2863	B3	3842	D4	4828	D3		
2864	D4	3843	D5	4829	D2		
2865	C2	3844	D6	4830	D5		
2867	B2	3845	D4	4831	B8		
2869	B6	3846	D5	4832	D4		
2872	D7	3847	D7	4833	C5		
2877	E8	3848	C4	4834	B5		
2878	E8	3849	D5	4835	C6		
2879	D5	3850	E5	4836	B6		
2882	C2	3853	B5	4837	C5		
2887	R3	3854	A2	4838	C5		
2891	D7	3855	A2	4839	C5		
2892	C6	3856	B5	4840	C6		
2893	E8	3857	B5	4841	D7		
3700	D4	3858	A2	4842	C5		
3705	E3	3859	A2	4843	C6		
3706	D3	3860	B2	4844	C6		
3707	D3	3861	B3	4845	B7		
3708	D3	3862	B3	4846	B6		
3709	C3	3863	D4	4847	D6		
3711	D3	3864	B2	4848	B7		
3712	C1	3866	C6	4849	B1		
3713	C7	3867	B3	4876	A3		
3714	D7	3868	C2	6871	E8		
3715	D7	3869	B6	6872	D8		
3716	D4	3870	B6	6873	D8		
3717	D4	3871	E6	6874	C7		
3718	D3	3872	C2	6875	D7		
3727	C3	3873	C3	6876	A3		
3728	C3	3874	C2	6877	B3		
3730	C3	3875	D3	6878	D8		
3731	D3	3876	D3	6879	D3		
3732	D3	3877	E8	7801	C6		
3733	D3	3878	A1	7805	B2		
3734	D4	3879	C6	7812	C7		
3735	C5	3880	C7	7850	A2		
3736	C5	3881	D7	7851	A2		
3740	B3	3882	D8	7860	A2		
3741	B3	3883	C8	7861	A2		
3742	B3	3884	C8	7873	D8		
3743	C3	3885	C8	7874	D3		
3744	B2	3886	D8	7875	B4		
3746	C2	3887	D7	7876	D3		
3750	B2	3888	ER	7877	C4		



3CDC-LC Mainboard Component side 2/1999001

3CDC-LC Mainboard Component side 2/1999001

23	A1	1577	B1	5002	A2	5007	A1	9271	B1	9298	A1
1201	C2	3208	C1	5004	A2	5202	C2	9272	C1	9299	A1
1202	A2	5000	B2	5005	A2	5203	B2	9273	B1		
1205	B1	5001	B2	5006	A1	5205	A1	9274	A1		

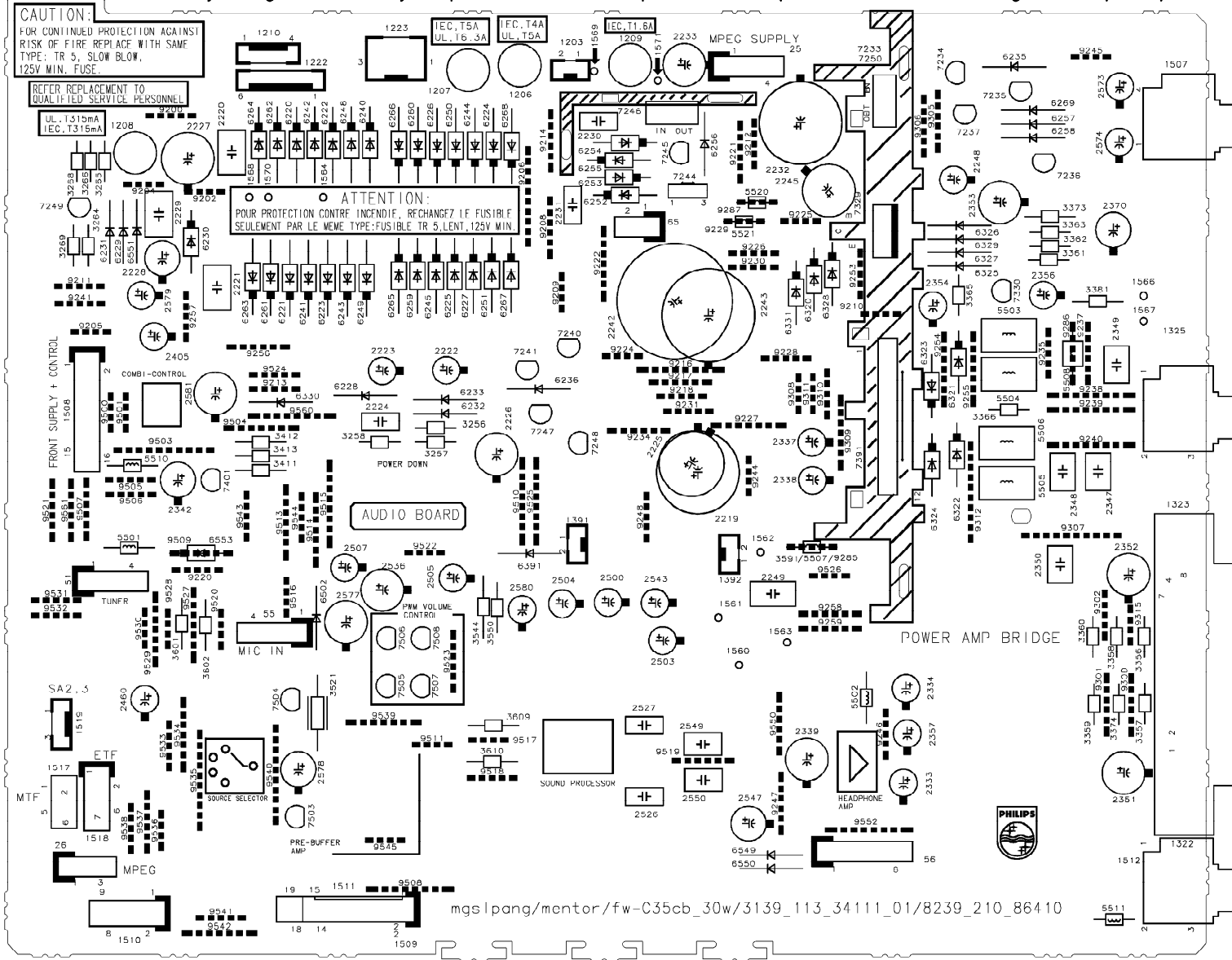


This assembly drawing shows a summary of all possible versions. For components used in a specific version see schematic diagram and respective parts list.

CAUTION:
FOR CONTINUED PROTECTION AGAINST
RISK OF FIRE REPLACE WITH SAME
TYPE: TR 5, SLOW BLOW,
125V MIN. FUSE.

REFER REPLACEMENT TO
QUALIFIED SERVICE PERSONNEL

ATTENTION:
POUR PROTECTION CONTRE INCENDIE, RECHANGEZ LE FUSIBLE
SEULEMENT PAR LE MEME TYPE: FUSIBLE TR 5 LENT, 125V MIN.

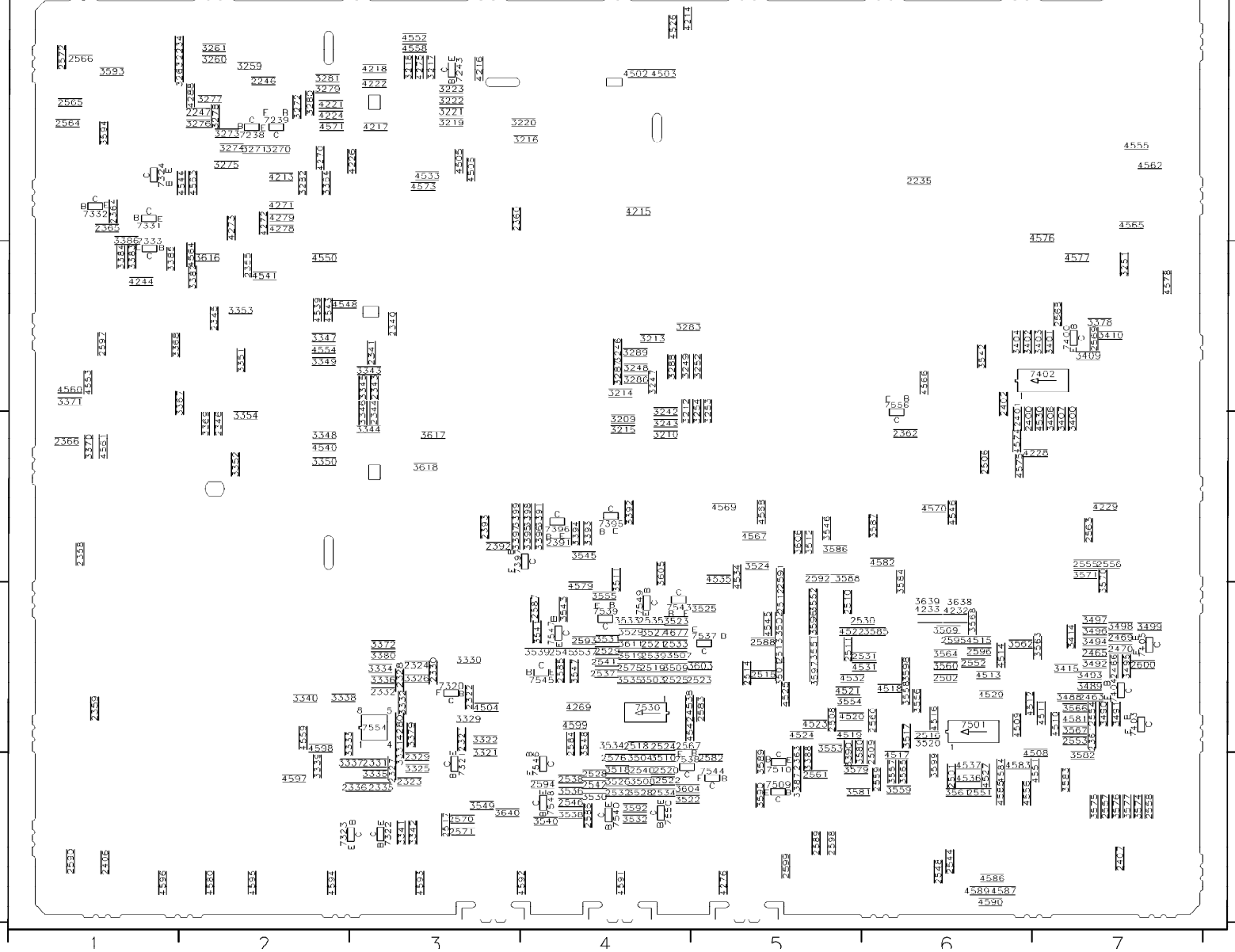


mgsIpang/mentor/fw-C35cb_30w/3139_113_34111_01/8239_210_86410

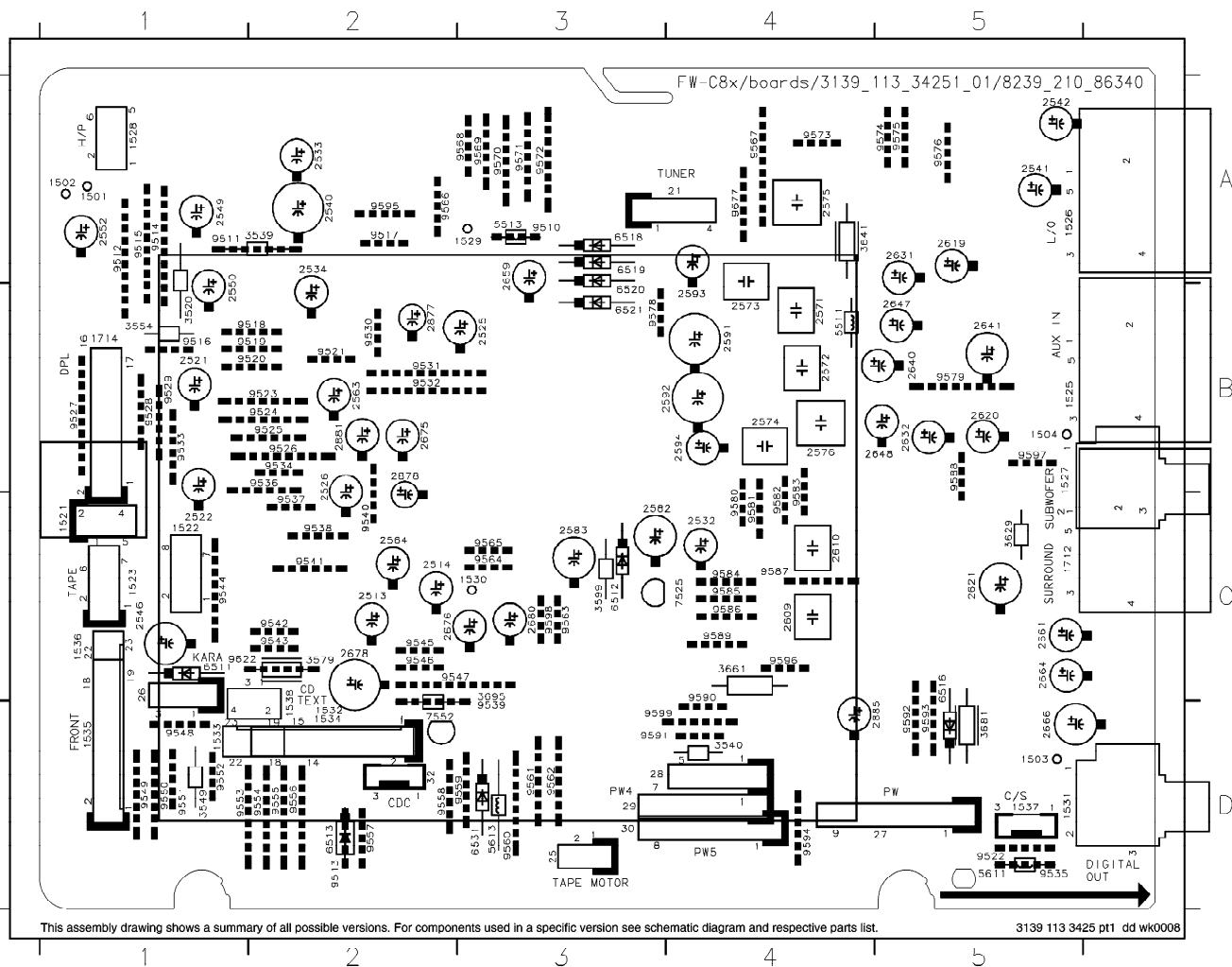
Parts list table with columns for component type and part number. Includes entries for fuses (UL, T5A, T5A), resistors (e.g., 3269, 3270, 3271, 3272, 3273, 3274, 3275, 3276, 3277, 3278, 3279, 3280, 3281, 3282, 3283, 3284, 3285, 3286, 3287, 3288, 3289, 3290, 3291, 3292, 3293, 3294, 3295, 3296, 3297, 3298, 3299, 3300, 3301, 3302, 3303, 3304, 3305, 3306, 3307, 3308, 3309, 3310, 3311, 3312, 3313, 3314, 3315, 3316, 3317, 3318, 3319, 3320, 3321, 3322, 3323, 3324, 3325, 3326, 3327, 3328, 3329, 3330, 3331, 3332, 3333, 3334, 3335, 3336, 3337, 3338, 3339, 3340, 3341, 3342, 3343, 3344, 3345, 3346, 3347, 3348, 3349, 3350, 3351, 3352, 3353, 3354, 3355, 3356, 3357, 3358, 3359, 3360, 3361, 3362, 3363, 3364, 3365, 3366, 3367, 3368, 3369, 3370, 3371, 3372, 3373, 3374, 3375, 3376, 3377, 3378, 3379, 3380, 3381, 3382, 3383, 3384, 3385, 3386, 3387, 3388, 3389, 3390, 3391, 3392, 3393, 3394, 3395, 3396, 3397, 3398, 3399, 3400, 3401, 3402, 3403, 3404, 3405, 3406, 3407, 3408, 3409, 3410, 3411, 3412, 3413, 3414, 3415, 3416, 3417, 3418, 3419, 3420, 3421, 3422, 3423, 3424, 3425, 3426, 3427, 3428, 3429, 3430, 3431, 3432, 3433, 3434, 3435, 3436, 3437, 3438, 3439, 3440, 3441, 3442, 3443, 3444, 3445, 3446, 3447, 3448, 3449, 3450, 3451, 3452, 3453, 3454, 3455, 3456, 3457, 3458, 3459, 3460, 3461, 3462, 3463, 3464, 3465, 3466, 3467, 3468, 3469, 3470, 3471, 3472, 3473, 3474, 3475, 3476, 3477, 3478, 3479, 3480, 3481, 3482, 3483, 3484, 3485, 3486, 3487, 3488, 3489, 3490, 3491, 3492, 3493, 3494, 3495, 3496, 3497, 3498, 3499, 3500, 3501, 3502, 3503, 3504, 3505, 3506, 3507, 3508, 3509, 3510, 3511, 3512, 3513, 3514, 3515, 3516, 3517, 3518, 3519, 3520, 3521, 3522, 3523, 3524, 3525, 3526, 3527, 3528, 3529, 3530, 3531, 3532, 3533, 3534, 3535, 3536, 3537, 3538, 3539, 3540, 3541, 3542, 3543, 3544, 3545, 3546, 3547, 3548, 3549, 3550, 3551, 3552, 3553, 3554, 3555, 3556, 3557, 3558, 3559, 3560, 3561, 3562, 3563, 3564, 3565, 3566, 3567, 3568, 3569, 3570, 3571, 3572, 3573, 3574, 3575, 3576, 3577, 3578, 3579, 3580, 3581, 3582, 3583, 3584, 3585, 3586, 3587, 3588, 3589, 3590, 3591, 3592, 3593, 3594, 3595, 3596, 3597, 3598, 3599, 3600, 3601, 3602, 3603, 3604, 3605, 3606, 3607, 3608, 3609, 3610, 3611, 3612, 3613, 3614, 3615, 3616, 3617, 3618, 3619, 3620, 3621, 3622, 3623, 3624, 3625, 3626, 3627, 3628, 3629, 3630, 3631, 3632, 3633, 3634, 3635, 3636, 3637, 3638, 3639, 3640, 3641, 3642, 3643, 3644, 3645, 3646, 3647, 3648, 3649, 3650, 3651, 3652, 3653, 3654, 3655, 3656, 3657, 3658, 3659, 3660, 3661, 3662, 3663, 3664, 3665, 3666, 3667, 3668, 3669, 3670, 3671, 3672, 3673, 3674, 3675, 3676, 3677, 3678, 3679, 3680, 3681, 3682, 3683, 3684, 3685, 3686, 3687, 3688, 3689, 3690, 3691, 3692, 3693, 3694, 3695, 3696, 3697, 3698, 3699, 3700, 3701, 3702, 3703, 3704, 3705, 3706, 3707, 3708, 3709, 3710, 3711, 3712, 3713, 3714, 3715, 3716, 3717, 3718, 3719, 3720, 3721, 3722, 3723, 3724, 3725, 3726, 3727, 3728, 3729, 3730, 3731, 3732, 3733, 3734, 3735, 3736, 3737, 3738, 3739, 3740, 3741, 3742, 3743, 3744, 3745, 3746, 3747, 3748, 3749, 3750, 3751, 3752, 3753, 3754, 3755, 3756, 3757, 3758, 3759, 3760, 3761, 3762, 3763, 3764, 3765, 3766, 3767, 3768, 3769, 3770, 3771, 3772, 3773, 3774, 3775, 3776, 3777, 3778, 3779, 3780, 3781, 3782, 3783, 3784, 3785, 3786, 3787, 3788, 3789, 3790, 3791, 3792, 3793, 3794, 3795, 3796, 3797, 3798, 3799, 3800, 3801, 3802, 3803, 3804, 3805, 3806, 3807, 3808, 3809, 3810, 3811, 3812, 3813, 3814, 3815, 3816, 3817, 3818, 3819, 3820, 3821, 3822, 3823, 3824, 3825, 3826, 3827, 3828, 3829, 3830, 3831, 3832, 3833, 3834, 3835, 3836, 3837, 3838, 3839, 3840, 3841, 3842, 3843, 3844, 3845, 3846, 3847, 3848, 3849, 3850, 3851, 3852, 3853, 3854, 3855, 3856, 3857, 3858, 3859, 3860, 3861, 3862, 3863, 3864, 3865, 3866, 3867, 3868, 3869, 3870, 3871, 3872, 3873, 3874, 3875, 3876, 3877, 3878, 3879, 3880, 3881, 3882, 3883, 3884, 3885, 3886, 3887, 3888, 3889, 3890, 3891, 3892, 3893, 3894, 3895, 3896, 3897, 3898, 3899, 3900, 3901, 3902, 3903, 3904, 3905, 3906, 3907, 3908, 3909, 3910, 3911, 3912, 3913, 3914, 3915, 3916, 3917, 3918, 3919, 3920, 3921, 3922, 3923, 3924, 3925, 3926, 3927, 3928, 3929, 3930, 3931, 3932, 3933, 3934, 3935, 3936, 3937, 3938, 3939, 3940, 3941, 3942, 3943, 3944, 3945, 3946, 3947, 3948, 3949, 3950, 3951, 3952, 3953, 3954, 3955, 3956, 3957, 3958, 3959, 3960, 3961, 3962, 3963, 3964, 3965, 3966, 3967, 3968, 3969, 3970, 3971, 3972, 3973, 3974, 3975, 3976, 3977, 3978, 3979, 3980, 3981, 3982, 3983, 3984, 3985, 3986, 3987, 3988, 3989, 3990, 3991, 3992, 3993, 3994, 3995, 3996, 3997, 3998, 3999, 4000.

1
 2
 3
 4
 5
 6
 7

This assembly drawing shows a summary of all possible versions. For components used in a specific version see schematic diagram and respective parts list.

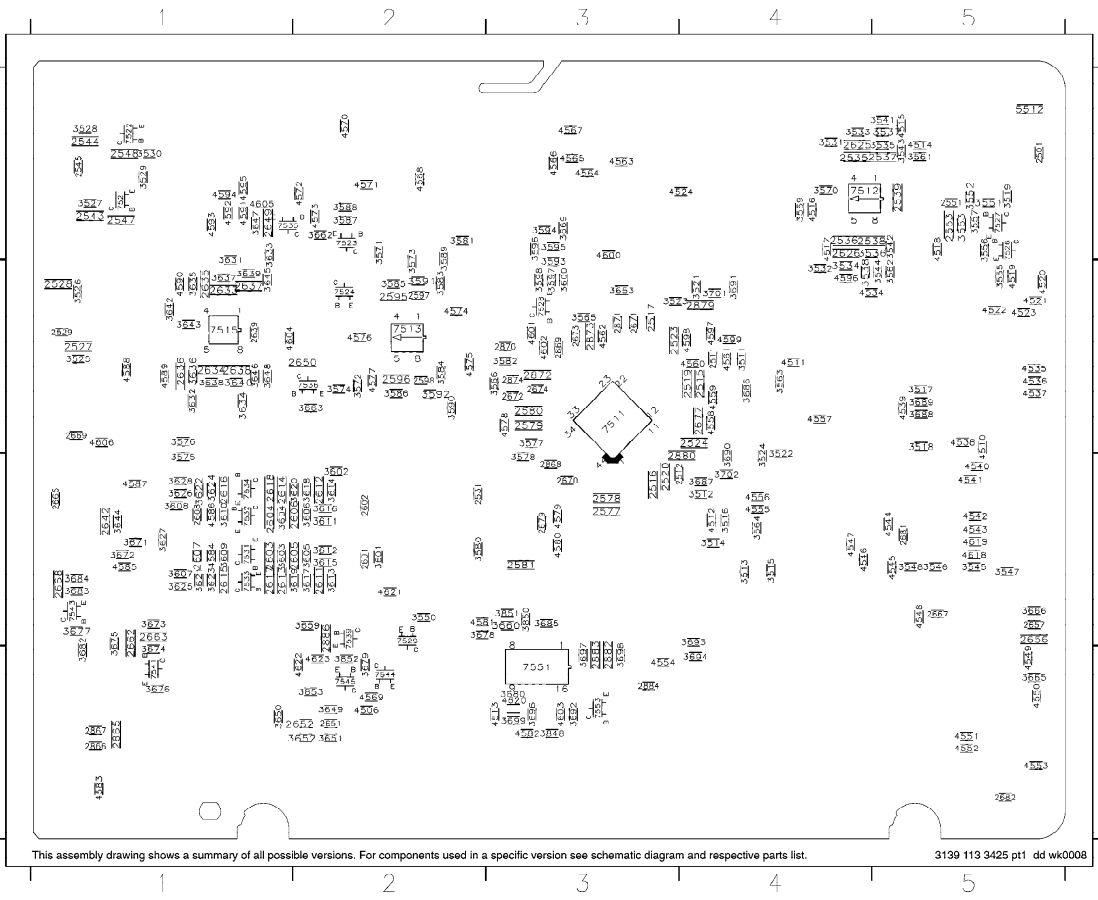


1
 2
 3
 4
 5
 6
 7



This assembly drawing shows a summary of all possible versions. For components used in a specific version see schematic diagram and respective parts list.

21	A4	2641	B5	9537	C2
25	D3	2647	B5	9538	C2
26	C1	2648	B5	9539	D3
27	D5	2659	A3	9540	C2
28	D3	2661	C5	9541	C2
29	D3	2664	C5	9542	C2
30	D3	2666	D5	9543	C2
32	D2	2675	B2	9544	C1
1501	A1	2676	C2	9545	C2
1502	A1	2678	C2	9546	C2
1503	D5	2680	C3	9547	C2
1504	B5	2677	B2	9548	D1
1521	C1	2681	B2	9549	D1
1522	C1	2681	B2	9550	D1
1523	C1	2685	D5	9551	D1
1525	B5	3520	B1	9552	D1
1526	A5	3539	A2	9553	D1
1527	B5	3540	D4	9554	D2
1528	A1	3549	D1	9555	D2
1529	A5	3594	B1	9556	D2
1530	C5	3579	C2	9557	D2
1531	D5	3599	C3	9558	D2
1532	D2	3629	C5	9559	D3
1533	D1	3041	A4	9560	D3
1534	D2	3661	C4	9561	D3
1535	U1	5681	U5	9562	U3
1536	C1	3695	C3	9563	C3
1537	D5	5511	B4	9564	C3
1538	D5	5513	A3	9565	C3
1712	C5	5611	D5	9568	A2
1714	B1	5613	D3	9567	A4
2513	C2	6511	C1	9568	A3
2514	C2	6512	C3	9569	A3
2521	B1	6513	D2	9570	A3
2522	C1	6516	C5	9571	A3
2525	B3	6518	A3	9572	A3
2526	B2	6519	A3	9573	A4
2532	C1	6520	B3	9574	A5
2534	A2	6521	B3	9575	A5
2534	A2	6531	D3	9576	A5
2540	A2	7525	C4	9578	B3
2541	A5	7552	D2	9579	B5
2542	A5	9510	A3	9580	C4
2546	C1	9511	A1	9581	C4
2549	A1	9512	A1	9582	C4
2550	B1	9513	D2	9583	C4
2552	A1	9514	A1	9584	C4
2563	D2	9515	A1	9585	C4
2564	C2	9516	B1	9586	C4
2571	B4	9517	A2	9587	C4
2572	B4	9518	B2	9588	B5
2573	B4	9519	B2	9589	C4
2574	A4	9520	H2	9590	C4
2575	A4	9521	B2	9591	D3
2576	B4	9522	D5	9592	D5
2582	C3	9523	B2	9593	D5
2583	C3	9524	B2	9594	D4
2591	B4	9525	B2	9595	A2
2592	B3	9526	B2	9596	C4
2593	R4	9527	R1	9597	R5
2594	B4	9528	B1	9598	C3
2609	C4	9529	B1	9599	C3
2610	C4	9530	B2	9622	C1
2619	A5	9531	B2	9677	A4
2620	B5	9532	B2		
2621	C5	9533	B1		
2631	A5	9534	R2		
2632	B5	9535	D5		
2640	B5	9536	B2		



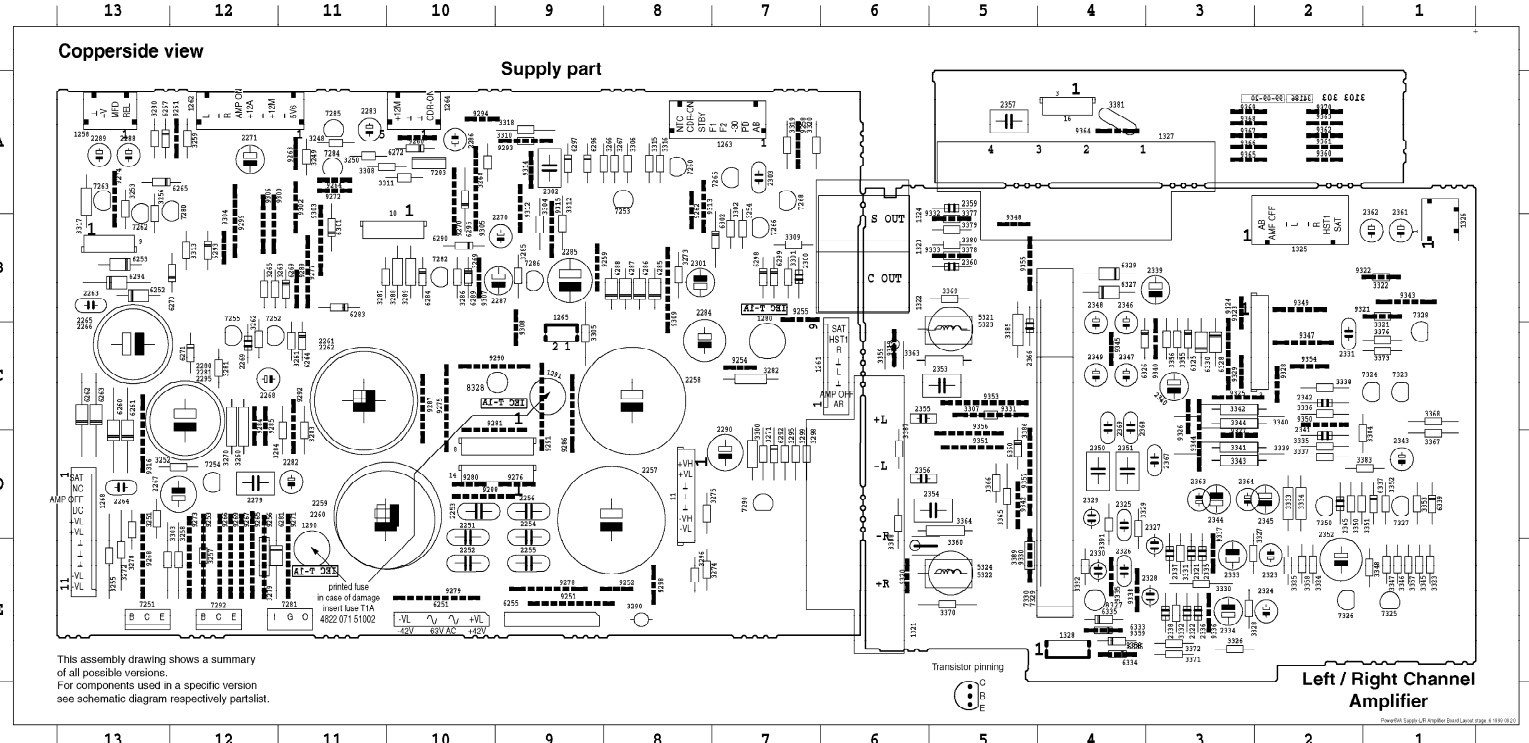
2501	A5	2665	C1	3556	A5	3634	B1	4518	A5	4596	B4
2511	B4	2667	C5	3557	A5	3635	B1	4519	B5	4597	B4
2512	C3	2668	C1	3561	A5	3636	B1	4520	B5	4598	B4
2515	B4	2669	B1	3562	B5	3637	B1	4521	B5	4599	B4
2516	C3	2670	C3	3563	B4	3638	B1	4522	B5	4600	A3
2517	B3	2671	B3	3564	C4	3639	B1	4523	B5	4601	B3
2519	B4	2672	B3	3565	B3	3640	B1	4524	A4	4602	B3
2520	C3	2673	B3	3566	B3	3642	B1	4534	B4	4603	D3
2523	B3	2674	B3	3569	A4	3643	B1	4535	B5	4604	B1
2524	B4	2677	B4	3570	A4	3644	C1	4536	B5	4605	A1
2527	B1	2679	C3	3571	A2	3645	B1	4537	B5	4606	B1
2528	B1	2681	C5	3572	B2	3646	B1	4538	B5	4616	C5
2529	B1	2682	D5	3573	B2	3647	A1	4539	B5	4619	C5
2531	C2	2685	D1	3574	B2	3648	B1	4540	C5	4620	D3
2535	A4	2686	D1	3575	C1	3649	D2	4541	C2	4621	C2
2536	A4	2687	D1	3576	B1	3650	D1	4542	C5	4622	D2
2537	A5	2688	C3	3577	B3	3651	D2	4543	C5	4623	D2
2538	A4	2689	B3	3578	C3	3652	D2	4544	C5	5912	A5
2539	A5	2670	B3	3580	C2	3653	B3	4545	C5	7511	B3
2543	A1	2671	B3	3581	A2	3655	C2	4546	C4	7512	A4
2544	A1	2672	B3	3582	B3	3660	C3	4547	C4	7513	B2
2545	A1	2673	B3	3583	B2	3662	A2	4548	C5	7515	B1
2547	A1	2674	B3	3584	B2	3663	B2	4549	D5	7521	A1
2548	A1	2679	B4	3585	D5	3665	D5	4550	D5	7522	A1
2551	A5	2680	C4	3586	B2	3668	C5	4551	D5	7523	A2
2553	A5	2682	D3	3587	A2	3669	A3	4552	D5	7524	D2
2557	C3	2683	D3	3588	A2	3671	C1	4553	D5	7526	A5
2578	C3	2684	D5	3589	A2	3672	C1	4554	D5	7527	A5
2579	B3	2686	C2	3590	B2	3675	C1	4555	C4	7528	B3
2580	B3	3511	D4	3591	D2	3674	D1	4556	C4	7529	C2
2581	C3	3512	C4	3592	B2	3675	C1	4557	B4	7531	B1
2595	B2	3513	C4	3593	D3	3676	D1	4558	B4	7532	C1
2596	B2	3514	C4	3594	A5	3677	C1	4559	B4	7535	C1
2597	B2	3515	C4	3595	A3	3679	C2	4560	B4	7534	C1
2598	H2	3516	C4	3596	A3	3679	D2	4561	B4	7535	A1
2601	H2	3517	B5	3597	B3	3680	D3	4562	B3	7536	B2
2602	C2	3518	B5	3598	B3	3682	D1	4563	A3	7539	C2
2603	C1	3519	A5	3600	B3	3683	C1	4564	A3	7541	D1
2604	C1	3521	B4	3601	C2	3684	C1	4565	A3	7543	C1
2605	C2	3522	C4	3602	C2	3685	C3	4566	A3	7544	D2
2606	C2	3523	B3	3603	C1	3686	B4	4567	A5	7545	D2
2607	C1	3524	C4	3604	C1	3687	C4	4568	A2	7551	D3
2608	C1	3525	B1	3605	C2	3688	B5	4569	D2	7553	D3
2611	C2	3526	B1	3606	C2	3680	B5	4570	A2		
2612	C2	3527	A1	3607	C1	3690	C4	4571	A2		
2613	C1	3528	A1	3608	C1	3691	B4	4572	A2		
2614	C1	3529	A1	3609	C1	3692	D3	4573	A2		
2615	C1	3530	A1	3610	C1	3693	C4	4574	B2		
2616	C1	3531	A4	3611	C2	3694	D4	4575	B2		
2617	C1	3532	B4	3612	C2	3695	D3	4576	B2		
2618	C1	3533	A4	3613	C2	3697	D3	4577	B2		
2625	A4	3534	B4	3614	C2	3698	D3	4578	B3		
2626	A4	3535	A5	3615	C2	3699	D3	4579	C3		
2633	B1	3536	A5	3616	C2	3701	B4	4580	C3		
2634	B1	3537	A5	3617	C2	3702	C4	4581	C2		
2635	B1	3538	B4	3618	C2	3648	D3	4582	D3		
2636	B1	3541	A5	3619	C2	3850	C3	4583	D1		
2637	B1	3542	A5	3620	C2	3851	C3	4584	C1		
2638	B1	3543	A5	3621	C1	3852	D2	4585	C1		
2639	B1	3544	B5	3622	C1	3853	D2	4586	C1		
2642	C1	3545	C5	3623	C1	4508	D2	4587	C1		
2649	A1	3546	C5	3624	C1	4510	B5	4588	B1		
2650	B2	3547	C5	3625	C1	4511	B4	4589	B1		
2651	D2	3548	C5	3626	C1	4512	C4	4590	B1		
2652	D2	3550	C2	3627	C1	4513	D3	4591	A1		
2656	C5	3551	A5	3628	C1	4514	A5	4592	A1		
2657	C5	3552	A5	3631	A1	4515	A5	4593	A1		
2652	C1	3553	A5	3632	B1	4516	A4	4594	A1		
2653	C1	3555	B5	3633	A1	4517	A4	4595	A1		

This assembly drawing shows a summary of all possible versions. For components used in a specific version see schematic diagram and respective parts list.

3139 113 3425 pt1 dd wk0008

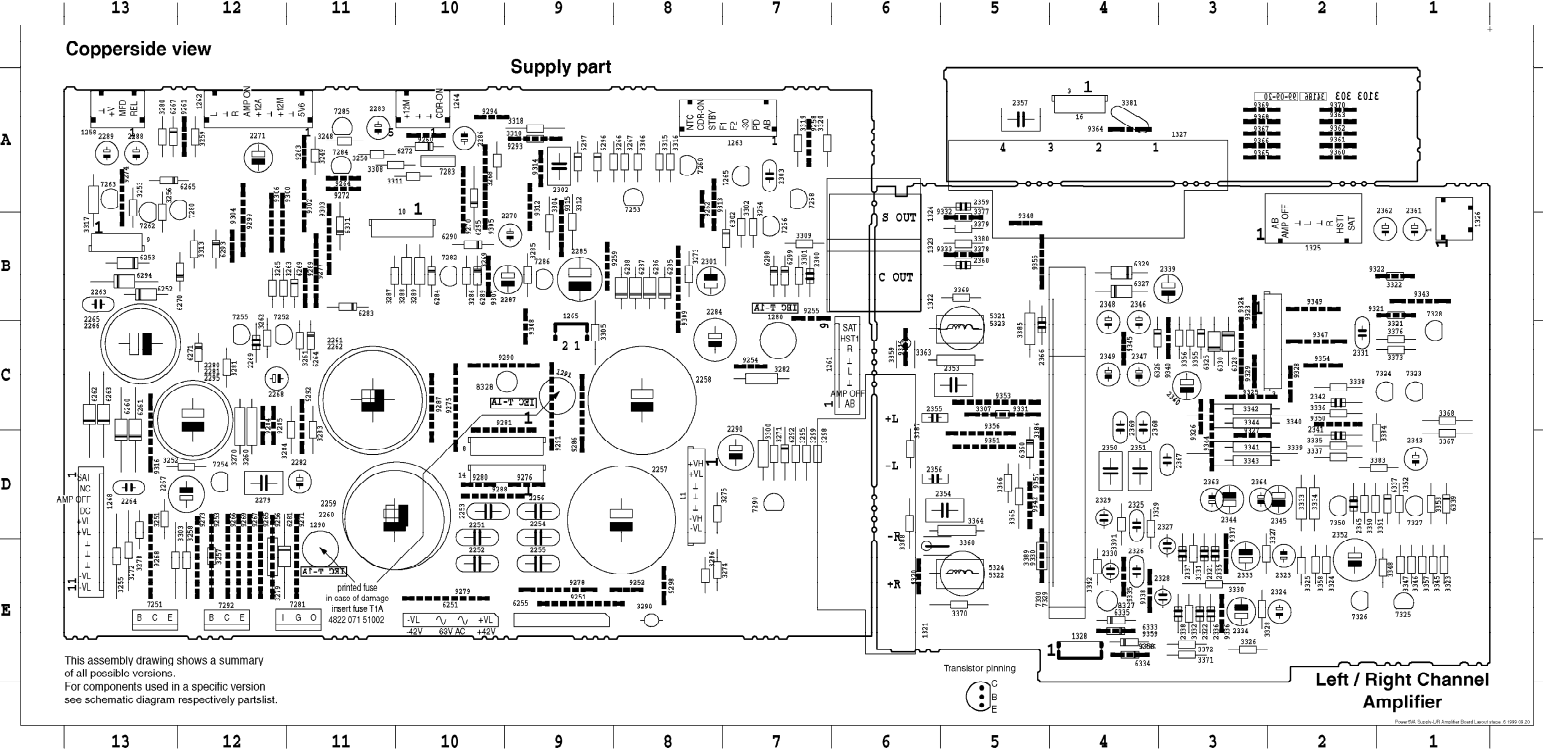
COMPONENT LAYOUT SUPPLY PART & L/R AMPLIFIER PART

Table listing component part numbers and locations (e.g., 9 C 2 1921 D 6 9580 D 11 2284 C 8 2926 E 4 2044 D 9 2968 B 1 9857 E 12 9276 D 8 3699 D 7 9917 A 10 3334 D 2 9966 D 1 3372 E 9 8921 C 6 6871 C 12 6588 B 7 7261 E 13 7286 B 9 9954 C 7 6272 A 11 9291 C 9 8014 A 6 9030 B 6 9985 B 6 1322 B 6 2291 C 11 2285 B 9 2357 E 4 2346 D 2 2993 D 3 3298 E 12 3278 D 13 3300 D 7 3318 A 9 3335 D 2 3355 D 1 3373 C 1 5322 E 6 6272 A 10 6289 B 7 7252 C 12 7292 D 7 9245 B 7 9273 E 12 9292 C 11 9316 B 9 9338 E 4 9350 D 5 10 B 10 1924 B 6 2282 C 11 2286 A 10 2328 E 4 2347 C 4 2368 D 2 3259 A 12 3279 E 12 3301 B 7 3319 A 7 3336 C 2 3355 C 3 3376 C 1 5323 C 5 6281 E 12 6301 B 11 7253 A 8 7292 E 12 9256 E 12 9274 A 13 9293 A 9 9316 D 13 9338 E 3 9357 D 5 11 D 6 1927 B 2 2294 D 13 2288 A 13 2330 E 4 2348 C 4 2300 C 5 3351 C 11 3381 C 12 3303 E 13 3361 B 1 3339 D 2 3357 E 1 3378 D 5 0511 E 10 0204 B 10 0365 C 3 7253 C 12 7324 C 1 9258 B 9 9270 D 9 9288 E 8 9320 C 9 9338 E 4 9350 E 4 14 D 9 1326 B 1 2265 C 13 2289 A 13 2331 C 2 2349 C 4 2367 D 3 3282 C 12 3282 C 7 3304 B 9 3322 B 1 3339 D 2 3358 E 2 3379 B 5 6282 B 13 6285 B 8 6326 C 4 7250 A 8 7325 E 1 9260 A 10 9277 B 11 9289 B 12 9321 B 1 9340 C 3 9360 A 2 16 A 4 1927 A 4 2296 C 13 2290 D 7 2353 E 3 2350 D 4 2368 C 4 3363 B 12 3363 D 11 3305 C 9 3323 F 1 3340 C 2 3356 C 6 3360 A 5 6263 H 13 6386 R 8 6397 R 4 7269 B 13 7295 F 2 9061 A 12 9278 F 8 9330 B 12 9329 B 1 9340 D 5 9361 A 2 1366 A 13 1368 E 4 2297 D 12 2305 C 12 2304 E 3 2361 D 4 2366 C 4 3365 B 12 3364 D 11 3306 A 8 3364 E 2 3341 D 3 3360 E 6 3381 A 4 6266 E 9 6267 B 8 6268 C 3 7263 A 13 7387 D 1 9062 A 8 9276 E 10 9302 A 11 9323 B 9 9344 B 1 9362 A 2 1261 C 6 2251 D 10 2266 C 12 2300 B 7 2335 E 3 2352 E 2 3248 A 11 3256 A 6 3285 B 9 3307 C 5 3325 E 2 3342 C 3 3363 C 5 3363 D 1 6260 D 13 6288 B 8 6329 B 4 7265 A 7 7328 C 1 9263 A 11 9280 D 10 9303 B 11 9324 C 3 9344 D 3 9363 A 2 1262 A 12 2262 E 10 2269 C 12 2301 B 8 2336 E 3 2353 C 5 3248 A 11 3267 A 8 3286 B 10 3308 A 10 3329 E 2 3343 D 3 3364 D 5 3364 D 1 6261 D 13 6289 B 10 6330 C 3 7266 B 7 7325 D 4 9264 A 11 9281 D 10 9304 B 12 9325 C 3 9345 C 4 9364 A 4 1263 A 7 2293 D 10 2270 B 9 2302 A 9 2337 E 3 2354 D 5 3259 A 11 3268 A 10 3287 B 11 3309 B 7 3327 E 2 3344 C 3 3365 D 5 3365 C 5 6262 C 13 6260 B 10 6293 E 4 7266 A 7 7320 C 4 9265 E 12 9284 C 12 9305 A 10 9326 C 2 9347 C 2 9365 A 3 1264 A 10 2264 D 9 2271 A 12 2303 A 7 2336 E 3 2352 C 6 3251 D 13 3269 D 10 3310 A 9 3380 C 3 3340 C 1 3360 D 6 6203 C 13 6282 D 7 0334 C 4 7260 A 12 7350 D 2 9200 C 12 9265 C 12 9300 D 12 9327 C 3 9348 D 5 9360 A 3 1265 U 9 2265 F 6 2279 D 12 2321 J 9 2339 E 2 2355 E 6 3256 D 12 3270 C 12 3289 E 10 3311 A 10 3329 U 4 3346 E 1 3367 U 9 3367 U 9 6264 U 11 6269 D 12 6326 U 2 7261 E 11 8627 E 4 9269 E 12 9286 C 9 9307 D 10 9328 D 2 9348 D 2 9367 A 3 1266 B 13 2266 D 9 2292 C 12 2302 C 3 2340 D 2 2357 A 5 3253 A 13 3271 D 7 3260 F 8 3312 B 9 3360 E 5 3347 F 1 3366 C 1 3366 D 6 6265 A 13 6264 B 13 6266 A 4 7262 B 10 9296 C 9 9068 F 13 9067 C 10 9306 C 9 9309 C 3 9350 C 2 9366 A 3 1269 C 7 2267 D 8 2281 C 12 2323 E 2 2341 D 2 2360 A 5 3254 B 7 3272 E 10 3265 D 7 9310 B 12 9331 E 3 9348 E 1 3360 E 5 6267 A 13 6206 A 10 6307 D 1 7263 A 10 0261 E 0 0260 E 12 0288 D 10 0300 B 8 0300 E 5 0361 D 5 0360 A 3 1280 E 11 2268 C 8 2282 D 11 2324 E 2 2342 D 2 2360 D 5 3255 E 13 3273 B 8 3286 E 7 3315 A 8 3332 E 3 3350 D 2 3370 E 5 3381 D 4 6269 B 11 6286 A 9 6339 D 1 7264 A 11 8252 E 6 9270 A 10 9289 B 11 9312 A 9 9331 C 5 9353 C 5 9370 A 2 1291 C 9 2269 D 10 2283 A 11 2325 D 4 2343 D 1 2361 B 1 3256 B 13 3274 F 8 3296 D 7 3316 A 9 3353 D 2 3361 D 2 3371 E 3 3392 F 4 6270 B 12 6287 A 9 6360 D 5 7265 A 11 6255 E 12 6271 E 11 9290 C 10 9313 A 6 9332 B 5 9364 C 2



COMPONENT LAYOUT SUPPLY PART & L/R AMPLIFIER PART

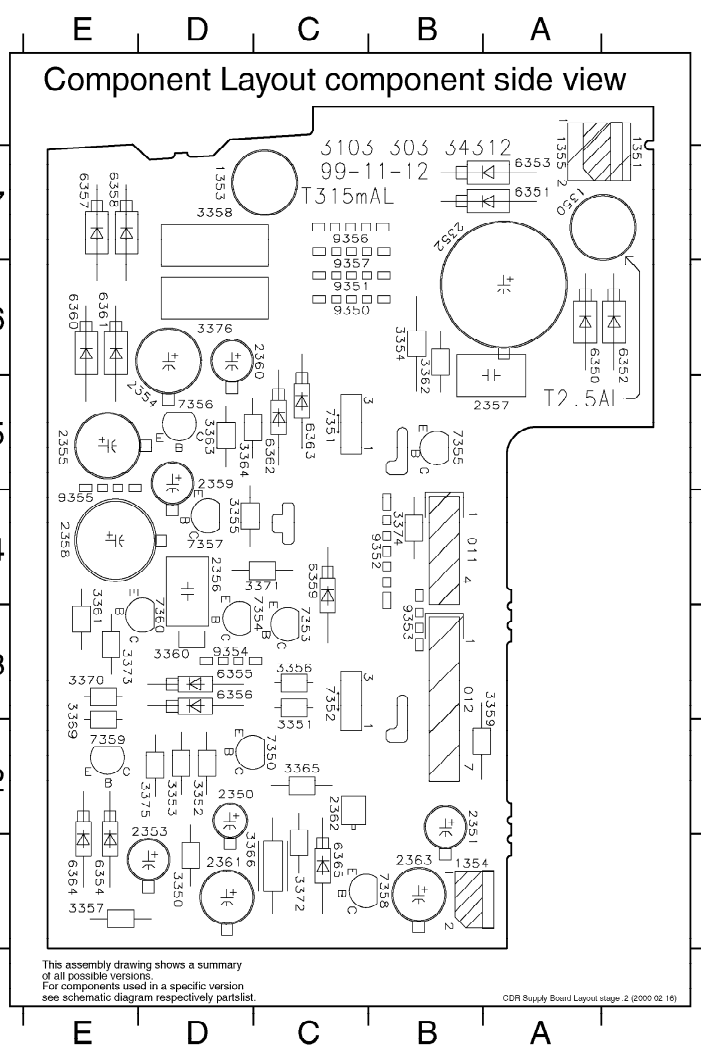
Table listing component part numbers and their corresponding grid coordinates (e.g., 3 C 2, 1321 D 6, 2250 D 11, etc.)



This assembly drawing shows a summary of all possible versions. For components used in a specific version see schematic diagram respectively partlist.



Printed in Germany by the Siemens AG, Munich, Germany. © 1964 Siemens AG



- U 11 B4
- 012 B3
- 1390 A7
- 1351 A7
- 1353 D7
- 1354 B1
- 1355 A7
- 2350 D2
- 2351 B2
- 2352 B7
- 2353 E2
- 2354 E5
- 2355 E5
- 2356 D4
- 2357 B5
- 2358 E4
- 2359 D5
- 2360 D6
- 2361 D1
- 2362 C2
- 2363 B1
- 2364 D1
- 2365 C2
- 2366 D2
- 2367 D2
- 2368 U6
- 2369 U6
- 2370 U6
- 2371 U6
- 2372 U6
- 2373 U6
- 2374 U6
- 2375 U6
- 2376 U6
- 2377 U6
- 2378 U6
- 2379 U6
- 2380 U6
- 2381 U6
- 2382 U6
- 2383 U6
- 2384 U6
- 2385 U6
- 2386 U6
- 2387 U6
- 2388 U6
- 2389 U6
- 2390 U6
- 2391 U6
- 2392 U6
- 2393 U6
- 2394 U6
- 2395 U6
- 2396 U6
- 2397 U6
- 2398 U6
- 2399 U6
- 2400 U6

